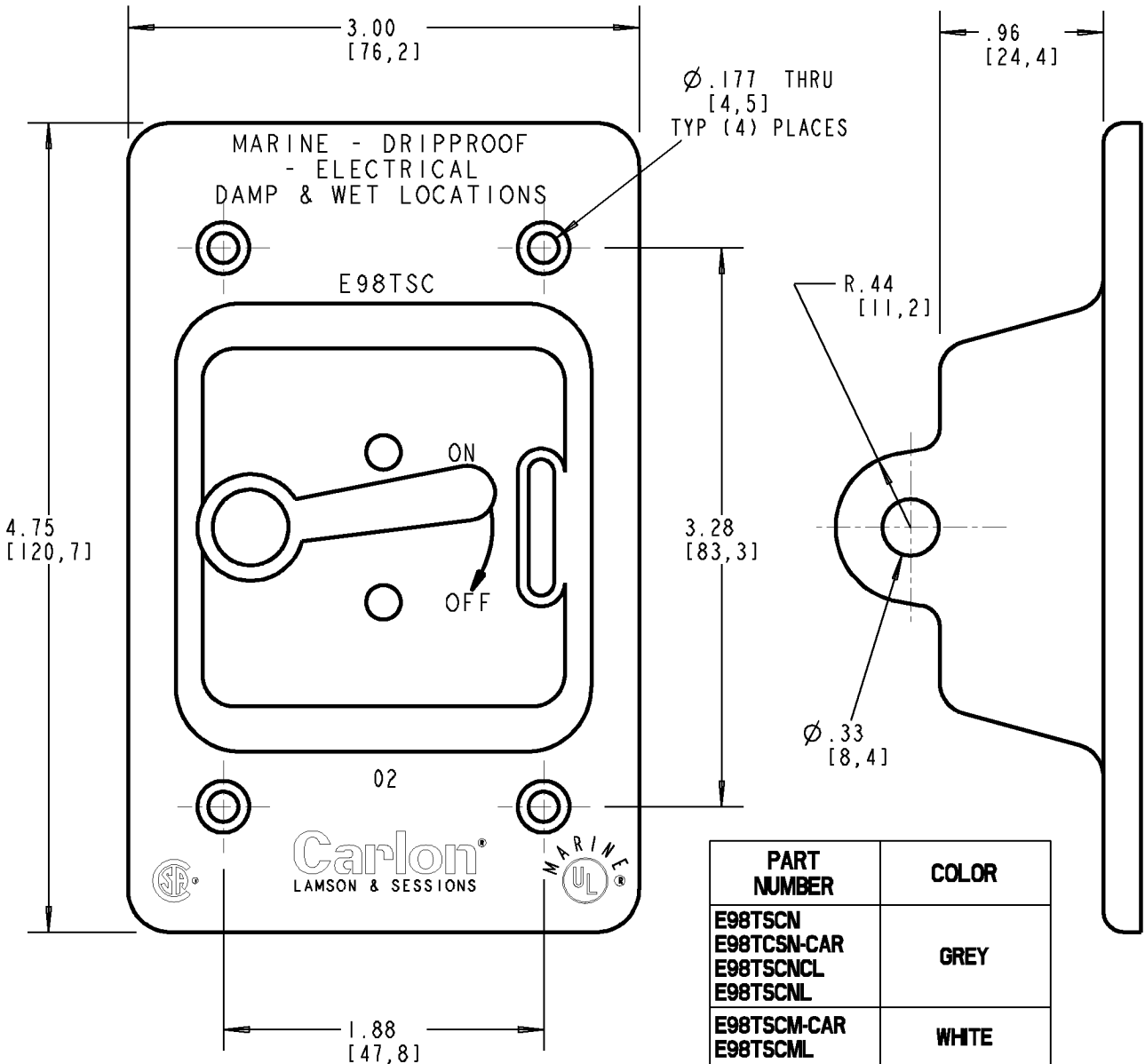


# Carlton®

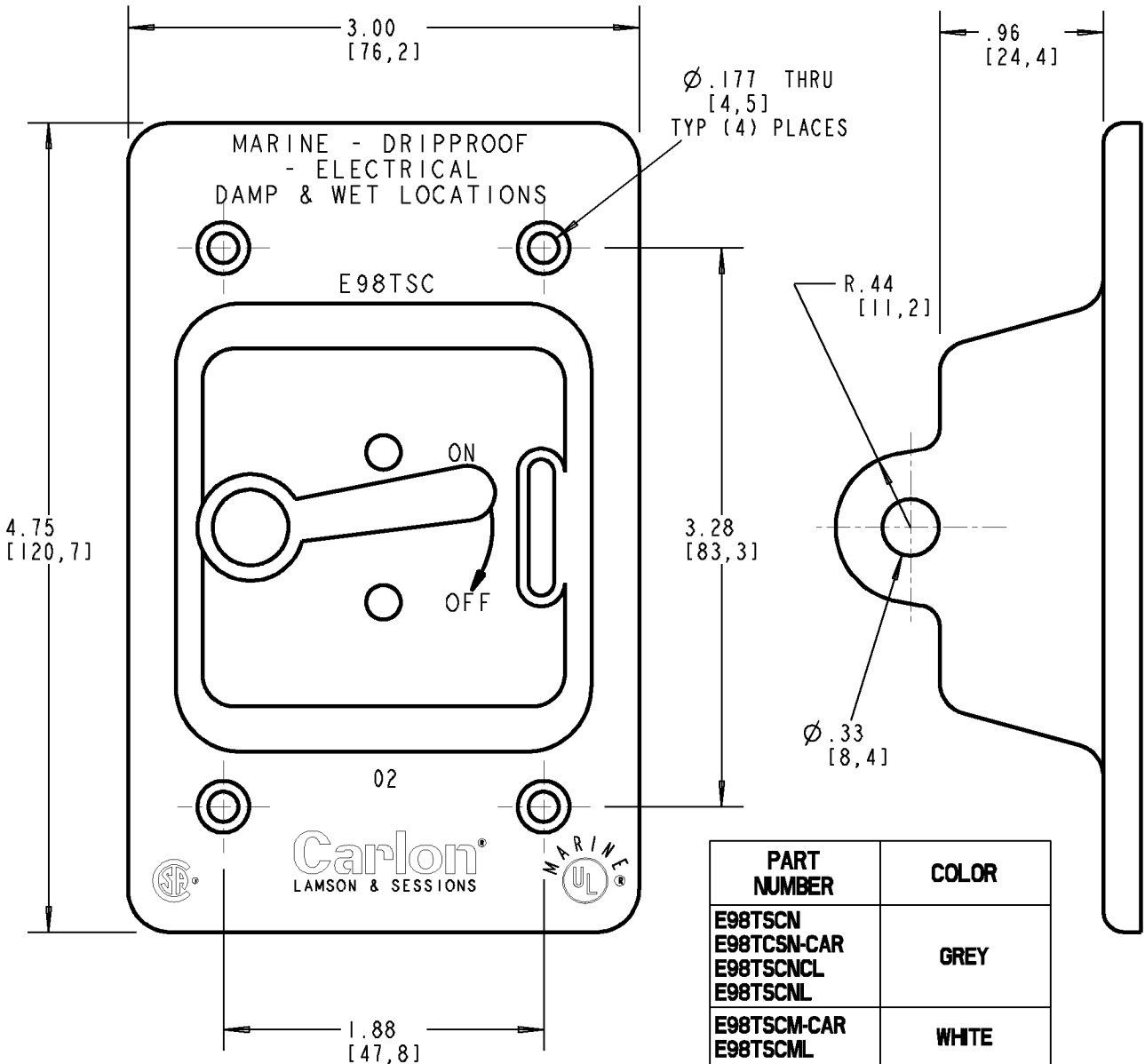


PART NUMBER	COLOR
E98TSCN E98TSCN-CAR E98TSCNCL E98TSCNL	GREY
E98TSCM-CAR E98TSCML	WHITE

**NOTE:**  
GASKET AND MOUNTING SCREWS INCLUDED

GENERAL NOTES		<b>Thomas &amp; Betts</b> <small>www.tnb.com</small>			
1. ALL DIMENSIONS ARE FOR REFERENCE ONLY. 2. DIMENSIONS IN BRACKETS [ ] ARE IN METRIC UNITS.		<b>DESCRIPTION: SINGLE GANG TOGGLE COVER WEATHERPROOF</b>			
REVISIONS		ORIGINAL PROJECT NO / ( ERN NO )	SHEET NO:	REV. NO:	DRAWING NO:
*** SEE ERN ( **** ) FOR APPROVAL SIGNATURES & RELEASE DATE. PROJECT NO: ****		/ ( )	1 OF 1	D	<b>WSD-AC02732</b>

# Carlton®



PART NUMBER	COLOR
E98TSCN E98TSCN-CAR E98TSCNCL E98TSCNL	GREY
E98TSCM-CAR E98TSCML	WHITE

**NOTE:**  
GASKET AND MOUNTING SCREWS INCLUDED

GENERAL NOTES		<b>Thomas &amp; Betts</b> <small>www.tnb.com</small>			
1. ALL DIMENSIONS ARE FOR REFERENCE ONLY. 2. DIMENSIONS IN BRACKETS [ ] ARE IN METRIC UNITS.		<b>DESCRIPTION: SINGLE GANG TOGGLE COVER WEATHERPROOF</b>			
REVISIONS		ORIGINAL PROJECT NO / ( ERN NO )	SHEET NO:	REV. NO:	DRAWING NO:
*** SEE ERN ( **** ) FOR APPROVAL SIGNATURES & RELEASE DATE. PROJECT NO: ****		/ ( )	1 OF 1	D	<b>WSD-AC02732</b>