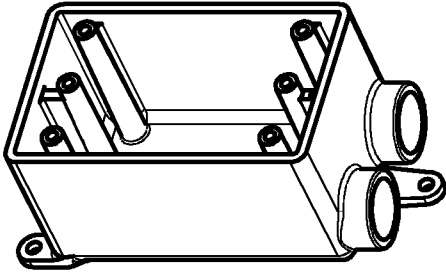
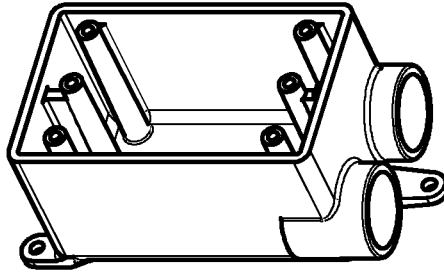




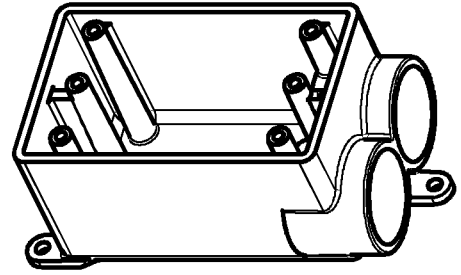
Carlton®



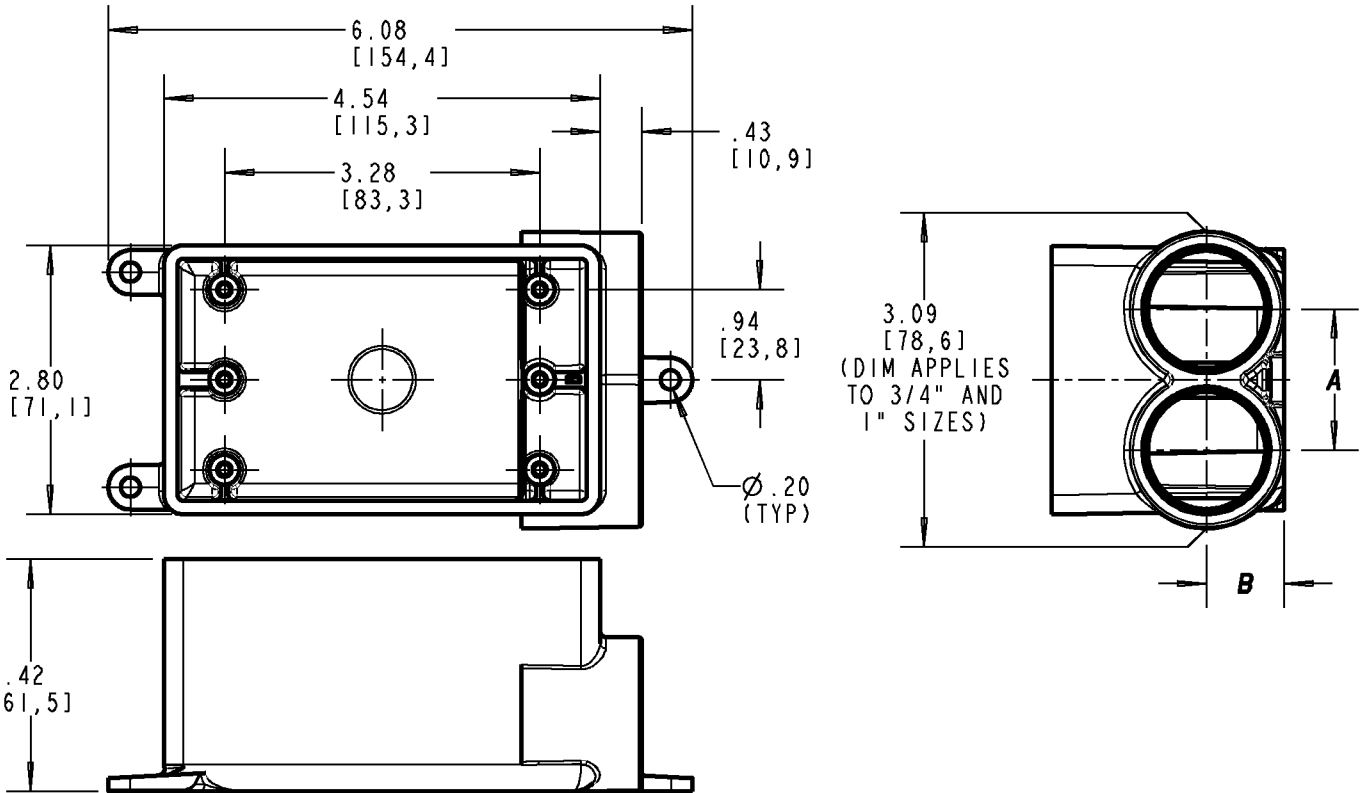
1/2"



3/4"



1"



PART NO.	CONDUIT SIZE	VOLUME CU. IN. (ML)	DIM. A	DIM. B
E982DFN E982DFN-CTN E982DFNL E982DFNL-4	1/2" [16]	18 [295]	1.53 [38.9]	.568 [14.4]
E982EFN E982EFN-CTN E982EFNL E982EFNL-4	3/4" [21]	18 [295]	1.20 [30.6]	.672 [17.1]
E982FFN E982FFN-CTN	1" [27]	18 [295]	1.47 [44.2]	.805 [20.4]

GENERAL NOTES

- ALL DIMENSIONS ARE FOR REFERENCE ONLY.
- DIMENSIONS IN BRACKETS [] ARE IN METRIC UNITS.

REVISIONS

C SEE ERN 2015298
FOR APPROVAL SIGNATURES
& RELEASE DATE.
PROJECT NO: 5AM000012

Thomas & Betts
www.tnb.com

DESCRIPTION: **FS BOXES - 1/2", 3/4" & 1" TWO PORTS
ONE SIDE (1" SIZE SHOWN)**

ORIGINAL PROJECT NO / (ERN NO)
/ ()

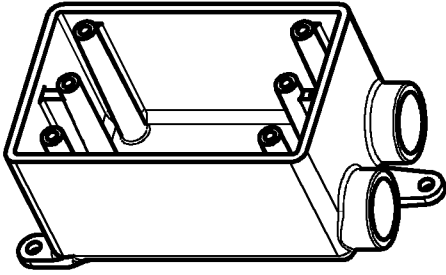
SHEET NO:
1 OF 1

REV. NO:
C

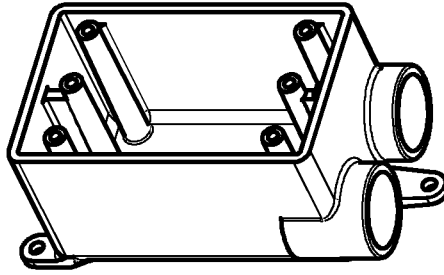
DRAWING NO:
WSD-AC02250



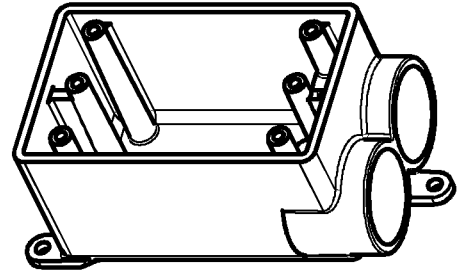
Carlton®



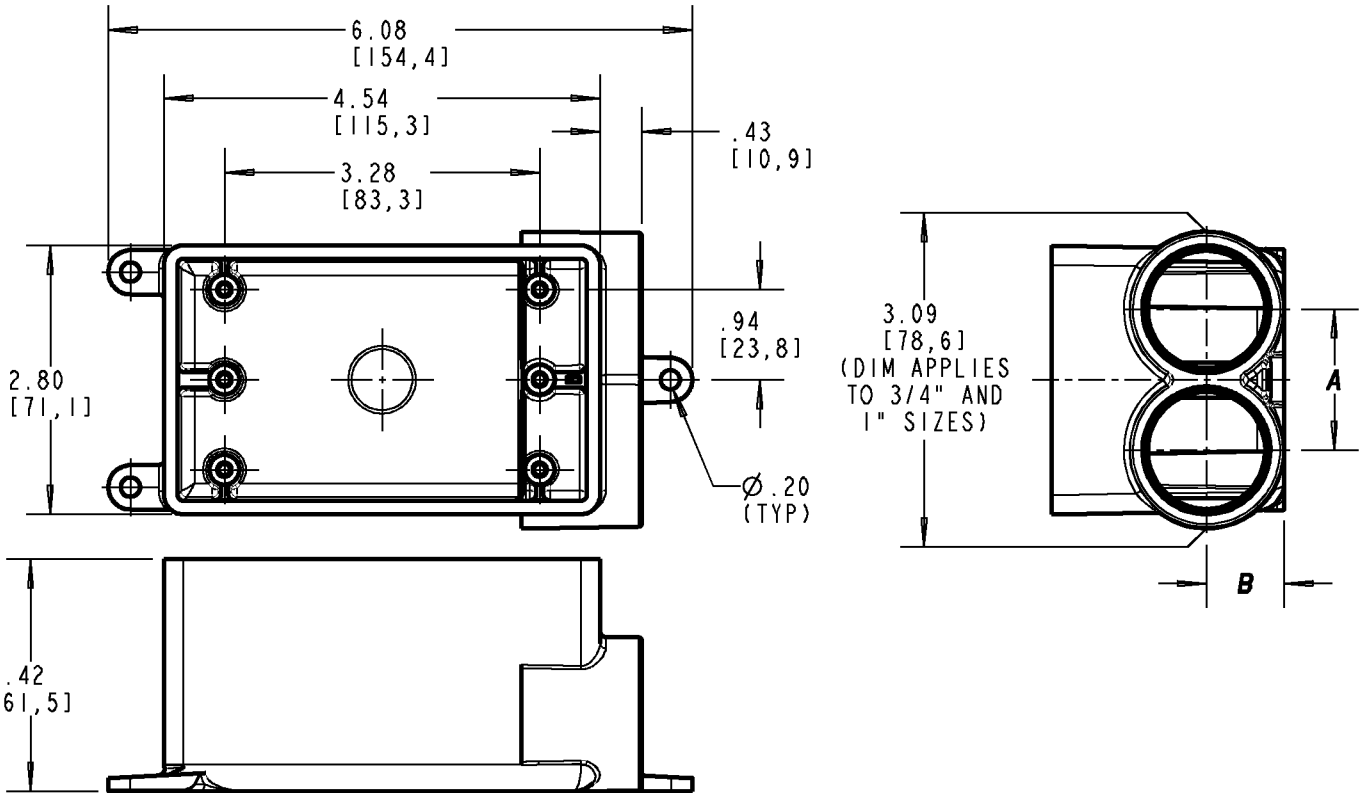
1/2"



3/4"



1"



PART NO.	CONDUIT SIZE	VOLUME CU. IN. (ML)	DIM. A	DIM. B
E982DFN E982DFN-CTN E982DFNL E982DFNL-4	1/2" [16]	18 [295]	1.53 [38.9]	.568 [14.4]
E982EFN E982EFN-CTN E982EFNL E982EFNL-4	3/4" [21]	18 [295]	1.20 [30.6]	.672 [17.1]
E982FFN E982FFN-CTN	1" [27]	18 [295]	1.47 [44.2]	.805 [20.4]

GENERAL NOTES

- ALL DIMENSIONS ARE FOR REFERENCE ONLY.
- DIMENSIONS IN BRACKETS [] ARE IN METRIC UNITS.

REVISIONS

C SEE ERN 2015298 FOR APPROVAL SIGNATURES & RELEASE DATE.
PROJECT NO: 5AM000012

Thomas & Betts
www.tnb.com

DESCRIPTION: **FS BOXES - 1/2", 3/4" & 1" TWO PORTS ONE SIDE (1" SIZE SHOWN)**

ORIGINAL PROJECT NO / (ERN NO)
/ ()

SHEET NO:
1 OF 1

REV. NO:
C

DRAWING NO:
WSD-AC02250