

HazMax Pinnacle/al



FEATURES

- Fluorescent system provides energy savings up to 50% when compared to HID.
- Multi voltage electronic ballast resistant to brownouts or voltage and frequency fluctuations.
- Field replaceable lens and gasket.
- Acrylic lens withstands constant exposure to sunlight and contact with petroleum based products.
- Neoprene gasket resists petroleum.
- Permanent safety cable mounting points at each end.
- Fixture may be mounted horizontally or vertically and rotated up to 270°.
- Tool less entry via heavy duty twist draw latches.
- Lens frame hinged on side for easy lamp replacement.
- Spring loaded lamp holders, for linear lamps resist shock and vibration.
- Optional self contained emergency battery backup ballasts.
- Optional certified test switch on emergency models.

APPLICATIONS

- Hazardous locations
- Watertight requirements
- Dusttight requirements
- Oil and gas exploration and production
- Waste water treatment plants
- Pipeline compressor / pumping & storage
- Maintenance & lubrication pits
- Petrochemical facilities
- High abuse areas

APPROVALS

- Class I Division 2 Groups A, B, C & D
- Class I Zone 2 Groups IIA, IIB & IIC
- Class II Division 2 Groups F & G
- Class III
- Type 4
- Conforms to IP66

STANDARDS

- UL 844 - Hazardous Locations
- UL 1598 - Luminaires
- CSA - Class 3428 03
- CSA - Class 3428 83

TECHNICAL SPECIFICATIONS

HOUSING

Extruded aluminum with cast end caps.

LENS

0.125 inch thick clear acrylic, optional polycarbonate.

REFLECTOR

Aluminum parabolic with an electrostatically applied powder coat finish. Minimum 90% reflectance.

GASKET

One piece neoprene.

MOUNTING

Optional mounting kits available. Please see MOUNTING OPTIONS.

LATCHES

Plated steel twist draw.

LAMP HOLDER

Double spring loaded on linear models.

ENTRIES

½" NPT feed-through outlets, ¾" NPT outlets optional.

LAMP TYPES

See ORDERING REFERENCES. Lamps not provided.

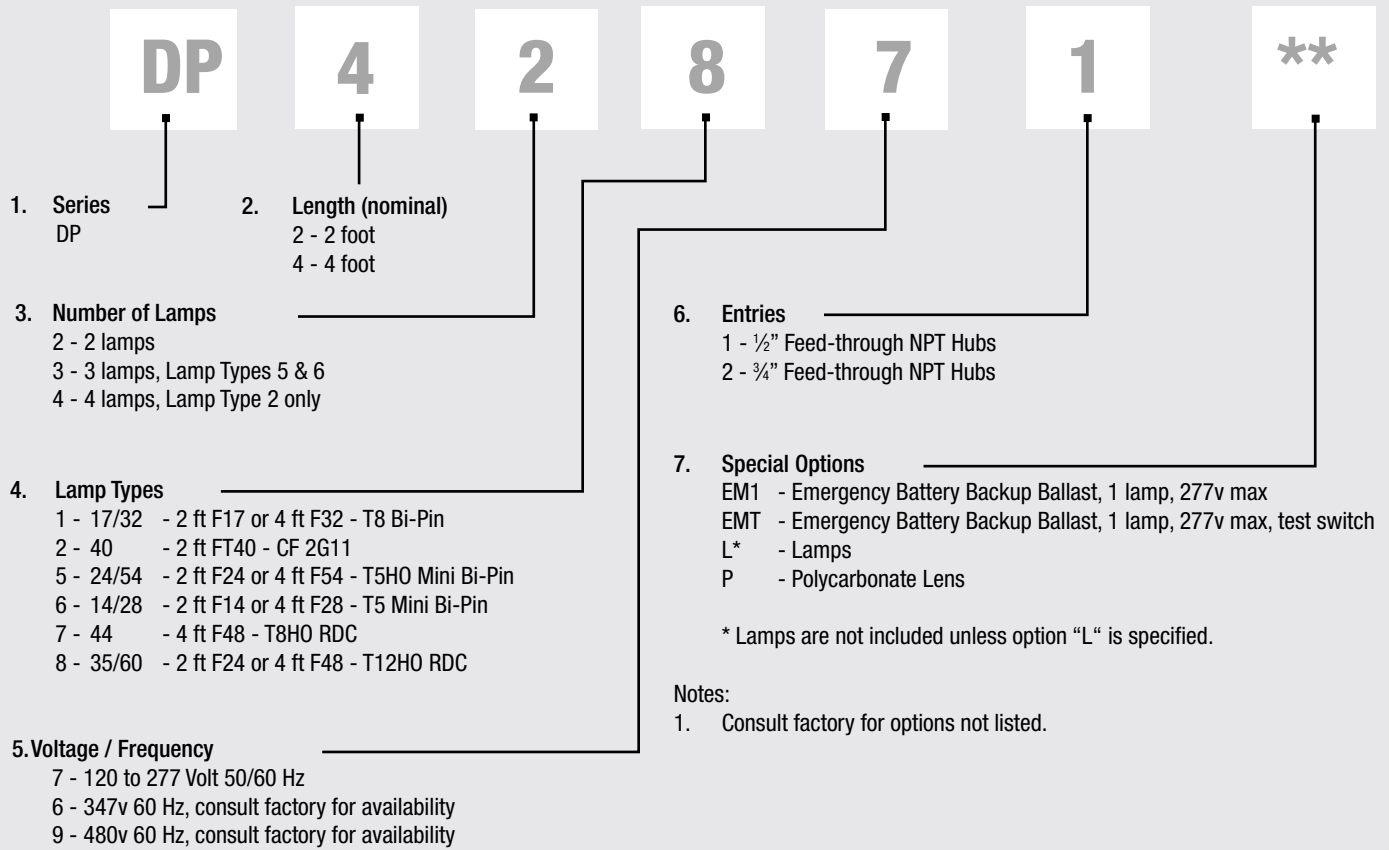
BALLAST

120 to 277 volt 50/60 Hz electronic, optional 347v and 480v.

EMERGENCY BATTERY BACKUP BALLAST

Optional, self contained 90 minute minimum for all lamp types. 120 minutes minimum for F32T8 one lamp. Starting temperature 32°F/0°C.

ORDERING REFERENCES



TEMPERATURE CODES & APPROVALS

| Lamp Wattage | Ballast/Socket Type | ANSI Lamp Code | Class I T-Code | Class I Division 2 | Class II Division 2 | Class III | Class II & III T-Code | Starting Temp | Maximum Ambient* | Supply Wire |
|--------------|---------------------|----------------|----------------|--------------------|---------------------|-----------|-----------------------|---------------|------------------|-------------|
| 17 | T8 Bi-Pin G13 | F17-T8 | T5 | A,B,C & D | F & G | Yes | T3C | 0°F / -18°C | 55°C | 90°C |
| 32 | T8 Bi-Pin G13 | F32-T8 | T5 | A,B,C & D | F & G | Yes | T3C | -20°F / -29°C | 55°C | 90°C |
| 40 | 4 Pin 2G11 | FT40-CF | T5 | A,B,C & D | F & G | Yes | T3C | 0°F / -18°C | 55°C | 90°C |
| 24/54 | T5HO Mini Bi-Pin G5 | F24/F54-T5HO | T5 | A,B,C & D | N/A | No | N/A | -20°F / -29°C | 40°C | 90°C |
| 14/28 | T5 Mini Bi-Pin G5 | F14/F28-T5 | T5 | A,B,C & D | F & G | Yes | T3C | 0°F / -18°C | 40°C | 90°C |
| 44 | T8HO RDC R17d | F48-T8HO | T4A | A,B,C & D | F & G | Yes | T3C | -20°F / -29°C | 40°C | 90°C |
| 35/60 | T12HO RDC R17d | F24/F48-T12HO | T4A | A,B,C & D | F & G | Yes | T3C | -20°F / -29°C | 40°C | 90°C |

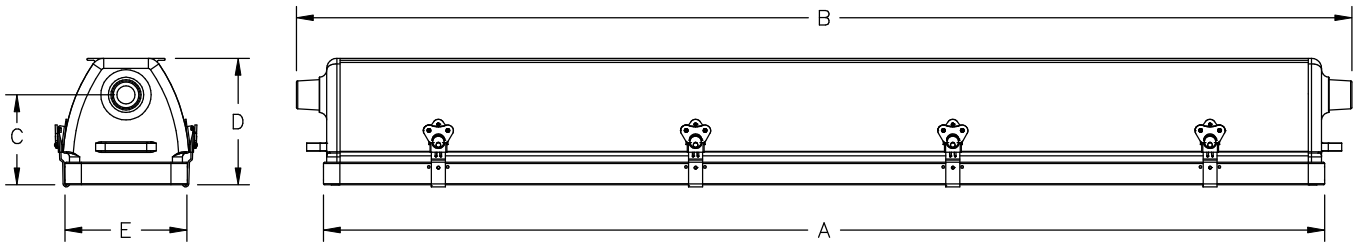
*Consult factory for optional higher ambient models.

HazMax Pinnacle/al

SPARE PARTS

| Part No. | Description | | |
|-----------|---|----------|--|
| FX5350 | BALLAST 120-277V AC 50/60HZ, 1 x 14, F14T5 | FX3568 | LAMP, 24w, F24T5HO |
| FX5350 | BALLAST 120-277V AC 50/60HZ, 1 x 28, F28T5 | FX3567 | LAMP, 54w, F54T5HO |
| FX5307 | BALLAST 120-277V AC 50/60HZ, 1 x 24, F24T5HO | FX3528 | LAMP, 17w, F17T8 |
| FX5305 | BALLAST 120-277V AC 50/60HZ, 1 x 54, F54T5HO | FX3527 | LAMP, 32w, F32T8 |
| FX5174 | BALLAST 120-277V AC 50/60HZ, 1 x 17, F17T8 | FX3565 | LAMP, 44w, F48T8HO |
| FX5221 | BALLAST 120-277V AC 50/60HZ, 1 x 32, F32T8 | FX3507 | LAMP, 35w, F24T12HO |
| FX5349 | BALLAST 120-277V AC 50/60HZ, 1 x 44, F48T8HO | FX3505 | LAMP, 60w, F48T12HO |
| FX5334 | BALLAST 120-277V AC 50/60HZ, 1 x 35, F24T12HO | FX3533 | LAMP, 40w CF, FT40 2G11 |
| FX5334 | BALLAST 120-277V AC 50/60HZ, 1 x 60, F48T12HO | 103-2000 | LENS & FRAME ASSEMBLY, 2 ft. models |
| FX5272 | BALLAST 120-277V AC 50/60HZ, 1 X 40 CF, FT40 2G11 | 103-2001 | DOOR FRAME ONLY, 2 ft. models |
| FX5350 | BALLAST 120-277V AC 50/60HZ, 2 x 14, F14T5 | 103-2100 | LENS ONLY, (acrylic), for 2 ft. models |
| FX5350 | BALLAST 120-277V AC 50/60HZ, 2 x 28, F28T5 | 103-2200 | LENS GASKET, 2 ft. models |
| FX5307 | BALLAST 120-277V AC 50/60HZ, 2 x 24, F24T5HO | 103-2300 | REFLECTOR, 2 ft. models |
| FX5305 | BALLAST 120-277V AC 50/60HZ, 2 X 54, F54T5HO | 035-1060 | Latch assembly |
| FX5340 | BALLAST 120-277V AC 50/60HZ, 2 x 17, F17T8 | 103-4000 | LENS & FRAME ASSEMBLY, 4 ft. models |
| FX5340 | BALLAST 120-277V AC 50/60HZ, 2 x 32, F32T8 | 103-4001 | DOOR FRAME ONLY, 4 ft. models |
| FX5349 | BALLAST 120-277V AC 50/60HZ, 2 x 44, F48T8HO | 103-4100 | LENS ONLY (acrylic), 4 ft. models |
| FX5334 | BALLAST 120-277V AC 50/60HZ, 2 x 35, F24T12HO | 103-4200 | LENS GASKET, 4 ft. models |
| FX5334 | BALLAST 120-277V AC 50/60HZ, 2 x 60, F48T12HO | 103-4300 | REFLECTOR, 4 ft. models |
| FX5272 | BALLAST 120-277V AC 50/60HZ, 2 x 40, FT40 2G11 | 758-0523 | LAMP HOLDER, HO T8 & T12 |
| FX5128HDU | EMERGENCY BATTERY BACKUP BALLAST, EM1/EMT1, 120v-277v, CF, T8, T8HO & T12HO | 752-6051 | LAMP HOLDER, 2G11, 4 Pin |
| FX5346HDU | EMERGENCY BATTERY BACKUP BALLAST, EM1/EMT1, 120v-277v, T5 & T5HO | 754-7102 | LAMP HOLDER, T12 & T8, Bi-Pin |
| FX3573 | LAMP, 14w, F14T5 | 754-0005 | LAMP HOLDER, T5 HO, fixed & spring set |
| FX3574 | LAMP, 28w, F28T5 | | |

DIMENSIONS



| Nominal Length | Dimensions in Inches / Centimeters | | | | | Carton L x W x D inches | Nominal Weight | |
|----------------|------------------------------------|--------------|------------|------------|------------|-------------------------|----------------|-------|
| | A | B | C | D | E | | Lbs | Kg |
| 2 Foot | 26.0 / 66.0 | 27.6 / 70.2 | 4.4 / 11.1 | 6.3 / 16.0 | 6.5 / 16.5 | 8¼ X 6¼ X 31⅞ | 23.0 | 10.4 |
| 4 Foot | 50.0 / 127.0 | 51.6 / 131.1 | 4.4 / 11.1 | 6.3 / 16.0 | 6.5 / 16.5 | 10 X 8 X 56 | 32.0 | 14.55 |

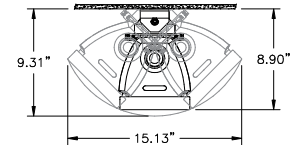
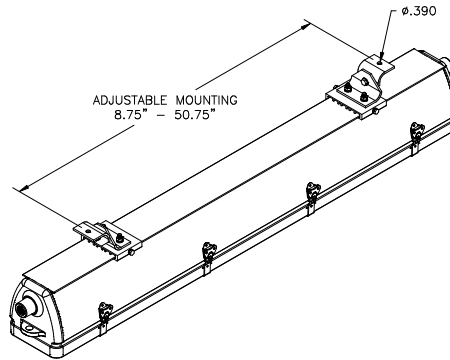
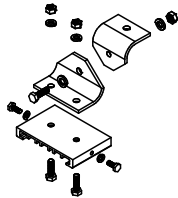
MOUNTING OPTIONS

DP1050MTK*

Back mount swivel kit.

2 aluminum brackets with slide mount.

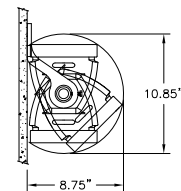
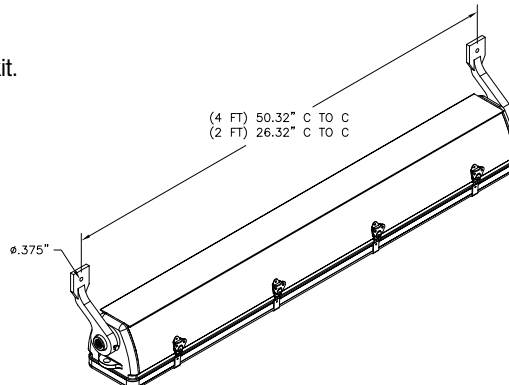
*Add suffix PS for plated steel swivel brackets.



DP1052MTK

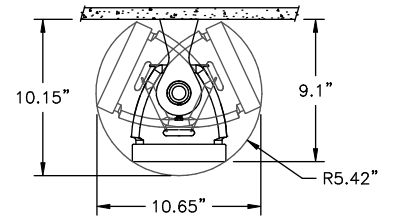
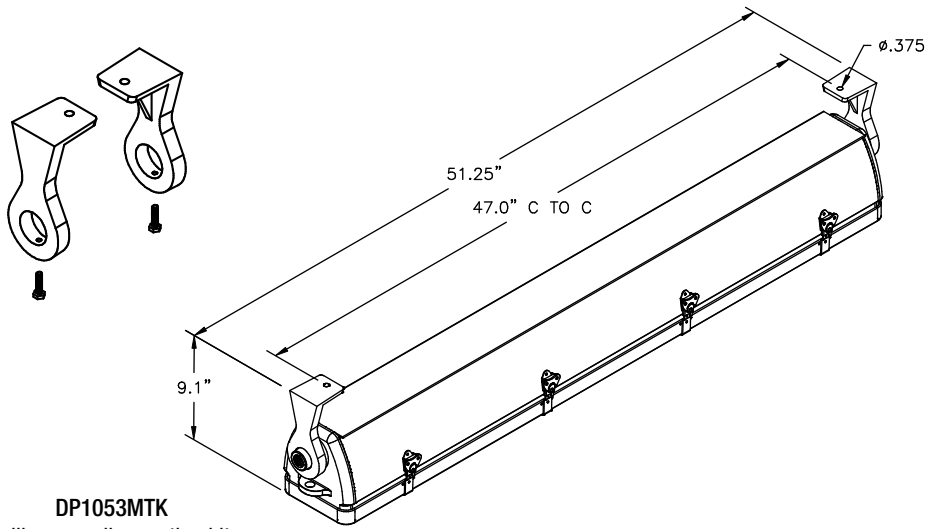
Offset wall or ceiling mounting kit.

2 cast aluminum brackets.

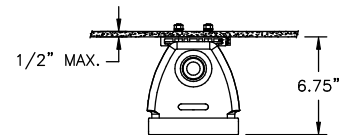
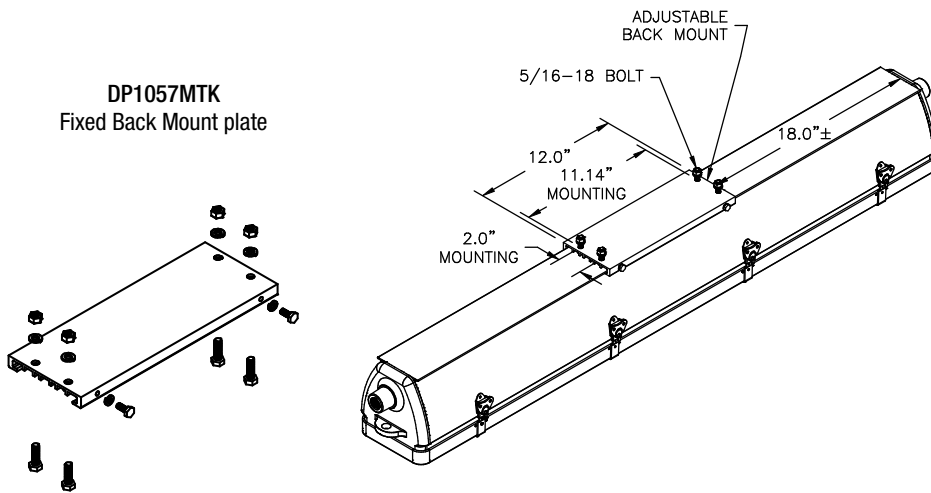


HazMax Pinnacle/al

MOUNTING OPTIONS



DP1053MTK
Ceiling or wall mounting kit.
2 Cast aluminum brackets.



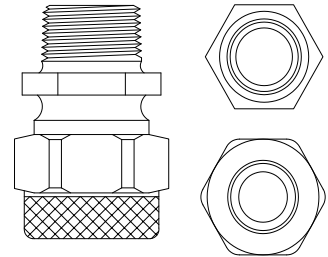
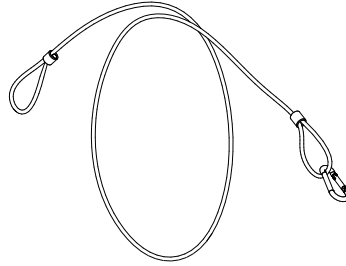
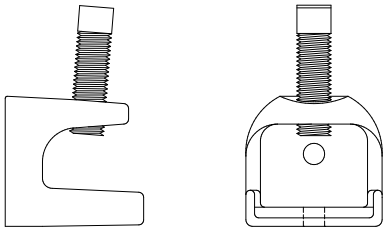
DP1057MTK
Fixed Back Mount plate

MOUNTING OPTIONS

FX7028

Beam Clamp Kit

Includes Beam clamps (2), Safety Cable & Cable Gland.



BC2K

2 Beam Clamp Kit.

For use with Surface mount kit.

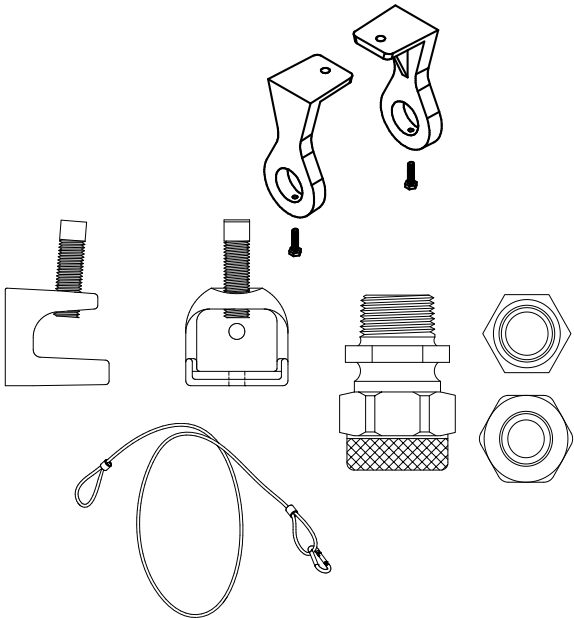
SC30H

48" Safety Cable with snap hook.

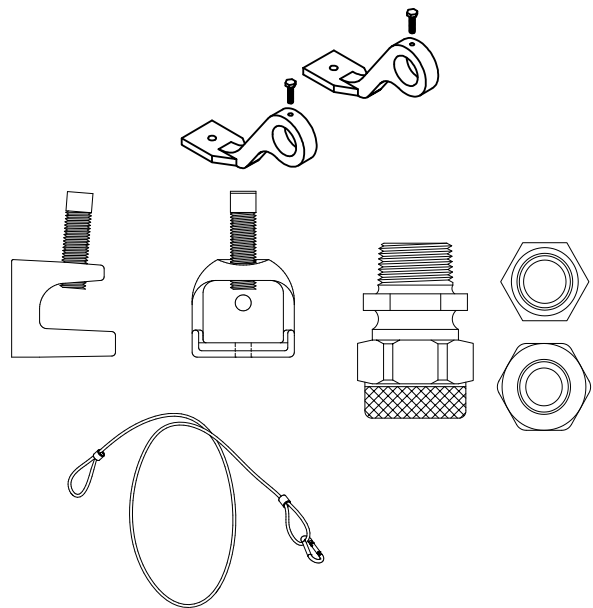
CX1502

Cable Gland 3/4" Aluminum,
Cord Grip Range .438 - .562.

DP-STKT
Includes FX7028 and DP1053MTK.



DP-OFKT
Includes FX7028 and DP1052MTK.



HazMax Pinnacle/al



FEATURES

- Fluorescent system provides energy savings up to 50% when compared to HID.
- Multi voltage electronic ballast resistant to brownouts or voltage and frequency fluctuations.
- Field replaceable lens and gasket.
- Acrylic lens withstands constant exposure to sunlight and contact with petroleum based products.
- Neoprene gasket resists petroleum.
- Permanent safety cable mounting points at each end.
- Fixture may be mounted horizontally or vertically and rotated up to 270°.
- Tool less entry via heavy duty twist draw latches.
- Lens frame hinged on side for easy lamp replacement.
- Spring loaded lamp holders, for linear lamps resist shock and vibration.
- Optional self contained emergency battery backup ballasts.
- Optional certified test switch on emergency models.

APPLICATIONS

- Hazardous locations
- Watertight requirements
- Dusttight requirements
- Oil and gas exploration and production
- Waste water treatment plants
- Pipeline compressor / pumping & storage
- Maintenance & lubrication pits
- Petrochemical facilities
- High abuse areas

APPROVALS

- Class I Division 2 Groups A, B, C & D
- Class I Zone 2 Groups IIA, IIB & IIC
- Class II Division 2 Groups F & G
- Class III
- Type 4
- Conforms to IP66

STANDARDS

- UL 844 - Hazardous Locations
- UL 1598 - Luminaires
- CSA - Class 3428 03
- CSA - Class 3428 83

TECHNICAL SPECIFICATIONS

HOUSING

Extruded aluminum with cast end caps.

LENS

0.125 inch thick clear acrylic, optional polycarbonate.

REFLECTOR

Aluminum parabolic with an electrostatically applied powder coat finish. Minimum 90% reflectance.

GASKET

One piece neoprene.

MOUNTING

Optional mounting kits available. Please see MOUNTING OPTIONS.

LATCHES

Plated steel twist draw.

LAMP HOLDER

Double spring loaded on linear models.

ENTRIES

½" NPT feed-through outlets, ¾" NPT outlets optional.

LAMP TYPES

See ORDERING REFERENCES. Lamps not provided.

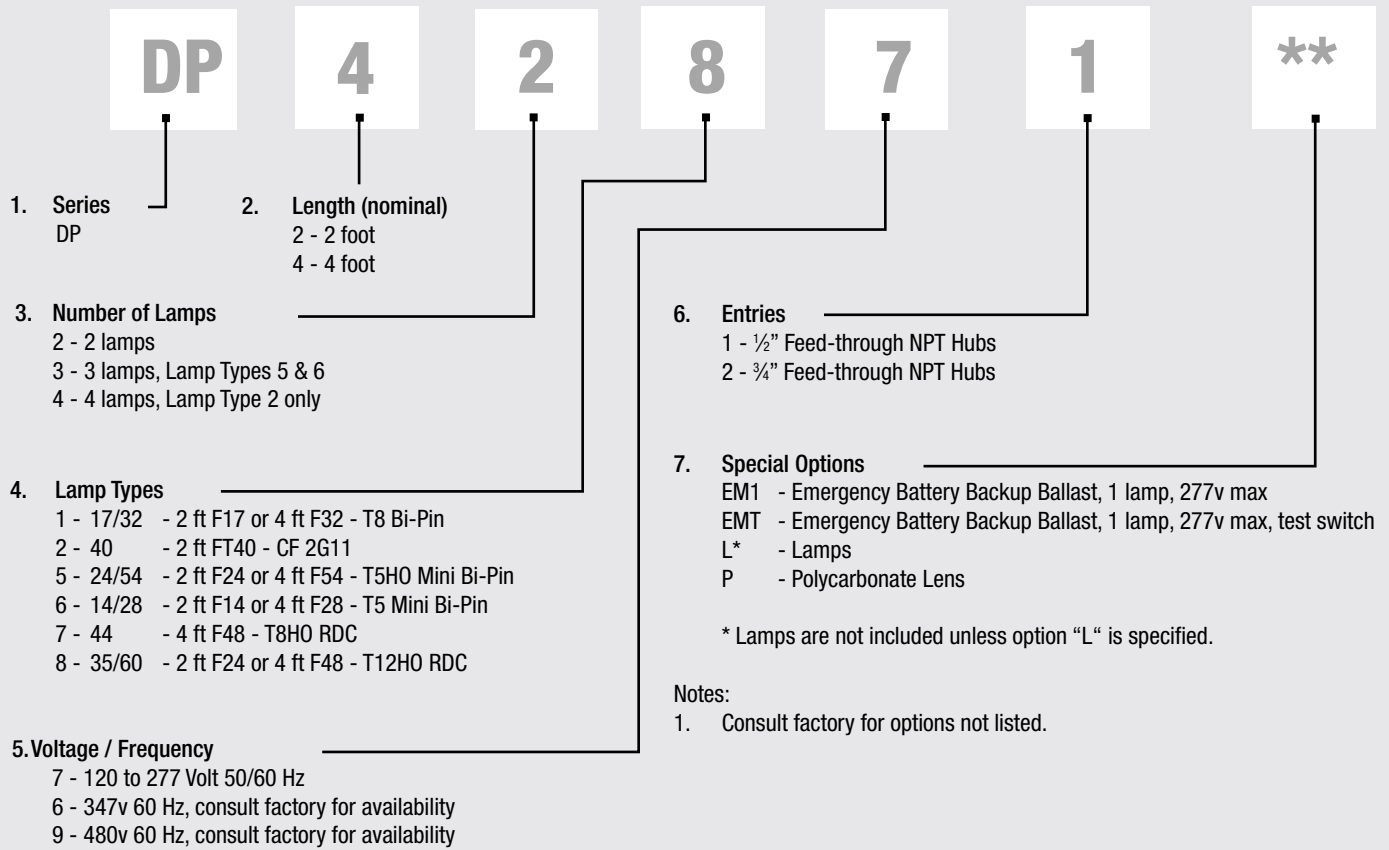
BALLAST

120 to 277 volt 50/60 Hz electronic, optional 347v and 480v.

EMERGENCY BATTERY BACKUP BALLAST

Optional, self contained 90 minute minimum for all lamp types. 120 minutes minimum for F32T8 one lamp. Starting temperature 32°F/0°C.

ORDERING REFERENCES



TEMPERATURE CODES & APPROVALS

| Lamp Wattage | Ballast/Socket Type | ANSI Lamp Code | Class I T-Code | Class I Division 2 | Class II Division 2 | Class III | Class II & III T-Code | Starting Temp | Maximum Ambient* | Supply Wire |
|--------------|---------------------|----------------|----------------|--------------------|---------------------|-----------|-----------------------|---------------|------------------|-------------|
| 17 | T8 Bi-Pin G13 | F17-T8 | T5 | A,B,C & D | F & G | Yes | T3C | 0°F / -18°C | 55°C | 90°C |
| 32 | T8 Bi-Pin G13 | F32-T8 | T5 | A,B,C & D | F & G | Yes | T3C | -20°F / -29°C | 55°C | 90°C |
| 40 | 4 Pin 2G11 | FT40-CF | T5 | A,B,C & D | F & G | Yes | T3C | 0°F / -18°C | 55°C | 90°C |
| 24/54 | T5HO Mini Bi-Pin G5 | F24/F54-T5HO | T5 | A,B,C & D | N/A | No | N/A | -20°F / -29°C | 40°C | 90°C |
| 14/28 | T5 Mini Bi-Pin G5 | F14/F28-T5 | T5 | A,B,C & D | F & G | Yes | T3C | 0°F / -18°C | 40°C | 90°C |
| 44 | T8HO RDC R17d | F48-T8HO | T4A | A,B,C & D | F & G | Yes | T3C | -20°F / -29°C | 40°C | 90°C |
| 35/60 | T12HO RDC R17d | F24/F48-T12HO | T4A | A,B,C & D | F & G | Yes | T3C | -20°F / -29°C | 40°C | 90°C |

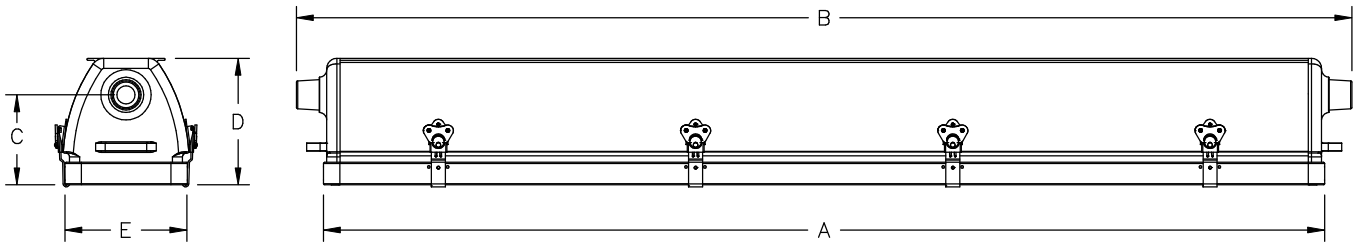
*Consult factory for optional higher ambient models.

HazMax Pinnacle/al

SPARE PARTS

| Part No. | Description | | |
|-----------|---|----------|--|
| FX5350 | BALLAST 120-277V AC 50/60HZ, 1 x 14, F14T5 | FX3568 | LAMP, 24w, F24T5HO |
| FX5350 | BALLAST 120-277V AC 50/60HZ, 1 x 28, F28T5 | FX3567 | LAMP, 54w, F54T5HO |
| FX5307 | BALLAST 120-277V AC 50/60HZ, 1 x 24, F24T5HO | FX3528 | LAMP, 17w, F17T8 |
| FX5305 | BALLAST 120-277V AC 50/60HZ, 1 x 54, F54T5HO | FX3527 | LAMP, 32w, F32T8 |
| FX5174 | BALLAST 120-277V AC 50/60HZ, 1 x 17, F17T8 | FX3565 | LAMP, 44w, F48T8HO |
| FX5221 | BALLAST 120-277V AC 50/60HZ, 1 x 32, F32T8 | FX3507 | LAMP, 35w, F24T12HO |
| FX5349 | BALLAST 120-277V AC 50/60HZ, 1 x 44, F48T8HO | FX3505 | LAMP, 60w, F48T12HO |
| FX5334 | BALLAST 120-277V AC 50/60HZ, 1 x 35, F24T12HO | FX3533 | LAMP, 40w CF, FT40 2G11 |
| FX5334 | BALLAST 120-277V AC 50/60HZ, 1 x 60, F48T12HO | 103-2000 | LENS & FRAME ASSEMBLY, 2 ft. models |
| FX5272 | BALLAST 120-277V AC 50/60HZ, 1 X 40 CF, FT40 2G11 | 103-2001 | DOOR FRAME ONLY, 2 ft. models |
| FX5350 | BALLAST 120-277V AC 50/60HZ, 2 x 14, F14T5 | 103-2100 | LENS ONLY, (acrylic), for 2 ft. models |
| FX5350 | BALLAST 120-277V AC 50/60HZ, 2 x 28, F28T5 | 103-2200 | LENS GASKET, 2 ft. models |
| FX5307 | BALLAST 120-277V AC 50/60HZ, 2 x 24, F24T5HO | 103-2300 | REFLECTOR, 2 ft. models |
| FX5305 | BALLAST 120-277V AC 50/60HZ, 2 X 54, F54T5HO | 035-1060 | Latch assembly |
| FX5340 | BALLAST 120-277V AC 50/60HZ, 2 x 17, F17T8 | 103-4000 | LENS & FRAME ASSEMBLY, 4 ft. models |
| FX5340 | BALLAST 120-277V AC 50/60HZ, 2 x 32, F32T8 | 103-4001 | DOOR FRAME ONLY, 4 ft. models |
| FX5349 | BALLAST 120-277V AC 50/60HZ, 2 x 44, F48T8HO | 103-4100 | LENS ONLY (acrylic), 4 ft. models |
| FX5334 | BALLAST 120-277V AC 50/60HZ, 2 x 35, F24T12HO | 103-4200 | LENS GASKET, 4 ft. models |
| FX5334 | BALLAST 120-277V AC 50/60HZ, 2 x 60, F48T12HO | 103-4300 | REFLECTOR, 4 ft. models |
| FX5272 | BALLAST 120-277V AC 50/60HZ, 2 x 40, FT40 2G11 | 758-0523 | LAMP HOLDER, HO T8 & T12 |
| FX5128HDU | EMERGENCY BATTERY BACKUP BALLAST, EM1/EMT1, 120v-277v, CF, T8, T8HO & T12HO | 752-6051 | LAMP HOLDER, 2G11, 4 Pin |
| FX5346HDU | EMERGENCY BATTERY BACKUP BALLAST, EM1/EMT1, 120v-277v, T5 & T5HO | 754-7102 | LAMP HOLDER, T12 & T8, Bi-Pin |
| FX3573 | LAMP, 14w, F14T5 | 754-0005 | LAMP HOLDER, T5 HO, fixed & spring set |
| FX3574 | LAMP, 28w, F28T5 | | |

DIMENSIONS



| Nominal Length | Dimensions in Inches / Centimeters | | | | | Carton L x W x D inches | Nominal Weight | |
|----------------|------------------------------------|--------------|------------|------------|------------|-------------------------|----------------|-------|
| | A | B | C | D | E | | Lbs | Kg |
| 2 Foot | 26.0 / 66.0 | 27.6 / 70.2 | 4.4 / 11.1 | 6.3 / 16.0 | 6.5 / 16.5 | 8¼ X 6¼ X 31⅞ | 23.0 | 10.4 |
| 4 Foot | 50.0 / 127.0 | 51.6 / 131.1 | 4.4 / 11.1 | 6.3 / 16.0 | 6.5 / 16.5 | 10 X 8 X 56 | 32.0 | 14.55 |

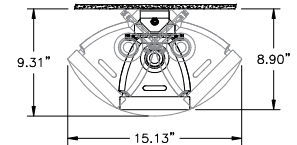
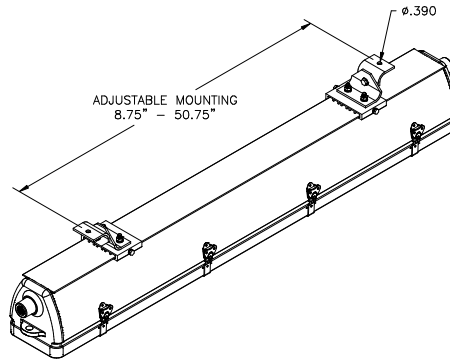
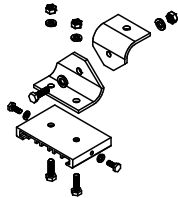
MOUNTING OPTIONS

DP1050MTK*

Back mount swivel kit.

2 aluminum brackets with slide mount.

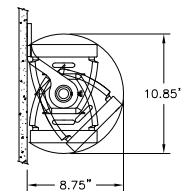
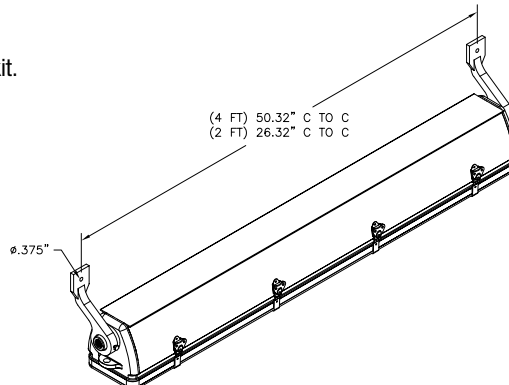
*Add suffix PS for plated steel swivel brackets.



DP1052MTK

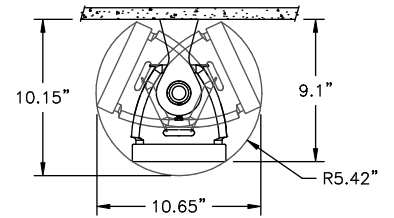
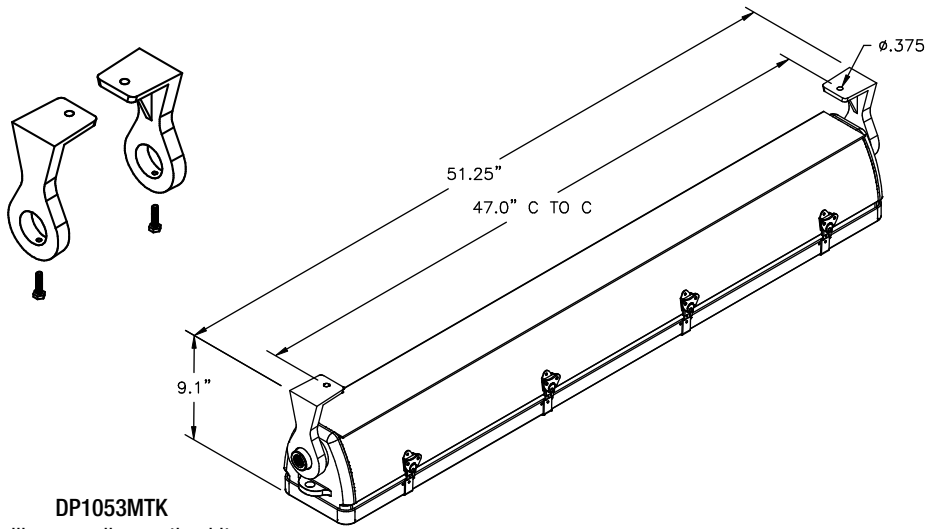
Offset wall or ceiling mounting kit.

2 cast aluminum brackets.

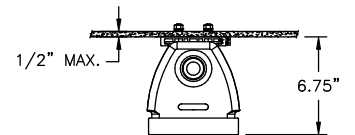
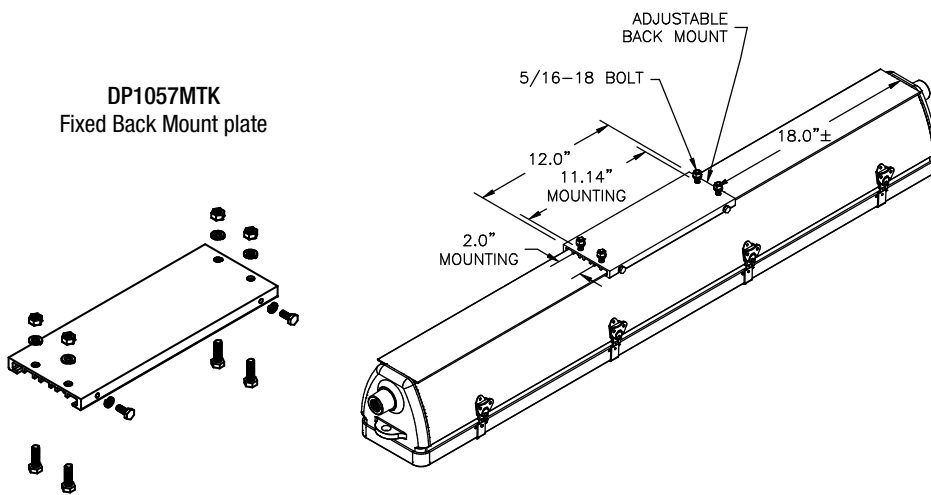


HazMax Pinnacle/al

MOUNTING OPTIONS



DP1053MTK
Ceiling or wall mounting kit.
2 Cast aluminum brackets.



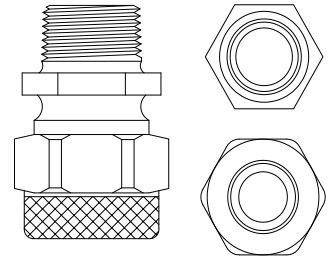
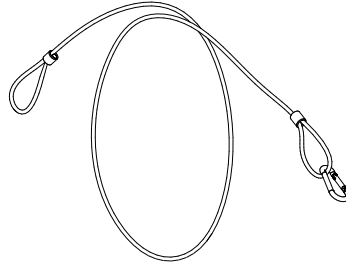
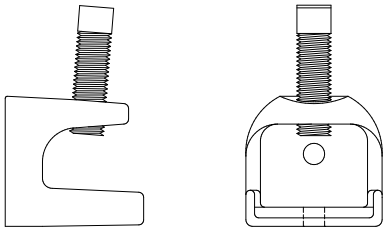
DP1057MTK
Fixed Back Mount plate

MOUNTING OPTIONS

FX7028

Beam Clamp Kit

Includes Beam clamps (2), Safety Cable & Cable Gland.



BC2K

2 Beam Clamp Kit.

For use with Surface mount kit.

SC30H

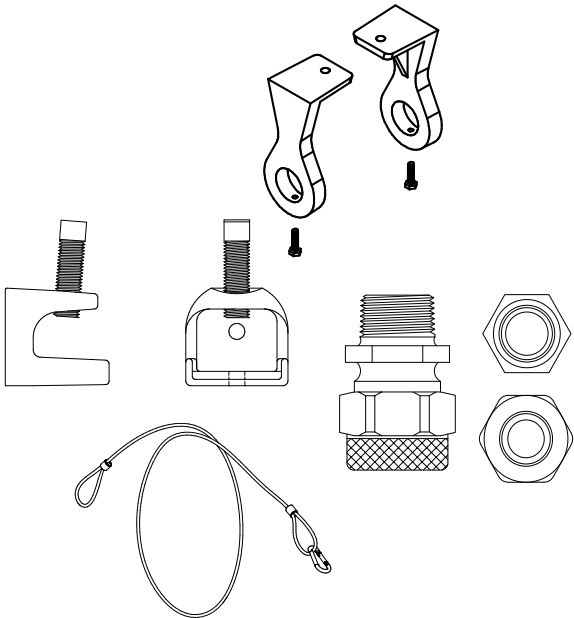
48" Safety Cable with snap hook.

CX1502

Cable Gland 3/4" Aluminum,
Cord Grip Range .438 - .562.

DP-STKT

Includes FX7028 and DP1053MTK.



DP-OFKT

Includes FX7028 and DP1052MTK.

