

HazMax Pinnacle/al



FEATURES

- Fluorescent system provides energy savings up to 50% when compared to HID.
- Multi voltage electronic ballast resistant to brownouts or voltage and frequency fluctuations.
- Field replaceable lens and gasket.
- Acrylic lens withstands constant exposure to sunlight and contact with petroleum based products.
- Neoprene gasket resists petroleum.
- Permanent safety cable mounting points at each end.
- Fixture may be mounted horizontally or vertically and rotated up to 270°.
- Tool less entry via heavy duty twist draw latches.
- Lens frame hinged on side for easy lamp replacement.
- Spring loaded lamp holders, for linear lamps resist shock and vibration.
- Optional self contained emergency battery backup ballasts.
- Optional certified test switch on emergency models.

APPLICATIONS

- Hazardous locations
- Watertight requirements
- Dusttight requirements
- Oil and gas exploration and production
- Waste water treatment plants
- Pipeline compressor / pumping & storage
- Maintenance & lubrication pits
- Petrochemical facilities
- High abuse areas

APPROVALS

- Class I Division 2 Groups A, B, C & D
- Class I Zone 2 Groups IIA, IIB & IIC
- Class II Division 2 Groups F & G
- Class III
- Type 4
- Conforms to IP66

STANDARDS

- UL 844 - Hazardous Locations
- UL 1598 - Luminaires
- CSA - Class 3428 03
- CSA - Class 3428 83

TECHNICAL SPECIFICATIONS

HOUSING

Extruded aluminum with cast end caps.

LENS

0.125 inch thick clear acrylic, optional polycarbonate.

REFLECTOR

Aluminum parabolic with an electrostatically applied powder coat finish. Minimum 90% reflectance.

GASKET

One piece neoprene.

MOUNTING

Optional mounting kits available. Please see MOUNTING OPTIONS.

LATCHES

Plated steel twist draw.

LAMP HOLDER

Double spring loaded on linear models.

ENTRIES

½" NPT feed-through outlets, ¾" NPT outlets optional.

LAMP TYPES

See ORDERING REFERENCES. Lamps not provided.

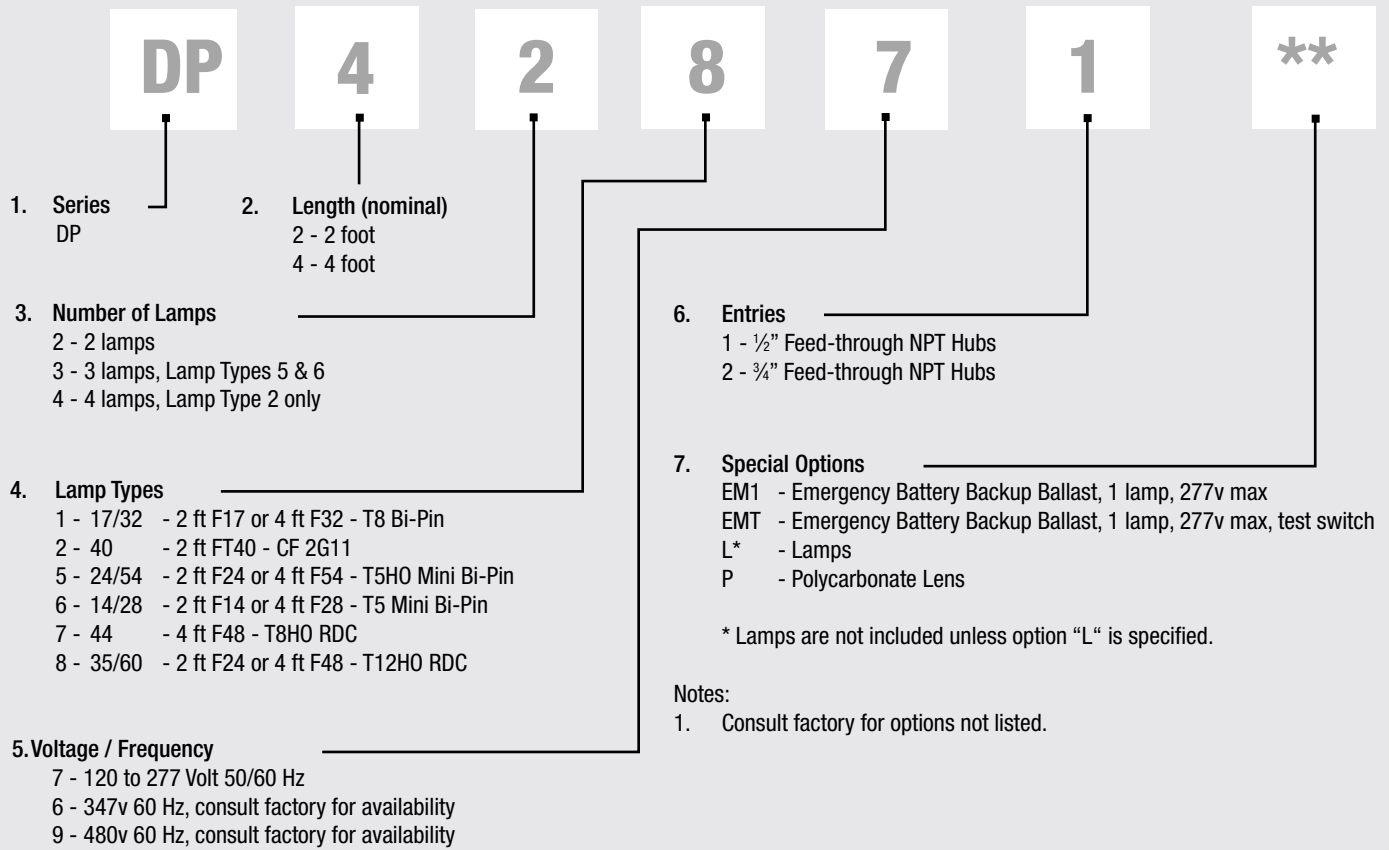
BALLAST

120 to 277 volt 50/60 Hz electronic, optional 347v and 480v.

EMERGENCY BATTERY BACKUP BALLAST

Optional, self contained 90 minute minimum for all lamp types. 120 minutes minimum for F32T8 one lamp. Starting temperature 32°F/0°C.

ORDERING REFERENCES



TEMPERATURE CODES & APPROVALS

Lamp Wattage	Ballast/Socket Type	ANSI Lamp Code	Class I T-Code	Class I Division 2	Class II Division 2	Class III	Class II & III T-Code	Starting Temp	Maximum Ambient*	Supply Wire
17	T8 Bi-Pin G13	F17-T8	T5	A,B,C & D	F & G	Yes	T3C	0°F / -18°C	55°C	90°C
32	T8 Bi-Pin G13	F32-T8	T5	A,B,C & D	F & G	Yes	T3C	-20°F / -29°C	55°C	90°C
40	4 Pin 2G11	FT40-CF	T5	A,B,C & D	F & G	Yes	T3C	0°F / -18°C	55°C	90°C
24/54	T5HO Mini Bi-Pin G5	F24/F54-T5HO	T5	A,B,C & D	N/A	No	N/A	-20°F / -29°C	40°C	90°C
14/28	T5 Mini Bi-Pin G5	F14/F28-T5	T5	A,B,C & D	F & G	Yes	T3C	0°F / -18°C	40°C	90°C
44	T8HO RDC R17d	F48-T8HO	T4A	A,B,C & D	F & G	Yes	T3C	-20°F / -29°C	40°C	90°C
35/60	T12HO RDC R17d	F24/F48-T12HO	T4A	A,B,C & D	F & G	Yes	T3C	-20°F / -29°C	40°C	90°C

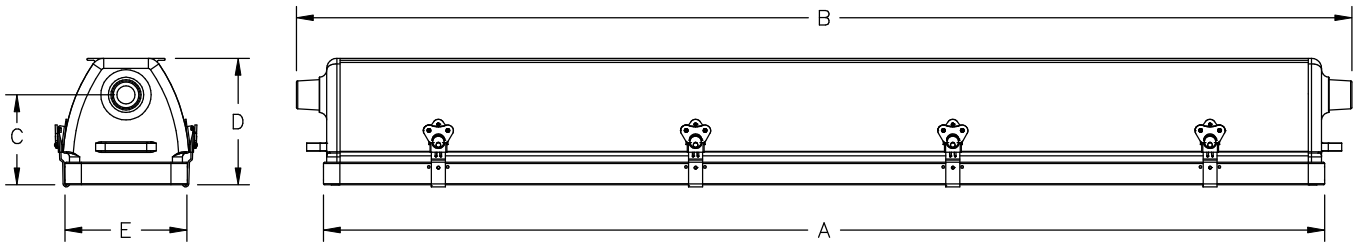
*Consult factory for optional higher ambient models.

HazMax Pinnacle/al

SPARE PARTS

Part No.	Description		
FX5350	BALLAST 120-277V AC 50/60HZ, 1 x 14, F14T5	FX3568	LAMP, 24w, F24T5HO
FX5350	BALLAST 120-277V AC 50/60HZ, 1 x 28, F28T5	FX3567	LAMP, 54w, F54T5HO
FX5307	BALLAST 120-277V AC 50/60HZ, 1 x 24, F24T5HO	FX3528	LAMP, 17w, F17T8
FX5305	BALLAST 120-277V AC 50/60HZ, 1 x 54, F54T5HO	FX3527	LAMP, 32w, F32T8
FX5174	BALLAST 120-277V AC 50/60HZ, 1 x 17, F17T8	FX3565	LAMP, 44w, F48T8HO
FX5221	BALLAST 120-277V AC 50/60HZ, 1 x 32, F32T8	FX3507	LAMP, 35w, F24T12HO
FX5349	BALLAST 120-277V AC 50/60HZ, 1 x 44, F48T8HO	FX3505	LAMP, 60w, F48T12HO
FX5334	BALLAST 120-277V AC 50/60HZ, 1 x 35, F24T12HO	FX3533	LAMP, 40w CF, FT40 2G11
FX5334	BALLAST 120-277V AC 50/60HZ, 1 x 60, F48T12HO	103-2000	LENS & FRAME ASSEMBLY, 2 ft. models
FX5272	BALLAST 120-277V AC 50/60HZ, 1 X 40 CF, FT40 2G11	103-2001	DOOR FRAME ONLY, 2 ft. models
FX5350	BALLAST 120-277V AC 50/60HZ, 2 x 14, F14T5	103-2100	LENS ONLY, (acrylic), for 2 ft. models
FX5350	BALLAST 120-277V AC 50/60HZ, 2 x 28, F28T5	103-2200	LENS GASKET, 2 ft. models
FX5307	BALLAST 120-277V AC 50/60HZ, 2 x 24, F24T5HO	103-2300	REFLECTOR, 2 ft. models
FX5305	BALLAST 120-277V AC 50/60HZ, 2 X 54, F54T5HO	035-1060	Latch assembly
FX5340	BALLAST 120-277V AC 50/60HZ, 2 x 17, F17T8	103-4000	LENS & FRAME ASSEMBLY, 4 ft. models
FX5340	BALLAST 120-277V AC 50/60HZ, 2 x 32, F32T8	103-4001	DOOR FRAME ONLY, 4 ft. models
FX5349	BALLAST 120-277V AC 50/60HZ, 2 x 44, F48T8HO	103-4100	LENS ONLY (acrylic), 4 ft. models
FX5334	BALLAST 120-277V AC 50/60HZ, 2 x 35, F24T12HO	103-4200	LENS GASKET, 4 ft. models
FX5334	BALLAST 120-277V AC 50/60HZ, 2 x 60, F48T12HO	103-4300	REFLECTOR, 4 ft. models
FX5272	BALLAST 120-277V AC 50/60HZ, 2 x 40, FT40 2G11	758-0523	LAMP HOLDER, HO T8 & T12
FX5128HDU	EMERGENCY BATTERY BACKUP BALLAST, EM1/EMT1, 120v-277v, CF, T8, T8HO & T12HO	752-6051	LAMP HOLDER, 2G11, 4 Pin
FX5346HDU	EMERGENCY BATTERY BACKUP BALLAST, EM1/EMT1, 120v-277v, T5 & T5HO	754-7102	LAMP HOLDER, T12 & T8, Bi-Pin
FX3573	LAMP, 14w, F14T5	754-0005	LAMP HOLDER, T5 HO, fixed & spring set
FX3574	LAMP, 28w, F28T5		

DIMENSIONS



Nominal Length	Dimensions in Inches / Centimeters					Carton L x W x D inches	Nominal Weight	
	A	B	C	D	E		Lbs	Kg
2 Foot	26.0 / 66.0	27.6 / 70.2	4.4 / 11.1	6.3 / 16.0	6.5 / 16.5	8¼ X 6¼ X 31⅞	23.0	10.4
4 Foot	50.0 / 127.0	51.6 / 131.1	4.4 / 11.1	6.3 / 16.0	6.5 / 16.5	10 X 8 X 56	32.0	14.55

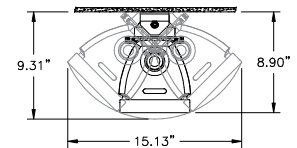
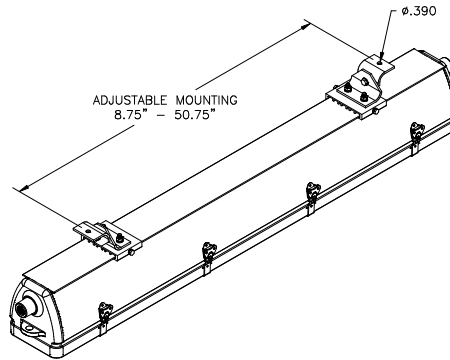
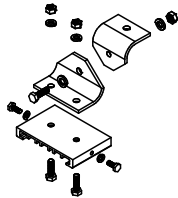
MOUNTING OPTIONS

DP1050MTK*

Back mount swivel kit.

2 aluminum brackets with slide mount.

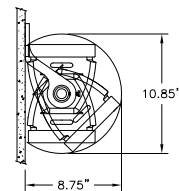
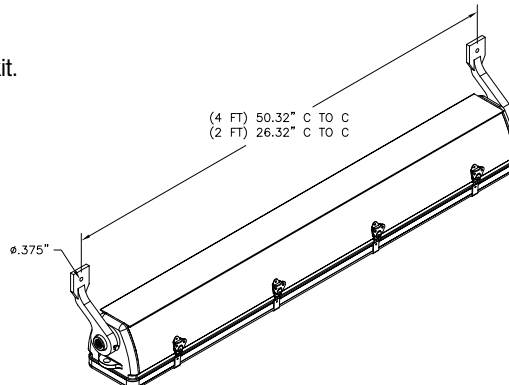
*Add suffix PS for plated steel swivel brackets.



DP1052MTK

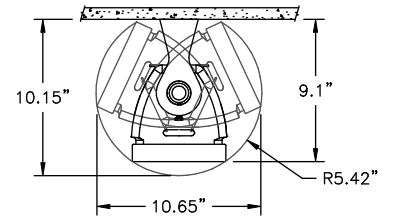
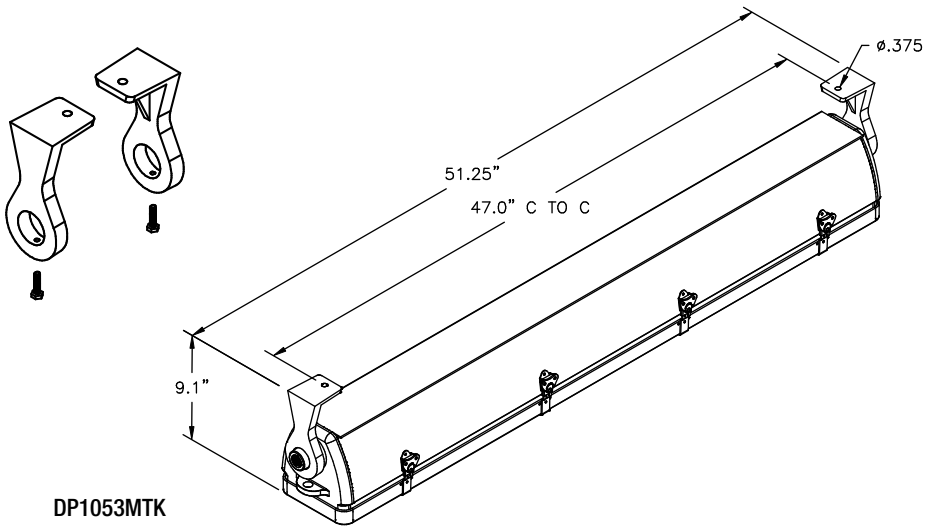
Offset wall or ceiling mounting kit.

2 cast aluminum brackets.

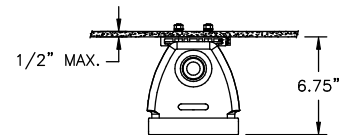
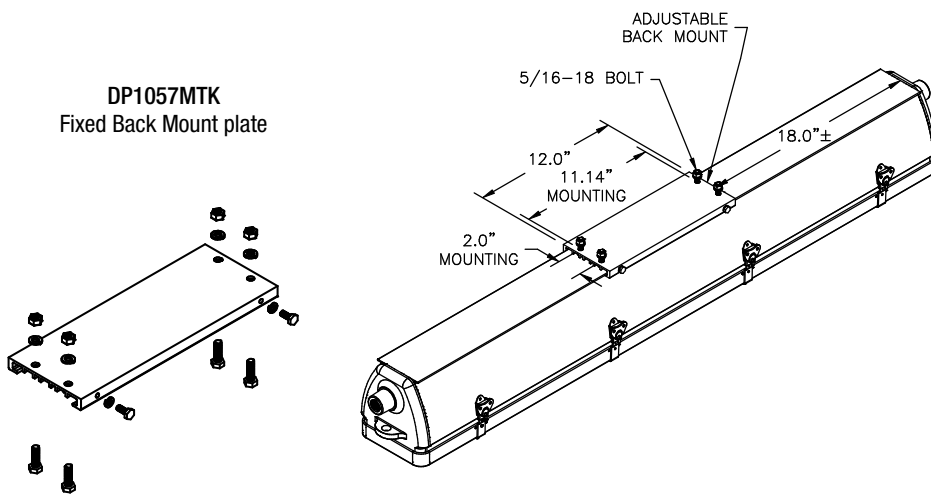


HazMax Pinnacle/al

MOUNTING OPTIONS



DP1053MTK
Ceiling or wall mounting kit.
2 Cast aluminum brackets.



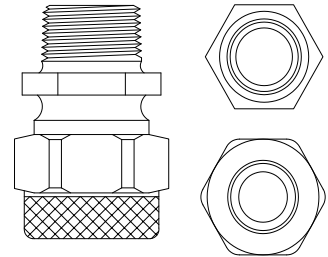
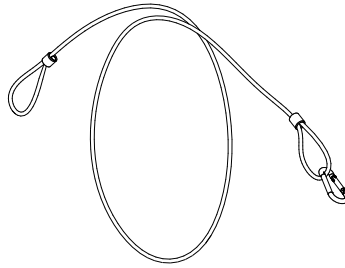
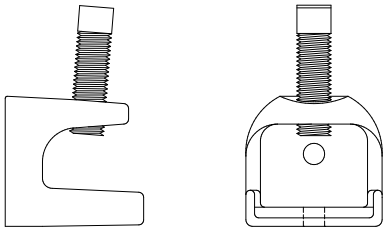
DP1057MTK
Fixed Back Mount plate

MOUNTING OPTIONS

FX7028

Beam Clamp Kit

Includes Beam clamps (2), Safety Cable & Cable Gland.



BC2K

2 Beam Clamp Kit.

For use with Surface mount kit.

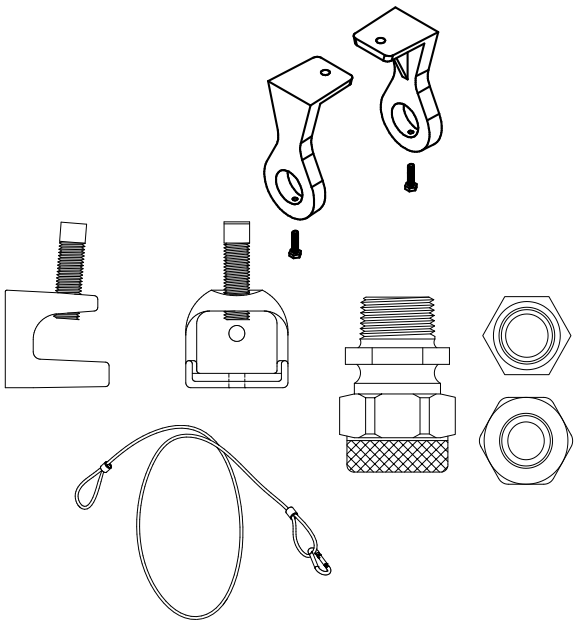
SC30H

48" Safety Cable with snap hook.

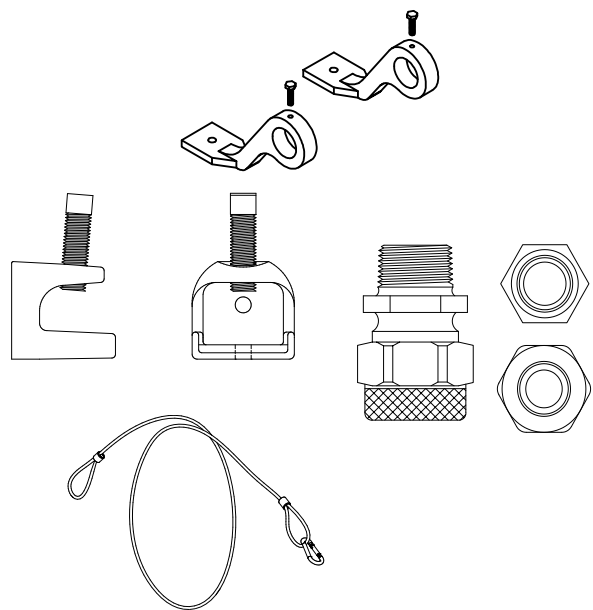
CX1502

Cable Gland $\frac{3}{4}$ " Aluminum,
Cord Grip Range .438 - .562.

DP-STKT
Includes FX7028 and DP1053MTK.



DP-OFKT
Includes FX7028 and DP1052MTK.



HazMax Pinnacle/al



FEATURES

- Fluorescent system provides energy savings up to 50% when compared to HID.
- Multi voltage electronic ballast resistant to brownouts or voltage and frequency fluctuations.
- Field replaceable lens and gasket.
- Acrylic lens withstands constant exposure to sunlight and contact with petroleum based products.
- Neoprene gasket resists petroleum.
- Permanent safety cable mounting points at each end.
- Fixture may be mounted horizontally or vertically and rotated up to 270°.
- Tool less entry via heavy duty twist draw latches.
- Lens frame hinged on side for easy lamp replacement.
- Spring loaded lamp holders, for linear lamps resist shock and vibration.
- Optional self contained emergency battery backup ballasts.
- Optional certified test switch on emergency models.

APPLICATIONS

- Hazardous locations
- Watertight requirements
- Dusttight requirements
- Oil and gas exploration and production
- Waste water treatment plants
- Pipeline compressor / pumping & storage
- Maintenance & lubrication pits
- Petrochemical facilities
- High abuse areas

APPROVALS

- Class I Division 2 Groups A, B, C & D
- Class I Zone 2 Groups IIA, IIB & IIC
- Class II Division 2 Groups F & G
- Class III
- Type 4
- Conforms to IP66

STANDARDS

- UL 844 - Hazardous Locations
- UL 1598 - Luminaires
- CSA - Class 3428 03
- CSA - Class 3428 83

TECHNICAL SPECIFICATIONS

HOUSING

Extruded aluminum with cast end caps.

LENS

0.125 inch thick clear acrylic, optional polycarbonate.

REFLECTOR

Aluminum parabolic with an electrostatically applied powder coat finish. Minimum 90% reflectance.

GASKET

One piece neoprene.

MOUNTING

Optional mounting kits available. Please see MOUNTING OPTIONS.

LATCHES

Plated steel twist draw.

LAMP HOLDER

Double spring loaded on linear models.

ENTRIES

½" NPT feed-through outlets, ¾" NPT outlets optional.

LAMP TYPES

See ORDERING REFERENCES. Lamps not provided.

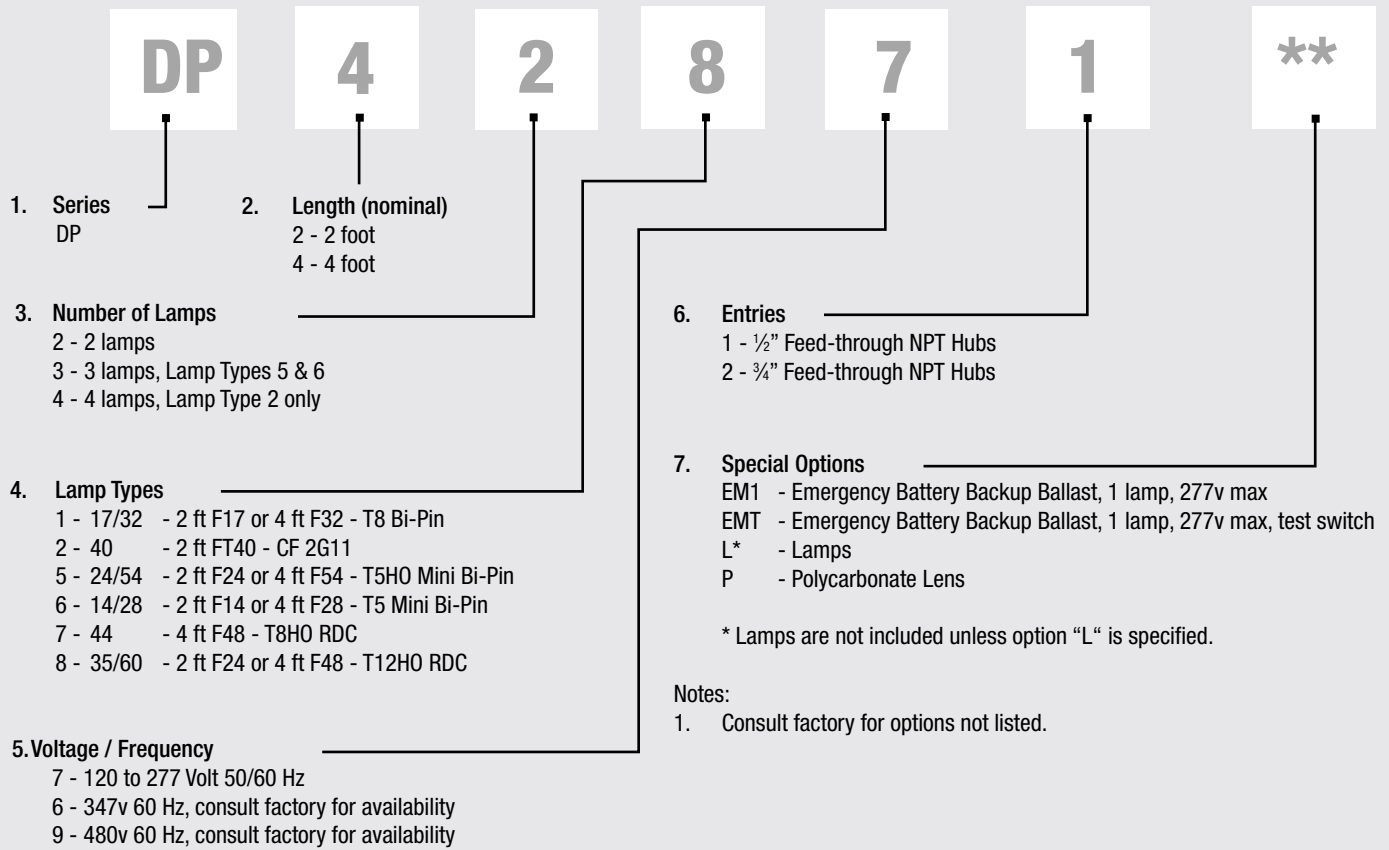
BALLAST

120 to 277 volt 50/60 Hz electronic, optional 347v and 480v.

EMERGENCY BATTERY BACKUP BALLAST

Optional, self contained 90 minute minimum for all lamp types. 120 minutes minimum for F32T8 one lamp. Starting temperature 32°F/0°C.

ORDERING REFERENCES



TEMPERATURE CODES & APPROVALS

Lamp Wattage	Ballast/Socket Type	ANSI Lamp Code	Class I T-Code	Class I Division 2	Class II Division 2	Class III	Class II & III T-Code	Starting Temp	Maximum Ambient*	Supply Wire
17	T8 Bi-Pin G13	F17-T8	T5	A,B,C & D	F & G	Yes	T3C	0°F / -18°C	55°C	90°C
32	T8 Bi-Pin G13	F32-T8	T5	A,B,C & D	F & G	Yes	T3C	-20°F / -29°C	55°C	90°C
40	4 Pin 2G11	FT40-CF	T5	A,B,C & D	F & G	Yes	T3C	0°F / -18°C	55°C	90°C
24/54	T5HO Mini Bi-Pin G5	F24/F54-T5HO	T5	A,B,C & D	N/A	No	N/A	-20°F / -29°C	40°C	90°C
14/28	T5 Mini Bi-Pin G5	F14/F28-T5	T5	A,B,C & D	F & G	Yes	T3C	0°F / -18°C	40°C	90°C
44	T8HO RDC R17d	F48-T8HO	T4A	A,B,C & D	F & G	Yes	T3C	-20°F / -29°C	40°C	90°C
35/60	T12HO RDC R17d	F24/F48-T12HO	T4A	A,B,C & D	F & G	Yes	T3C	-20°F / -29°C	40°C	90°C

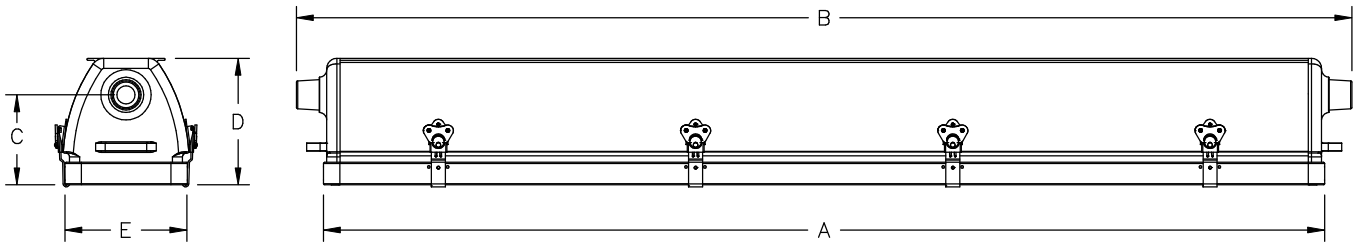
*Consult factory for optional higher ambient models.

HazMax Pinnacle/al

SPARE PARTS

Part No.	Description		
FX5350	BALLAST 120-277V AC 50/60HZ, 1 x 14, F14T5	FX3568	LAMP, 24w, F24T5HO
FX5350	BALLAST 120-277V AC 50/60HZ, 1 x 28, F28T5	FX3567	LAMP, 54w, F54T5HO
FX5307	BALLAST 120-277V AC 50/60HZ, 1 x 24, F24T5HO	FX3528	LAMP, 17w, F17T8
FX5305	BALLAST 120-277V AC 50/60HZ, 1 x 54, F54T5HO	FX3527	LAMP, 32w, F32T8
FX5174	BALLAST 120-277V AC 50/60HZ, 1 x 17, F17T8	FX3565	LAMP, 44w, F48T8HO
FX5221	BALLAST 120-277V AC 50/60HZ, 1 x 32, F32T8	FX3507	LAMP, 35w, F24T12HO
FX5349	BALLAST 120-277V AC 50/60HZ, 1 x 44, F48T8HO	FX3505	LAMP, 60w, F48T12HO
FX5334	BALLAST 120-277V AC 50/60HZ, 1 x 35, F24T12HO	FX3533	LAMP, 40w CF, FT40 2G11
FX5334	BALLAST 120-277V AC 50/60HZ, 1 x 60, F48T12HO	103-2000	LENS & FRAME ASSEMBLY, 2 ft. models
FX5272	BALLAST 120-277V AC 50/60HZ, 1 X 40 CF, FT40 2G11	103-2001	DOOR FRAME ONLY, 2 ft. models
FX5350	BALLAST 120-277V AC 50/60HZ, 2 x 14, F14T5	103-2100	LENS ONLY, (acrylic), for 2 ft. models
FX5350	BALLAST 120-277V AC 50/60HZ, 2 x 28, F28T5	103-2200	LENS GASKET, 2 ft. models
FX5307	BALLAST 120-277V AC 50/60HZ, 2 x 24, F24T5HO	103-2300	REFLECTOR, 2 ft. models
FX5305	BALLAST 120-277V AC 50/60HZ, 2 X 54, F54T5HO	035-1060	Latch assembly
FX5340	BALLAST 120-277V AC 50/60HZ, 2 x 17, F17T8	103-4000	LENS & FRAME ASSEMBLY, 4 ft. models
FX5340	BALLAST 120-277V AC 50/60HZ, 2 x 32, F32T8	103-4001	DOOR FRAME ONLY, 4 ft. models
FX5349	BALLAST 120-277V AC 50/60HZ, 2 x 44, F48T8HO	103-4100	LENS ONLY (acrylic), 4 ft. models
FX5334	BALLAST 120-277V AC 50/60HZ, 2 x 35, F24T12HO	103-4200	LENS GASKET, 4 ft. models
FX5334	BALLAST 120-277V AC 50/60HZ, 2 x 60, F48T12HO	103-4300	REFLECTOR, 4 ft. models
FX5272	BALLAST 120-277V AC 50/60HZ, 2 x 40, FT40 2G11	758-0523	LAMP HOLDER, HO T8 & T12
FX5128HDU	EMERGENCY BATTERY BACKUP BALLAST, EM1/EMT1, 120v-277v, CF, T8, T8HO & T12HO	752-6051	LAMP HOLDER, 2G11, 4 Pin
FX5346HDU	EMERGENCY BATTERY BACKUP BALLAST, EM1/EMT1, 120v-277v, T5 & T5HO	754-7102	LAMP HOLDER, T12 & T8, Bi-Pin
FX3573	LAMP, 14w, F14T5	754-0005	LAMP HOLDER, T5 HO, fixed & spring set
FX3574	LAMP, 28w, F28T5		

DIMENSIONS



Nominal Length	Dimensions in Inches / Centimeters					Carton L x W x D inches	Nominal Weight	
	A	B	C	D	E		Lbs	Kg
2 Foot	26.0 / 66.0	27.6 / 70.2	4.4 / 11.1	6.3 / 16.0	6.5 / 16.5	8¼ X 6¼ X 31⅞	23.0	10.4
4 Foot	50.0 / 127.0	51.6 / 131.1	4.4 / 11.1	6.3 / 16.0	6.5 / 16.5	10 X 8 X 56	32.0	14.55

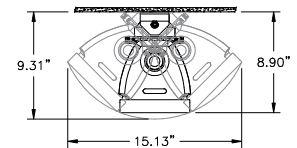
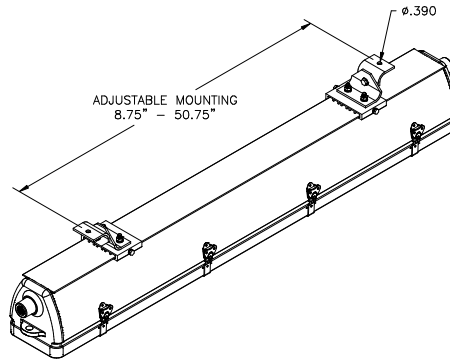
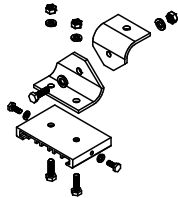
MOUNTING OPTIONS

DP1050MTK*

Back mount swivel kit.

2 aluminum brackets with slide mount.

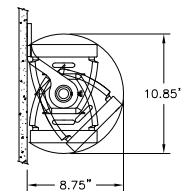
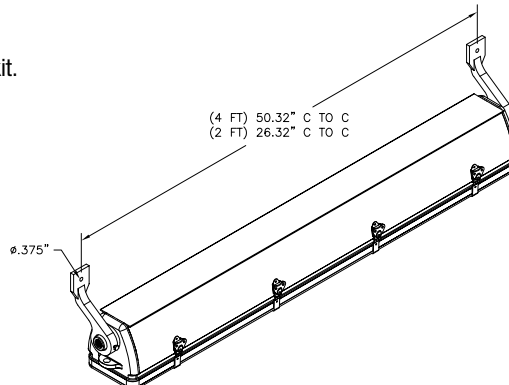
*Add suffix PS for plated steel swivel brackets.



DP1052MTK

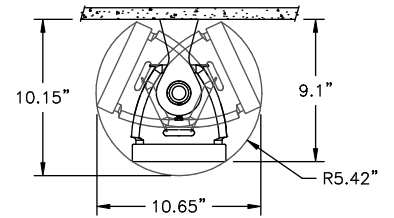
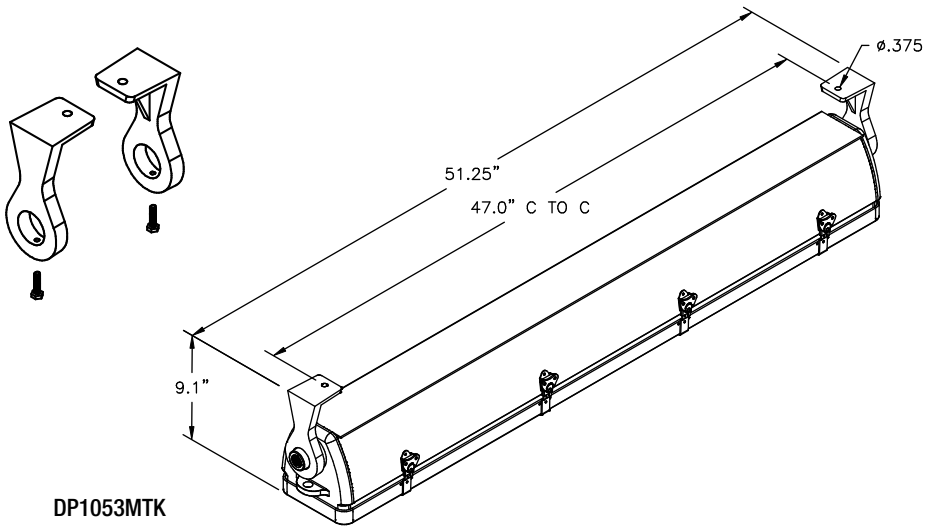
Offset wall or ceiling mounting kit.

2 cast aluminum brackets.

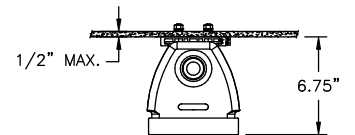
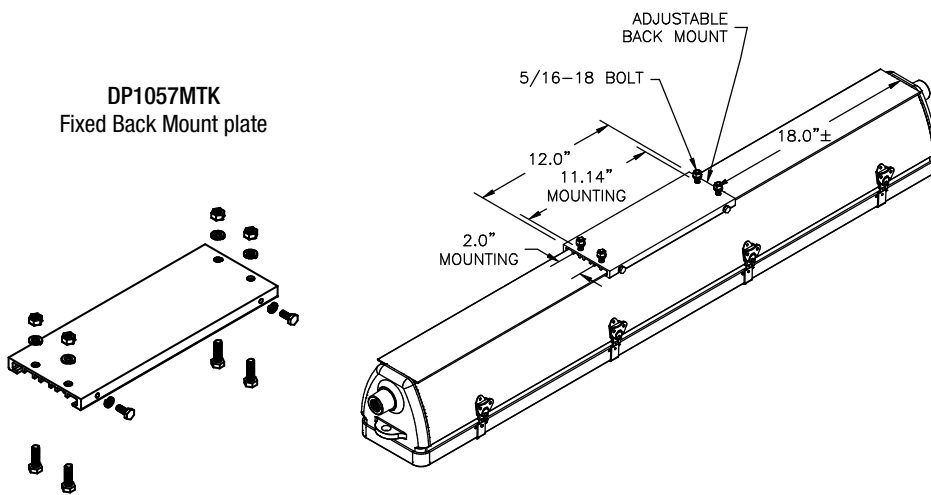


HazMax Pinnacle/al

MOUNTING OPTIONS



DP1053MTK
Ceiling or wall mounting kit.
2 Cast aluminum brackets.



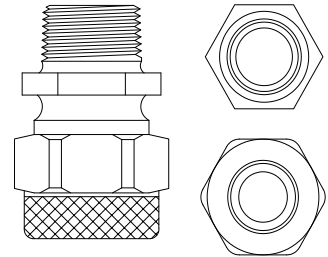
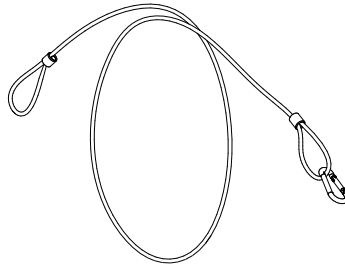
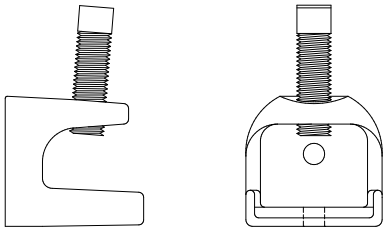
DP1057MTK
Fixed Back Mount plate

MOUNTING OPTIONS

FX7028

Beam Clamp Kit

Includes Beam clamps (2), Safety Cable & Cable Gland.



BC2K

2 Beam Clamp Kit.

For use with Surface mount kit.

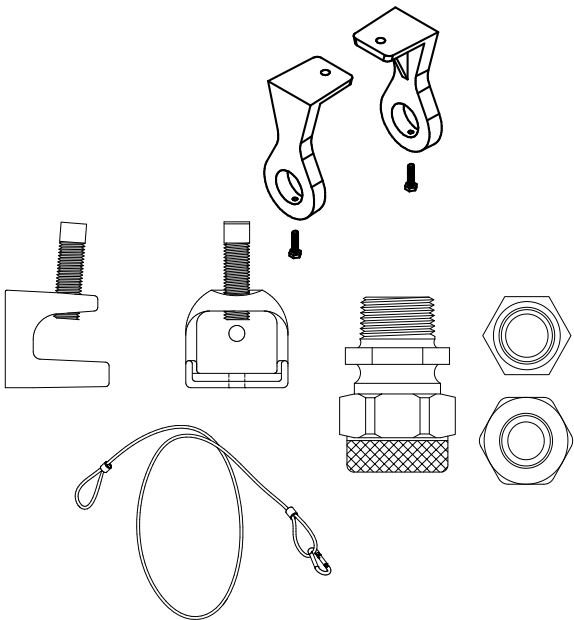
SC30H

48" Safety Cable with snap hook.

CX1502

Cable Gland $\frac{3}{4}$ " Aluminum,
Cord Grip Range .438 - .562.

DP-STKT
Includes FX7028 and DP1053MTK.



DP-OFKT
Includes FX7028 and DP1052MTK.

