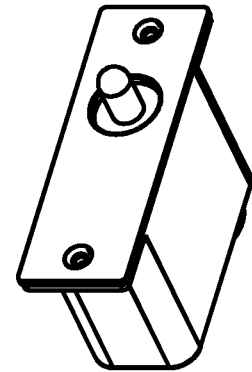
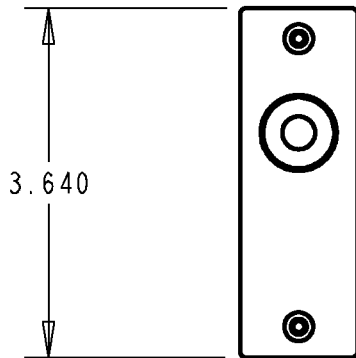
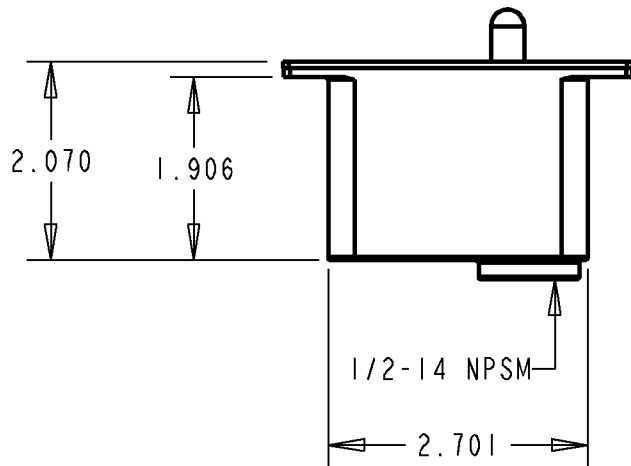
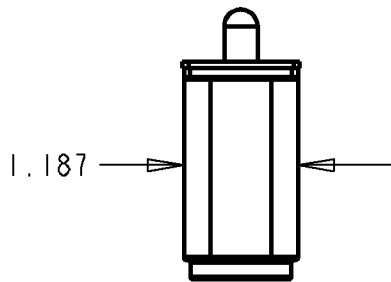


Red•Dot[®]




SCALE 0.500



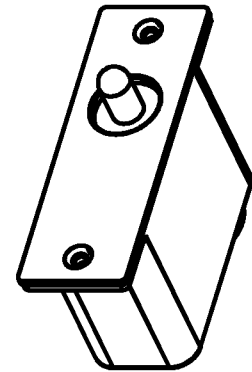
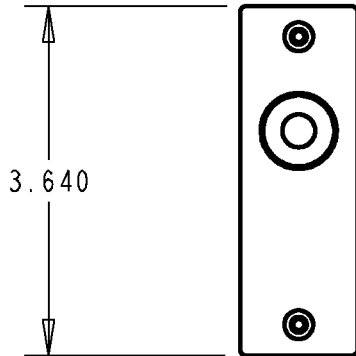
NOTES:

- 1.) MATERIAL: GALVANIZED ALUMINUM
- 2.) CONTAINS NORMALLY-CLOSED CONTACT (LIGHT IS ON WHEN DOOR IS OPENED)
- 3.) ELECTRICAL SPECS: 125VAC, 5A
- 4.) PACKAGED UN-ASSEMBLED. INCLUDES A BACKBOX, A COVER/SWITCH SUB-ASSEMBLY, INSTALLATION INSTRUCTIONS AND A HARDWARE PACK CONTAINING:
 - * FOUR (4) WOOD SCREWS FOR MOUNTING THE BACKBOX
 - * TWO (2) 6-32 x 1/4" ZINC-PLATED STEEL SCREWS FOR FASTENING THE COVER ASSEMBLY TO THE BACKBOX

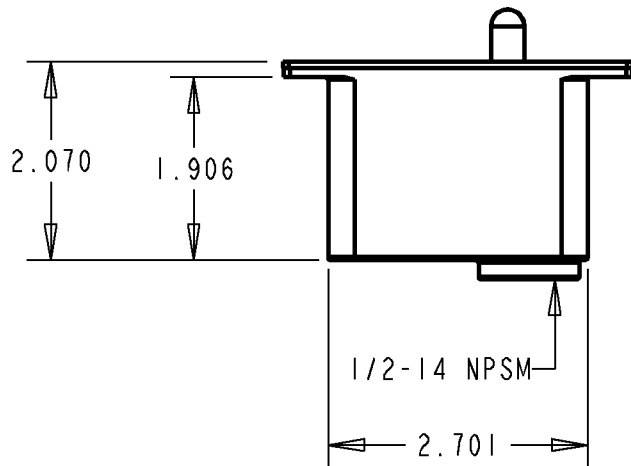
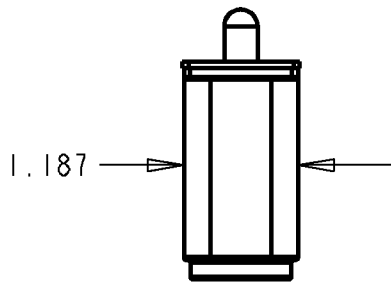
CAT NO: DN-415

GENERAL NOTES		 www.tnb.com			
1. ALL DIMENSIONS ARE FOR REFERENCE ONLY. 2. DIMENSIONS IN BRACKETS [] ARE IN METRIC UNITS.					
REVISIONS		DESCRIPTION: DOOR SWITCH - DN-415 (NORMALLY CLOSED CONTACT)			
** SEE ERN (****) FOR APPROVAL SIGNATURES & RELEASE DATE. PROJECT NO: ****		ORIGINAL PROJECT NO / (ERN NO) pm400035 / (2014547)	SHEET NO: 1 OF 1	REV. NO: **	DRAWING NO: WSD-001143

Red•Dot®




SCALE 0.500



NOTES:

- 1.) MATERIAL: GALVANIZED ALUMINUM
- 2.) CONTAINS NORMALLY-CLOSED CONTACT (LIGHT IS ON WHEN DOOR IS OPENED)
- 3.) ELECTRICAL SPECS: 125VAC, 5A
- 4.) PACKAGED UN-ASSEMBLED. INCLUDES A BACKBOX, A COVER/SWITCH SUB-ASSEMBLY, INSTALLATION INSTRUCTIONS AND A HARDWARE PACK CONTAINING:
 - * FOUR (4) WOOD SCREWS FOR MOUNTING THE BACKBOX
 - * TWO (2) 6-32 x 1/4" ZINC-PLATED STEEL SCREWS FOR FASTENING THE COVER ASSEMBLY TO THE BACKBOX

CAT NO: DN-415

GENERAL NOTES		 www.tnb.com			
1. ALL DIMENSIONS ARE FOR REFERENCE ONLY. 2. DIMENSIONS IN BRACKETS [] ARE IN METRIC UNITS.					
REVISIONS		DESCRIPTION: DOOR SWITCH - DN-415 (NORMALLY CLOSED CONTACT)			
** SEE ERN (****) FOR APPROVAL SIGNATURES & RELEASE DATE. PROJECT NO: ****		ORIGINAL PROJECT NO / (ERN NO) pm400035 / (2014547)	SHEET NO: 1 OF 1	REV. NO: **	DRAWING NO: WSD-001143