

Specified Item #	
Project	
Location	



**SPECIFICATIONS (12V MODELS)**

	DI-TD-12V-10W	DI-TD-12V-20W	DI-TD-12V-30W	DI-TD-12V-45W
Input	<b>Voltage / Frequency</b> 90~135VAC at ~50/60Hz			
	<b>Current (Full Load)</b> 0.17A (~110VAC) 0.14A (~110VAC) 0.14A (~110VAC) 0.34A (~110VAC)			
	<b>Efficiency / Power Factor (max)</b> >81% / >0.92 (~120VAC) >86% / >0.92 (~110VAC) >83% / >0.92 (~110VAC) >84% / >0.94 (~110VAC)			
	<b>Wire or Terminal Connection</b> Screw down terminal connection. Fits up to 12AWG solid copper wire.			
Output	<b>Voltage (Full Load)</b> 12VDC ± 5%			
	<b>Max Current (Full Load)</b> .83A 1.66A 2.50A 3.75A			
	<b>Power (Wattage)</b> 10W 20W 30W 45W			
	<b>Wire or Terminal Connection</b> Terminal Connection. Screw down terminal connection. Fits up to 12AWG solid copper wire. No framed ground connection.			
	<b># Output Connections</b> 1			
Environment	<b>Ambient Temperature <sup>1</sup></b> -40 ~ +140°F (-40 ~ +60°C)			
	<b>Operating Temperature <sup>2</sup></b> -40 ~ +176°F (-40 ~ +80°C)			
	<b>Location</b> Suitable for indoor/dry locations / IP40			
	<b>Working Humidity</b> 20~90% RH, non-condensing.			
	<b>Class 2 Compliant</b> Yes			
	<b>Housing / Cooling</b> Cooling by free-air convection.			
Additional Information	<b>Safety Standards</b> cULus (US & Canada) Listed, UL # E467524. ANSI/UL 1310 Class 2 Power Unit. CAN/CSA-C22.2 No. 223. EN-60950-1, EN-61347-1/-2/-13.			
	<b>Protections</b> Hiccup mode, recovers automatically after fault condition is removed. Short circuit and over current protection.			
	<b>Dimmable</b> Yes. Install a compatible TRIAC dimmer listed on the 'OMNIDRIVE / Dimming Control Compatibility List'. Not compatible with PWM controls.			
	<b>Minimum Load</b> Load at least 60% labeled load (dimmable installations only).			
	<b>Maximum Load <sup>3</sup></b> See 'Derating Curve'			
	<b>Dimensions</b> 5.5 x 1.8 x 1.1 in. (L x W x H) 5.5 x 1.8 x 1.1 in. (L x W x H) 7 x 2.3 x 1.4 in. (L x W x H) 7 x 2.3 x 1.4 in. (L x W x H)			
	<b>Weight</b> 3.8 oz. 3.8 oz. 11.6 oz. 11.6 oz.			
	<b>Warranty</b> 3 years			

**Note <sup>1</sup>** Do not install product in an environment outside the listed ambient temperature. Ensure adequate airflow and heatsinking is considered when mounting/installing. Exceeding the maximum ambient temperature may damage LED chips by reducing the total lamp life, lumen output, and/or adversely impact color consistency.

**Note <sup>2</sup>** Operating temperature is measured according to the minimum and maximum ambient temperature environment.

**Note <sup>3</sup>** When installing in ambient temperatures that may reach over 100°F, refer to the 'Derating Curve' to avoid overheating and damage to the driver.

SS090518 2.0

**SPECIFICATIONS (24V MODELS)**

		DI-TD-24V-10W	DI-TD-24V-20W	DI-TD-24V-30W	DI-TD-24V-45W
Input	Voltage / Frequency	90~135VAC at ~50/60Hz			
	Current (Full Load)	0.17A (~120VAC)	0.14A (~120VAC)	0.14A (~120VAC)	0.34A (~120VAC)
	Efficiency / Power Factor (max)	>82% / >0.92 (~110VAC)	>85% / >0.92 (~110VAC)	>84% / >0.92 (~110VAC)	>85% / >0.94 (~120VAC)
	Wire or Terminal Connection	Terminal Connection. Screw down terminal connection. Fits up to 12AWG solid copper wire.			
Output	Voltage (Full Load)	24VDC ± 5%			
	Max Current (Full Load)	.416A	.83A	1.25A	1.875A
	Power (Wattage) <sup>1</sup>	10W	20W	30W	45W
	Wire or Terminal Connection	Terminal Connection. Screw down terminal connection. Fits up to 12AWG solid copper wire. No framed ground connection.			
	# Output Connections	1			
Environment	Ambient Temperature <sup>1</sup>	-40 ~ +140°F (-40 ~ +60°C)			
	Operating Temperature <sup>2</sup>	-40 ~ +176°F (-40 ~ +80°C)			
	Location	Suitable for indoor/dry locations / IP40			
	Working Humidity	20~90% RH, non-condensing.			
	Class 2 Compliant	Yes			
	Housing / Cooling	Cooling by free-air convection.			
Additional Information	Safety Standards	cULus (US & Canada) Listed, UL # E467524. ANSI/UL 1310 Class 2 Power Unit. CAN/CSA-C22.2 No. 223. EN-60950-1, EN-61347-1/-2/-13.			
	Protections	Hiccup mode, recovers automatically after fault condition is removed. Short circuit and over current protection.			
	Dimmable	Yes. May be paired with a compatible TRIAC dimmer listed on the 'OMNIDRIVE / Dimming Control Compatibility List'.			
	Minimum Load	Load at least 60% labeled load (dimmable installations only).			
	Maximum Load <sup>3</sup>	See 'Derating Curve'			
	Warranty	3 years			

**Note <sup>1</sup>** Do not install product in an environment outside the listed ambient temperature. Ensure adequate airflow and heatsinking is considered when mounting/installing. Exceeding the maximum ambient temperature may damage LED chips by reducing the total lamp life, lumen output, and/or adversely impact color consistency.

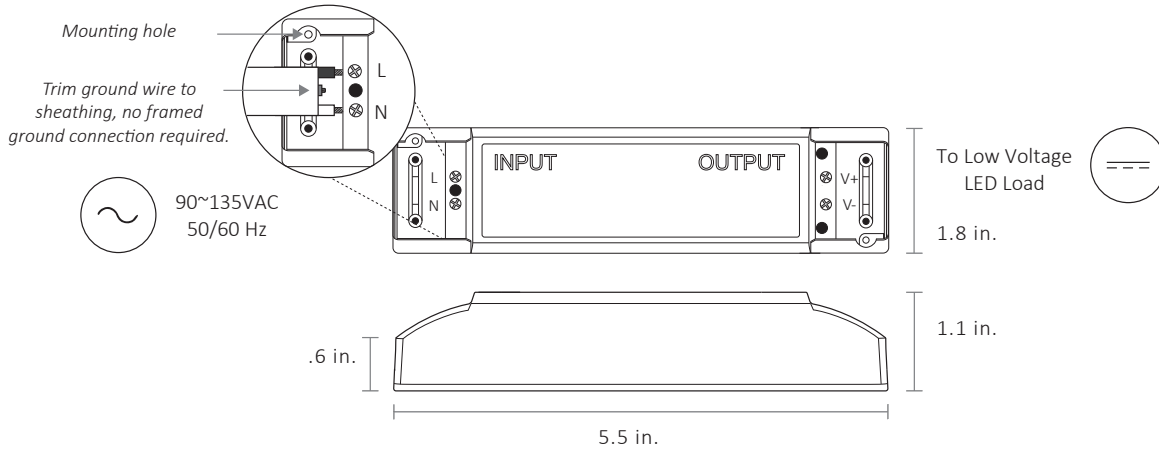
**Note <sup>2</sup>** Operating temperature is measured according to the minimum and maximum ambient temperature environment.

**Note <sup>3</sup>** When installing in ambient temperatures that may reach over 100°F, refer to the 'Derating Curve' to avoid overheating and damage to the driver.

**MECHANICAL DIAGRAM**

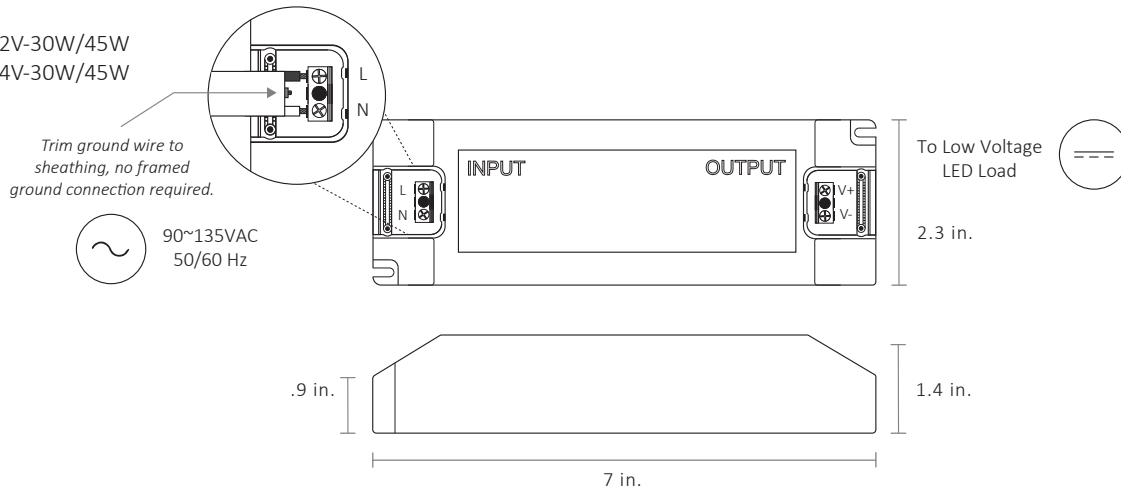
**Models**

- DI-TD-12V-10W/20W
- DI-TD-24V-10W/20W



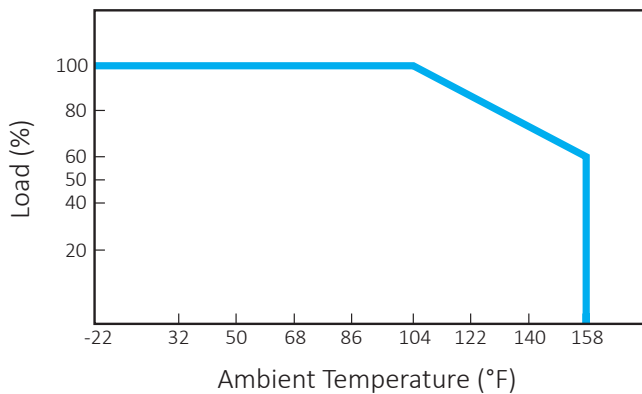
**Models**

- DI-TD-12V-30W/45W
- DI-TD-24V-30W/45W



**DERATING CURVE**

When installing in ambient temperatures that may reach over 100°F, refer to the 'Derating Curve' to avoid overheating and damage to the driver.



SS090518 2.0

## ADDITIONAL RESOURCES

Visit the online product page at [www.DiodeLED.com](http://www.DiodeLED.com) for additional resources including:

- **OMNIDRIVE® Installation Guide**  
For system diagrams and full installation instructions.
- **OMNIDRIVE® / Control Compatibility List**  
For compatible dimming controls.
- **Voltage Drop Charts**  
Use to specify appropriate wire gauge for installation. Available at the 'Tools & Resources' page at [www.DiodeLED.com](http://www.DiodeLED.com).

## SAFETY & WARNINGS

- Install in accordance with the National Electric Code, and local regulations.
- This product is intended to be installed and serviced by a qualified, licensed electrician.
- Only install compatible LED fixtures & controls. Only use copper wiring.
- Proper heat dissipation will prolong the working lifespan of this product. Install in a well-ventilated area free from explosive gases and vapors.
- Ensure applicable wire is installed between driver, fixture, and any controls in between. When choosing wire, factor in voltage drop, amperage rating, and type (in-wall rated, wet location rated, etc.). Inadequate wire installation could overheat wires, and cause a fire.
- Do not install if product has any visible damage.
- Do not modify or disassemble this product beyond instructions or the warranty will be void.

## WARRANTY

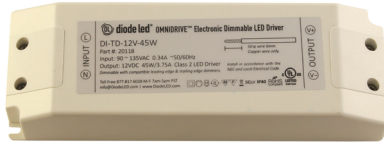
### Limited Warranty

This product has a three (3) year limited warranty from the date of shipment. This warranty does not include the additional accessories referenced in this specification sheet. Complete warranty details for fixtures and additional accessories are available at [www.DiodeLED.com](http://www.DiodeLED.com) under the 'Tools & Resources' tab. For warranty related questions, please contact customer service.

### Consumer's Acknowledgment

Diode LED stands behind its products when they are used properly and according to our specifications. By purchasing our products, the purchaser agrees and acknowledges that lighting design, configuration and installation is a complex process, wherein seemingly minor factors or changes in layout and infield adjustments can have a significant impact on an entire system. Choosing the right components is essential. Diode LED is able to work with the original purchaser to make an appropriate product selection to the extent of the limited information that the customer can provide, but it is virtually impossible for Diode LED to design a system that foresees every unknown factor. For this reason, this Warranty does not cover problems caused by improper design, configuration or installation issues. Any statement from a Diode LED employee or agent regarding a customer's bill of goods and/or purchase order is NOT an acknowledgement that the products purchased are designed and configured correctly. The purchaser agrees and acknowledges that it is the customer's responsibility to adhere strictly to all information contained in the Product Specification Sheets.

There is often more than one way to design, configure and layout an LED lighting application properly to achieve the same lighting effect. Diode LED strongly recommends that licensed professionals be used in the design and installation of lighting systems that include Diode LED products. The specifications include important information that a designer and installer should carefully review and strictly follow. Qualified designers and certified and/or licensed installers, with access to the final installation environment, customer goals, and Diode LED product specifications can make the requisite decisions appropriate for a successful finished lighting application.



Specified Item #	
Project	
Location	



**SPECIFICATIONS (12V MODELS)**

		DI-TD-12V-10W	DI-TD-12V-20W	DI-TD-12V-30W	DI-TD-12V-45W
Input	Voltage / Frequency	90~135VAC at ~50/60Hz			
	Current (Full Load)	0.17A (~110VAC)	0.14A (~110VAC)	0.14A (~110VAC)	0.34A (~110VAC)
	Efficiency / Power Factor (max)	>81% / >0.92 (~120VAC)	>86% / >0.92 (~110VAC)	>83% / >0.92 (~110VAC)	>84% / >0.94 (~110VAC)
	Wire or Terminal Connection	Screw down terminal connection. Fits up to 12AWG solid copper wire.			
Output	Voltage (Full Load)	12VDC ± 5%			
	Max Current (Full Load)	.83A	1.66A	2.50A	3.75A
	Power (Wattage)	10W	20W	30W	45W
	Wire or Terminal Connection	Terminal Connection. Screw down terminal connection. Fits up to 12AWG solid copper wire. No framed ground connection.			
	# Output Connections	1			
Environment	Ambient Temperature <sup>1</sup>	-40 ~ +140°F (-40 ~ +60°C)			
	Operating Temperature <sup>2</sup>	-40 ~ +176°F (-40 ~ +80°C)			
	Location	Suitable for indoor/dry locations / IP40			
	Working Humidity	20~90% RH, non-condensing.			
	Class 2 Compliant	Yes			
	Housing / Cooling	Cooling by free-air convection.			
Additional Information	Safety Standards	cULus (US & Canada) Listed, UL # E467524. ANSI/UL 1310 Class 2 Power Unit. CAN/CSA-C22.2 No. 223. EN-60950-1, EN-61347-1/-2/-13.			
	Protections	Hiccup mode, recovers automatically after fault condition is removed. Short circuit and over current protection.			
	Dimmable	Yes. Install a compatible TRIAC dimmer listed on the 'OMNIDRIVE / Dimming Control Compatibility List'. Not compatible with PWM controls.			
	Minimum Load	Load at least 60% labeled load (dimmable installations only).			
	Maximum Load <sup>3</sup>	See 'Derating Curve'			
	Dimensions	5.5 x 1.8 x 1.1 in. ( L x W x H )	5.5 x 1.8 x 1.1 in. ( L x W x H )	7 x 2.3 x 1.4 in. ( L x W x H )	7 x 2.3 x 1.4 in. ( L x W x H )
	Weight	3.8 oz.	3.8 oz.	11.6 oz.	11.6 oz.
	Warranty	3 years			

**Note <sup>1</sup>** Do not install product in an environment outside the listed ambient temperature. Ensure adequate airflow and heatsinking is considered when mounting/installing. Exceeding the maximum ambient temperature may damage LED chips by reducing the total lamp life, lumen output, and/or adversely impact color consistency.

**Note <sup>2</sup>** Operating temperature is measured according to the minimum and maximum ambient temperature environment.

**Note <sup>3</sup>** When installing in ambient temperatures that may reach over 100°F, refer to the 'Derating Curve' to avoid overheating and damage to the driver.

SS090518 2.0

**SPECIFICATIONS (24V MODELS)**

		DI-TD-24V-10W	DI-TD-24V-20W	DI-TD-24V-30W	DI-TD-24V-45W
Input	Voltage / Frequency	90~135VAC at ~50/60Hz			
	Current (Full Load)	0.17A (~120VAC)	0.14A (~120VAC)	0.14A (~120VAC)	0.34A (~120VAC)
	Efficiency / Power Factor (max)	>82% / >0.92 (~110VAC)	>85% / >0.92 (~110VAC)	>84% / >0.92 (~110VAC)	>85% / >0.94 (~120VAC)
	Wire or Terminal Connection	Terminal Connection. Screw down terminal connection. Fits up to 12AWG solid copper wire.			
Output	Voltage (Full Load)	24VDC ± 5%			
	Max Current (Full Load)	.416A	.83A	1.25A	1.875A
	Power (Wattage) <sup>1</sup>	10W	20W	30W	45W
	Wire or Terminal Connection	Terminal Connection. Screw down terminal connection. Fits up to 12AWG solid copper wire. No framed ground connection.			
	# Output Connections	1			
Environment	Ambient Temperature <sup>1</sup>	-40 ~ +140°F (-40 ~ +60°C)			
	Operating Temperature <sup>2</sup>	-40 ~ +176°F (-40 ~ +80°C)			
	Location	Suitable for indoor/dry locations / IP40			
	Working Humidity	20~90% RH, non-condensing.			
	Class 2 Compliant	Yes			
	Housing / Cooling	Cooling by free-air convection.			
Additional Information	Safety Standards	cULus (US & Canada) Listed, UL # E467524. ANSI/UL 1310 Class 2 Power Unit. CAN/CSA-C22.2 No. 223. EN-60950-1, EN-61347-1/-2/-13.			
	Protections	Hiccup mode, recovers automatically after fault condition is removed. Short circuit and over current protection.			
	Dimmable	Yes. May be paired with a compatible TRIAC dimmer listed on the 'OMNIDRIVE / Dimming Control Compatibility List'.			
	Minimum Load	Load at least 60% labeled load (dimmable installations only).			
	Maximum Load <sup>3</sup>	See 'Derating Curve'			
	Warranty	3 years			

**Note <sup>1</sup>** Do not install product in an environment outside the listed ambient temperature. Ensure adequate airflow and heatsinking is considered when mounting/installing. Exceeding the maximum ambient temperature may damage LED chips by reducing the total lamp life, lumen output, and/or adversely impact color consistency.

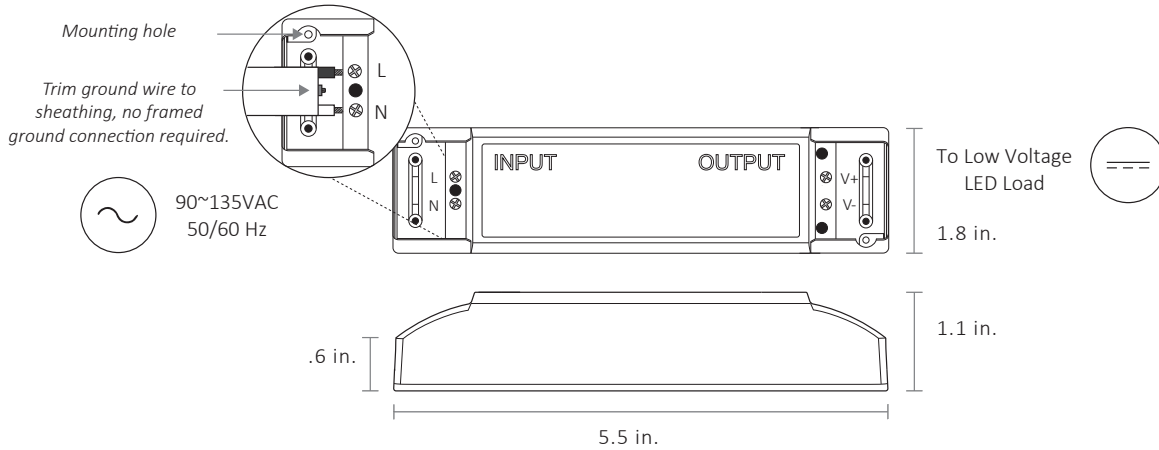
**Note <sup>2</sup>** Operating temperature is measured according to the minimum and maximum ambient temperature environment.

**Note <sup>3</sup>** When installing in ambient temperatures that may reach over 100°F, refer to the 'Derating Curve' to avoid overheating and damage to the driver.

**MECHANICAL DIAGRAM**

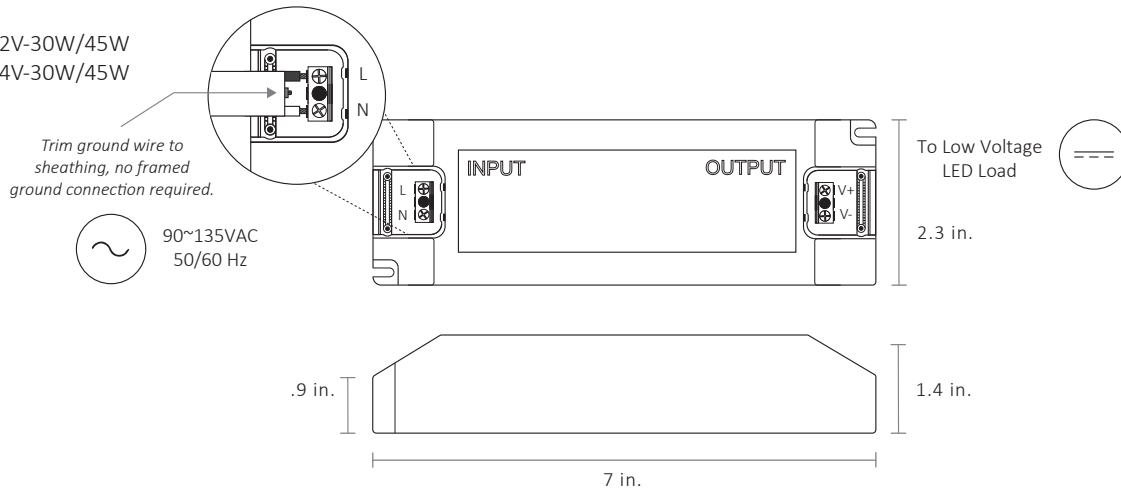
**Models**

- DI-TD-12V-10W/20W
- DI-TD-24V-10W/20W



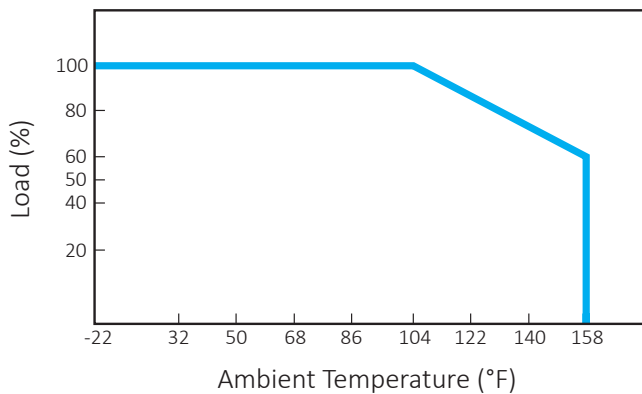
**Models**

- DI-TD-12V-30W/45W
- DI-TD-24V-30W/45W



**DERATING CURVE**

When installing in ambient temperatures that may reach over 100°F, refer to the 'Derating Curve' to avoid overheating and damage to the driver.



## ADDITIONAL RESOURCES

Visit the online product page at [www.DiodeLED.com](http://www.DiodeLED.com) for additional resources including:

- **OMNIDRIVE® Installation Guide**  
For system diagrams and full installation instructions.
- **OMNIDRIVE® / Control Compatibility List**  
For compatible dimming controls.
- **Voltage Drop Charts**  
Use to specify appropriate wire gauge for installation. Available at the 'Tools & Resources' page at [www.DiodeLED.com](http://www.DiodeLED.com).

## SAFETY & WARNINGS

- Install in accordance with the National Electric Code, and local regulations.
- This product is intended to be installed and serviced by a qualified, licensed electrician.
- Only install compatible LED fixtures & controls. Only use copper wiring.
- Proper heat dissipation will prolong the working lifespan of this product. Install in a well-ventilated area free from explosive gases and vapors.
- Ensure applicable wire is installed between driver, fixture, and any controls in between. When choosing wire, factor in voltage drop, amperage rating, and type (in-wall rated, wet location rated, etc.). Inadequate wire installation could overheat wires, and cause a fire.
- Do not install if product has any visible damage.
- Do not modify or disassemble this product beyond instructions or the warranty will be void.

## WARRANTY

### Limited Warranty

This product has a three (3) year limited warranty from the date of shipment. This warranty does not include the additional accessories referenced in this specification sheet. Complete warranty details for fixtures and additional accessories are available at [www.DiodeLED.com](http://www.DiodeLED.com) under the 'Tools & Resources' tab. For warranty related questions, please contact customer service.

### Consumer's Acknowledgment

Diode LED stands behind its products when they are used properly and according to our specifications. By purchasing our products, the purchaser agrees and acknowledges that lighting design, configuration and installation is a complex process, wherein seemingly minor factors or changes in layout and infield adjustments can have a significant impact on an entire system. Choosing the right components is essential. Diode LED is able to work with the original purchaser to make an appropriate product selection to the extent of the limited information that the customer can provide, but it is virtually impossible for Diode LED to design a system that foresees every unknown factor. For this reason, this Warranty does not cover problems caused by improper design, configuration or installation issues. Any statement from a Diode LED employee or agent regarding a customer's bill of goods and/or purchase order is NOT an acknowledgement that the products purchased are designed and configured correctly. The purchaser agrees and acknowledges that it is the customer's responsibility to adhere strictly to all information contained in the Product Specification Sheets.

There is often more than one way to design, configure and layout an LED lighting application properly to achieve the same lighting effect. Diode LED strongly recommends that licensed professionals be used in the design and installation of lighting systems that include Diode LED products. The specifications include important information that a designer and installer should carefully review and strictly follow. Qualified designers and certified and/or licensed installers, with access to the final installation environment, customer goals, and Diode LED product specifications can make the requisite decisions appropriate for a successful finished lighting application.