

DESCRIPTION

The CU2SQ Series offers quality and value with a compact and attractive LED based emergency light. The white or black housing and lamp-heads are made of high impact UL flame rated thermoplastic. The square LED lamp-heads are fully adjustable and glare-free. Snap together design for quick and easy installation with option of wall or ceiling mount. The remote capacity unit will run 2 Compass CIR/ COR Series single remote lamp-heads or 1 double CIR/ COR remote. Also available with self-test/self-diagnostics to monitor battery/charger failure, battery disconnect and lamp failure.

APPLICATION

The CU2SQ Series can be applied in stair-wells, hallways, offices and commercial applications.

COMPLIANCES

UL924 Listed for Damp Location
 NFPA 101 and NFPA 70
 OSHA

SELF-DIAGNOSTIC FEATURES

- Fault identification for battery, charger, LED integral lamps and remotes
- Self-Testing monthly and annual for 90 minutes
- Manual testing for 30 second, 15 minute and 90 minutes



FEATURES

- LED life-cycle of more than 10 years
- Quick installation
- Dual-voltage 120 or 277V AC input
- Includes long-life Nickel Cadmium battery for UL recognized 90 minute emergency lighting
- Remote capacity or extended runtime option
- Damp Location Listed 20°C to 30°C (68°F to 86°F)
- Fully adjustable lamp-heads
- Provided with test switch and AC-On indicator
- Remote Capacity (RC) models and AC-On indicator
- Wall or Ceiling mount
- Remote Capacity (RC) Models have a minimum runtime of 120 minutes when no remotes are installed

WARRANTY

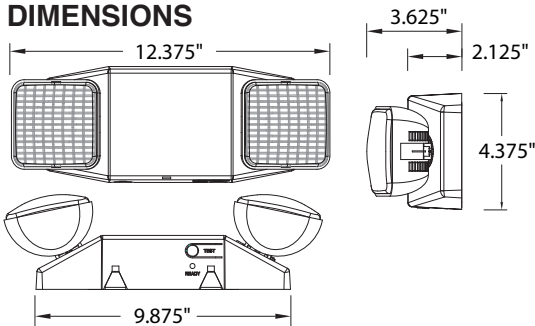
2 year full unit warranty

ORDERING GUIDE

Catalog Number	Description
CU2SQ	White Thermoplastic, Dual Square Head Emergency Light, 120/277VAC Input, Damp Location Listed, 3.6VDC Output, 0.79W per lamp, NiCad Battery, CEC T20 compliant.
CU2SQB	Black Thermoplastic, Dual Square Head Emergency Light, 120/277VAC Input, Damp Location Listed, 3.6VDC Output, 0.79W per lamp, NiCad Battery
CU2RCSQ	White Thermoplastic, Dual Square Head Emergency Light, 120/277VAC Input, Damp Location Listed, 3.6VDC Output, 0.79W per lamp, 2.3W of remote capacity to run CIR/COR remotes, NiMH Battery
CU2SQSD	White Thermoplastic, Dual Square Head Emergency Light, 120/277VAC Input, Damp Location Listed, 3.6VDC Output, 0.79W per lamp, Self-Test/Self-Diagnostics, NiCad Battery
CU2RCSQSD	White Thermoplastic, Dual Square Head Emergency Light, 120/277VAC Input, Damp Location Listed, 3.6VDC Output, 0.79W per lamp, Remote Capacity, Self-Test/Self-Diagnostics, NiMH Battery

Note: Remote Capacity Unit will only power the Compass Indoor and Outdoor Remote(CIR and COR Series)

DIMENSIONS



Single Carton Weight: 1 lbs.
Master Carton Quantity: 12 each

ENERGY CONSUMPTION

	120 VAC	277 VAC
CU2SQ	1.8 W	1.8 W
CU2RCSQ	2.5 W	2.5 W

ACCESSORIES

WGLZ Wireguard - 6.25" H X 14" W X 4" D
 CIR Series - Matching LED Indoor Remote Heads
 COR Series - Matching LED Outdoor Remote Heads



DESCRIPTION

The CU2SQ Series offers quality and value with a compact and attractive LED based emergency light. The white or black housing and lamp-heads are made of high impact UL flame rated thermoplastic. The square LED lamp-heads are fully adjustable and glare-free. Snap together design for quick and easy installation with option of wall or ceiling mount. The remote capacity unit will run 2 Compass CIR/ COR Series single remote lamp-heads or 1 double CIR/ COR remote. Also available with self-test/self-diagnostics to monitor battery/charger failure, battery disconnect and lamp failure.

APPLICATION

The CU2SQ Series can be applied in stair-wells, hallways, offices and commercial applications.

COMPLIANCES

UL924 Listed for Damp Location
 NFPA 101 and NFPA 70
 OSHA

SELF-DIAGNOSTIC FEATURES

- Fault identification for battery, charger, LED integral lamps and remotes
- Self-Testing monthly and annual for 90 minutes
- Manual testing for 30 second, 15 minute and 90 minutes



FEATURES

- LED life-cycle of more than 10 years
- Quick installation
- Dual-voltage 120 or 277V AC input
- Includes long-life Nickel Cadmium battery for UL recognized 90 minute emergency lighting
- Remote capacity or extended runtime option
- Damp Location Listed 20°C to 30°C (68°F to 86°F)
- Fully adjustable lamp-heads
- Provided with test switch and AC-On indicator
- Remote Capacity (RC) models and AC-On indicator
- Wall or Ceiling mount
- Remote Capacity (RC) Models have a minimum runtime of 120 minutes when no remotes are installed

WARRANTY

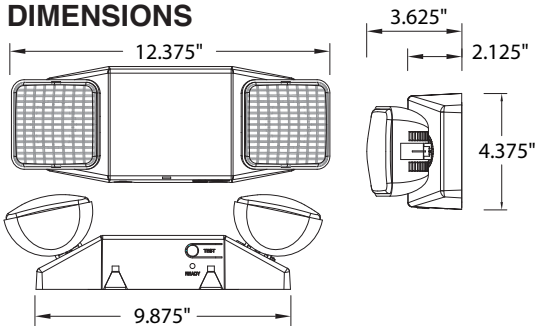
2 year full unit warranty

ORDERING GUIDE

Catalog Number	Description
CU2SQ	White Thermoplastic, Dual Square Head Emergency Light, 120/277VAC Input, Damp Location Listed, 3.6VDC Output, 0.79W per lamp, NiCad Battery, CEC T20 compliant.
CU2SQB	Black Thermoplastic, Dual Square Head Emergency Light, 120/277VAC Input, Damp Location Listed, 3.6VDC Output, 0.79W per lamp, NiCad Battery
CU2RCSQ	White Thermoplastic, Dual Square Head Emergency Light, 120/277VAC Input, Damp Location Listed, 3.6VDC Output, 0.79W per lamp, 2.3W of remote capacity to run CIR/COR remotes, NiMH Battery
CU2SQSD	White Thermoplastic, Dual Square Head Emergency Light, 120/277VAC Input, Damp Location Listed, 3.6VDC Output, 0.79W per lamp, Self-Test/Self-Diagnostics, NiCad Battery
CU2RCSQSD	White Thermoplastic, Dual Square Head Emergency Light, 120/277VAC Input, Damp Location Listed, 3.6VDC Output, 0.79W per lamp, Remote Capacity, Self-Test/Self-Diagnostics, NiMH Battery

Note: Remote Capacity Unit will only power the Compass Indoor and Outdoor Remote(CIR and COR Series)

DIMENSIONS



Single Carton Weight: 1 lbs.
Master Carton Quantity: 12 each

ENERGY CONSUMPTION

	120 VAC	277 VAC
CU2SQ	1.8 W	1.8 W
CU2RCSQ	2.5 W	2.5 W

ACCESSORIES

WGLZ Wireguard - 6.25" H X 14" W X 4" D
 CIR Series - Matching LED Indoor Remote Heads
 COR Series - Matching LED Outdoor Remote Heads

