

SURE-LITES

Installation Instructions for CU-2 Emergency Lighting Fixtures

IMPORTANT SAFEGUARDS

WHEN USING ELECTRICAL EQUIPMENT, BASIC SAFETY PRECAUTIONS SHOULD ALWAYS BE OBSERVED INCLUDING THE FOLLOWING:

1. READ AND FOLLOW ALL SAFETY INSTRUCTIONS

2. Do not use outdoors.
3. Do not mount near gas or electric heaters.
4. Equipment should be mounted in locations and at heights where it will not readily be subjected to tampering by unauthorized personnel.
5. The use of accessory equipment not recommended by Sure-Lites may cause an unsafe condition.
6. To be completed by a qualified electrician only.
7. Disconnect power supply before servicing fixture.
8. Do not use this equipment for other than its intended purpose.

9. SAVE THESE INSTRUCTIONS

INSTALLATION

Step 1. Turn off AC Power.

Step 2. Remove mounting plate from housing by removing both lenses and depressing two tabs, one on each side of housing. (Fig. 1)

Step 3. For wall mounting, knock out the center hole and the desired mounting pattern on the mounting plate. Bring supply wires out of the center hole. (Fig. 2)

Step 4. Mount the mounting plate to wall or outlet box at desired position.

Step 5. For conduit entry, drill out a 7/8" hole on the mounting plate to accept conduit fitting. For pendant kits, drill out a 9/16" hole. Finish by cutting corresponding entry slot on housing. (Fig.2)

Step 6. Snap tether strap (2) over integral posts on the mounting plate. Rest housing against wall. (Fig. 2)

Step 7. Extend switched 24 hour supply to fixture and connect (120V-Black, 277V-Orange, Neutral-White.) (Fig.3) Cap unused supply lead.

NOTE: For outlet box mounting, push wires and connectors back into outlet box.

Step 8. When ready to install housing, connect red lead to battery positive or blue lead to battery negative terminal.

Step 9. Hang housing on mounting plate top first and pivot bottom towards wall.

Step 10. Replace both lenses.

NOTE: When the word out that is engraved on the lenses is located on top of the unit the light will be thrown forward and down towards the ground. If the word out is on the bottom of the unit the light will be thrown forward and up. (Fig. 1)

Step 11. Energize AC Power Supply.

NOTE: The lamps listed herein, when used according to these instructions with this unit are in accordance with the requirements of CSA standard C22.2 No. 141, Unit Equipment for Emergency Lighting

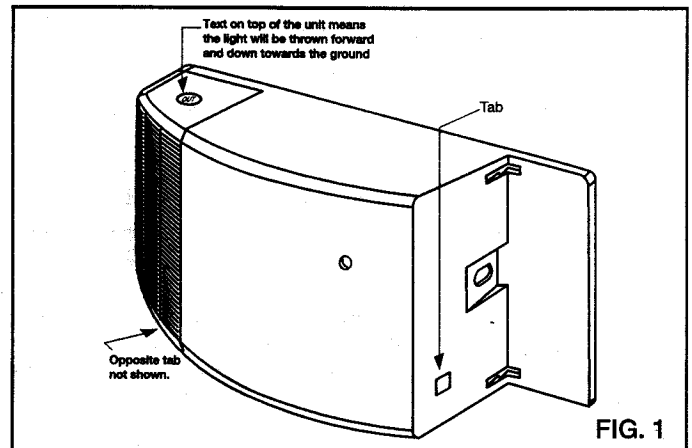


FIG. 1

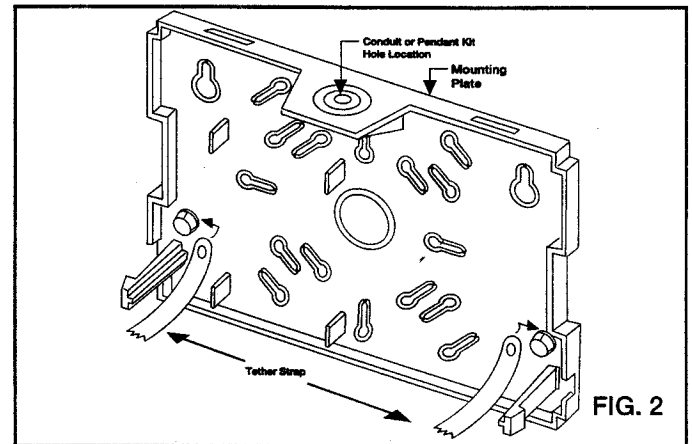


FIG. 2

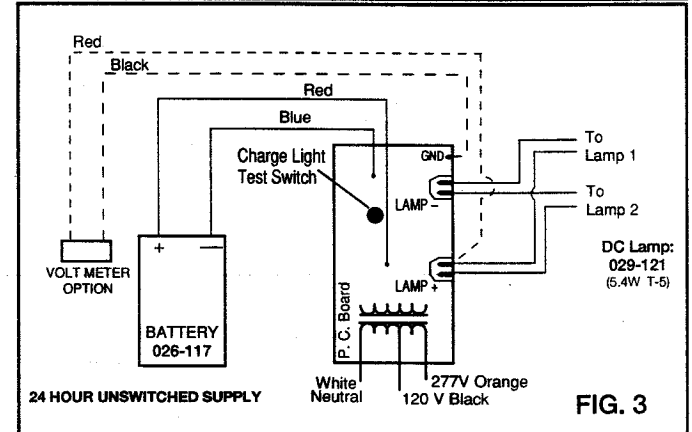


FIG. 3

MAINTENANCE

Replace batteries every 8 to 10 years according to ambient. Equipment should be tested regularly in accordance with local codes.

NOTE: Servicing of any parts should be performed by qualified personnel. For replacement lamps, battery or pc board, consult your local Sure-Lites representative or the factory for assistance.

OPERATION

1. To test, depress test switch. DC lamps will come on. Charge indicator will stay on.
2. Release test switch. DC lamps will extinguish.

CAUTION: This series emergency light is furnished with a sophisticated low voltage battery dropout circuit to protect battery from over discharge after its useful output has been used. Allow 24 hour recharge time after installation or power failure for full load testing.

TROUBLE SHOOTING GUIDE

EMERGENCY LAMPS DO NOT COME ON
PILOT LIGHT OUT BEFORE TEST.

1. Check AC Supply - Be sure unit has 24 hour AC supply.

PILOT LIGHT ON
LAMPS DO NOT LIGHT.

1. High output shorted or battery not connected.

EMERGENCY LAMPS COME ON DIM

1. Battery discharged - permit unit to charge for 24 hours and then retest. If lamps are still dim, check charger for charge function. If functioning properly, replace battery.

If following the above trouble shooting hints does not solve your problem, contact your local Sure-Lites Representative or the factory for assistance.

Sure-Lites Emergency Lighting Equipment is designed to comply with the Life Safety Code, NFPA-101. To insure compliance with the Code, periodic testing of the equipment is required. A functional test shall be conducted on every battery-powered emergency light or exit fixture at 30-day intervals for a minimum of 30 seconds. An annual test shall be conducted for 1-1/2 hour duration. Equipment shall be fully operational for the test duration. In accordance with Code requirements, written records of visual inspections and tests shall be kept for review by the authority having jurisdiction.