

Skylark Contour™ Incandescent

Captive knob slide dimmer with an easy to use rocker switch.

Product Family Features

- On / off rocker switch with a captive linear-slide dimmer for a standard designer wallplate opening
- Switch returns light to previous level
- Uses standard single-pole and 3-way wiring for easy installation in any home
- eco-dim® model guarantees at least 15% energy savings and 3x bulb life compared to a standard switch
- eco-minder® model features an LED that turns from red to green when 15% energy savings is achieved. LED brightens as you dim further and more energy is saved
- C•L™ model provides reliable dimming performance for dimmable CFL and LED bulbs (Please see separate C•L Specification Submittal)
- 100% factory tested
- Coordinating Claro® and Stainless Steel wallplates available separately
- Available in all Claro gloss colors



* Faceplate sold separately

Job Name:	Model Numbers:
Job Number:	

Specifications

Regulatory Approvals

- UL Listed to US and Canadian safety standards UL1472 / CSA C22.2 184.1

Power and Ratings

- 120 V~ 60 Hz
- 600 W Incandescent/Halogen

Environment

- For indoor use only.
- Operating temperatures 32 °F (0 °C) to 104 °F (40 °C).

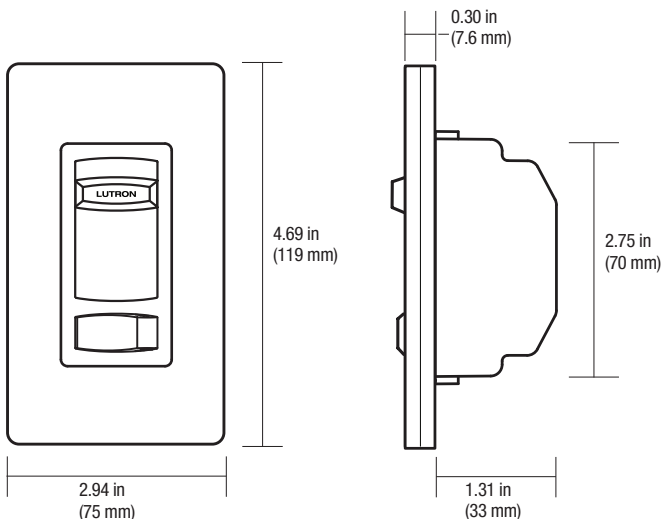
Performance

- Power-failure memory
- Captive linear slider
- Electrostatic discharge tested
- Precise color matching
- Mechanical air-gap switch to disconnect load power

Dimmer Capacity Chart

Dimmer Rating	No sides removed	1 side removed	2 sides removed
600 W	600 W max	500 W max	400 W max

Dimensions



Available Model Numbers

Skylark Contour Dimmers

Single-pole	600W	CT-600P- <u>CC</u> ²
3-way ¹	600W	CT-603P- <u>CC</u> ²

Skylark Contour eco-dim Dimmers

Single-pole / 3-way ¹	600W	CT-603PG- <u>DD</u> ³
----------------------------------	------	----------------------------------

Skylark Contour eco-minder Dimmers

Single-pole / 3-way ¹	600W	CT-603PI- <u>DD</u> ³
----------------------------------	------	----------------------------------

Notes:

- ¹ For 3-way and 4-way switching, use with Claro switches or other mechanical switches.
- ² CC Gloss color codes, see section “Standard Colors and Finishes” below
- ³ DD eco-dim and eco-minder dimmers are only available in white, ivory, almond and light almond finishes.

Standard Colors and Finishes

Gloss Finishes

Add color suffix to model #

Example: CT-600P-WH

WH	White
IV	Ivory
AL	Almond
LA	Light Almond
GR	Gray
BR	Brown
BL	Black

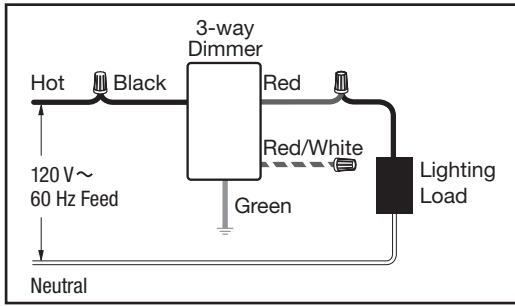
Warranty

- 1 Year Limited Warranty
For additional Warranty information, please visit http://www.lutron.com/TechnicalDocumentLibrary/369-119_Wallbox_Warranty.pdf

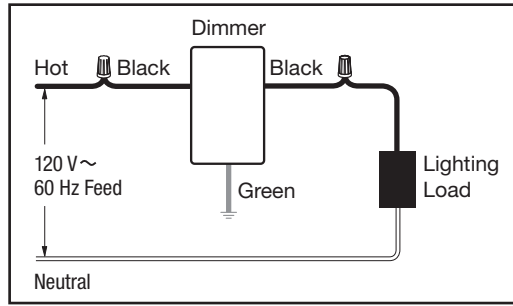
Job Name:	Model Numbers:
Job Number:	

Wiring Diagrams

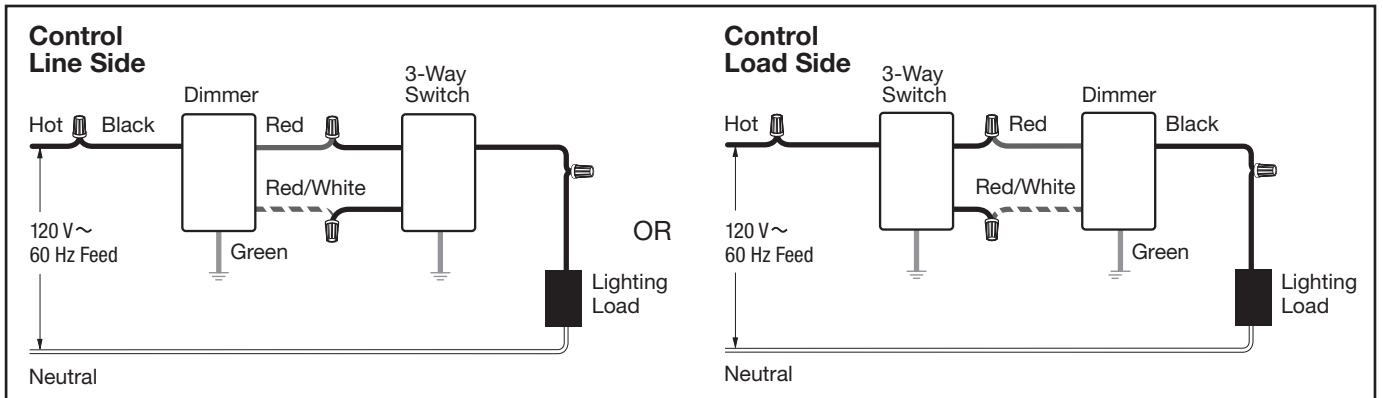
Single-Pole Wiring



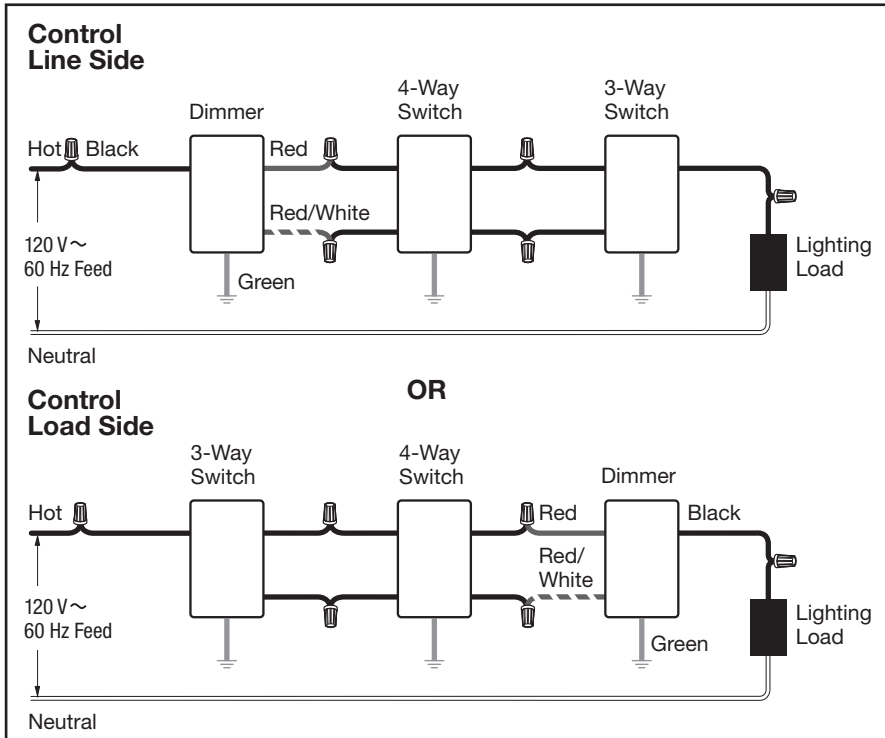
Single-Pole Wiring for CT-600P



3-Way Wiring



4-Way Wiring



Job Name:	Model Numbers:
Job Number:	

Skylark Contour™ Incandescent

Captive knob slide dimmer with an easy to use rocker switch.

Product Family Features

- On / off rocker switch with a captive linear-slide dimmer for a standard designer wallplate opening
- Switch returns light to previous level
- Uses standard single-pole and 3-way wiring for easy installation in any home
- eco-dim® model guarantees at least 15% energy savings and 3x bulb life compared to a standard switch
- eco-minder® model features an LED that turns from red to green when 15% energy savings is achieved. LED brightens as you dim further and more energy is saved
- C•L™ model provides reliable dimming performance for dimmable CFL and LED bulbs (Please see separate C•L Specification Submittal)
- 100% factory tested
- Coordinating Claro® and Stainless Steel wallplates available separately
- Available in all Claro gloss colors



Select light level with slider

Switch on to selected light level / off

* Faceplate sold separately

Job Name:	Model Numbers:
Job Number:	

Specifications

Regulatory Approvals

- UL Listed to US and Canadian safety standards UL1472 / CSA C22.2 184.1

Power and Ratings

- 120 V~ 60 Hz
- 600 W Incandescent/Halogen

Environment

- For indoor use only.
- Operating temperatures 32 °F (0 °C) to 104 °F (40 °C).

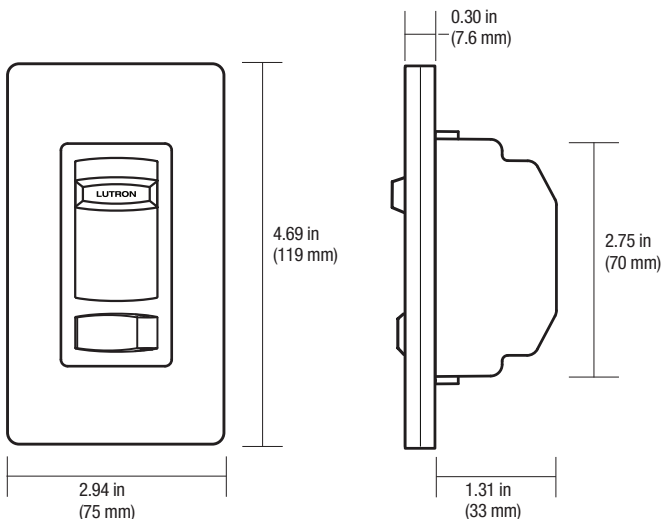
Performance

- Power-failure memory
- Captive linear slider
- Electrostatic discharge tested
- Precise color matching
- Mechanical air-gap switch to disconnect load power

Dimmer Capacity Chart

Dimmer Rating	No sides removed	1 side removed	2 sides removed
600 W	600 W max	500 W max	400 W max

Dimensions



Available Model Numbers

Skylark Contour Dimmers

Single-pole	600W	CT-600P- <u>CC</u> ²
3-way ¹	600W	CT-603P- <u>CC</u> ²

Skylark Contour eco-dim Dimmers

Single-pole / 3-way ¹	600W	CT-603PG- <u>DD</u> ³
----------------------------------	------	----------------------------------

Skylark Contour eco-minder Dimmers

Single-pole / 3-way ¹	600W	CT-603PI- <u>DD</u> ³
----------------------------------	------	----------------------------------

Notes:

¹ For 3-way and 4-way switching, use with Claro switches or other mechanical switches.

² CC Gloss color codes, see section “Standard Colors and Finishes” below

³ DD eco-dim and eco-minder dimmers are only available in white, ivory, almond and light almond finishes.

Standard Colors and Finishes

Gloss Finishes

Add color suffix to model #

Example: CT-600P-WH

WH	White
IV	Ivory
AL	Almond
LA	Light Almond
GR	Gray
BR	Brown
BL	Black

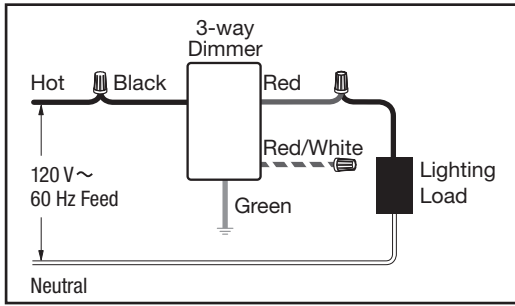
Warranty

- 1 Year Limited Warranty
- For additional Warranty information, please visit http://www.lutron.com/TechnicalDocumentLibrary/369-119_Wallbox_Warranty.pdf

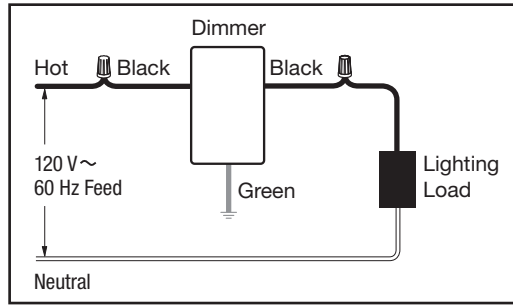
Job Name:	Model Numbers:
Job Number:	

Wiring Diagrams

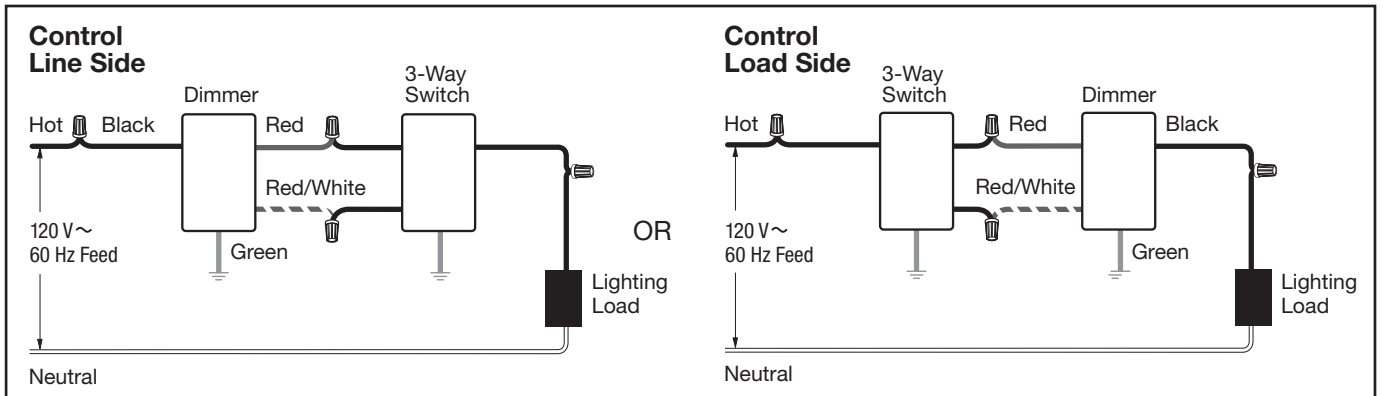
Single-Pole Wiring



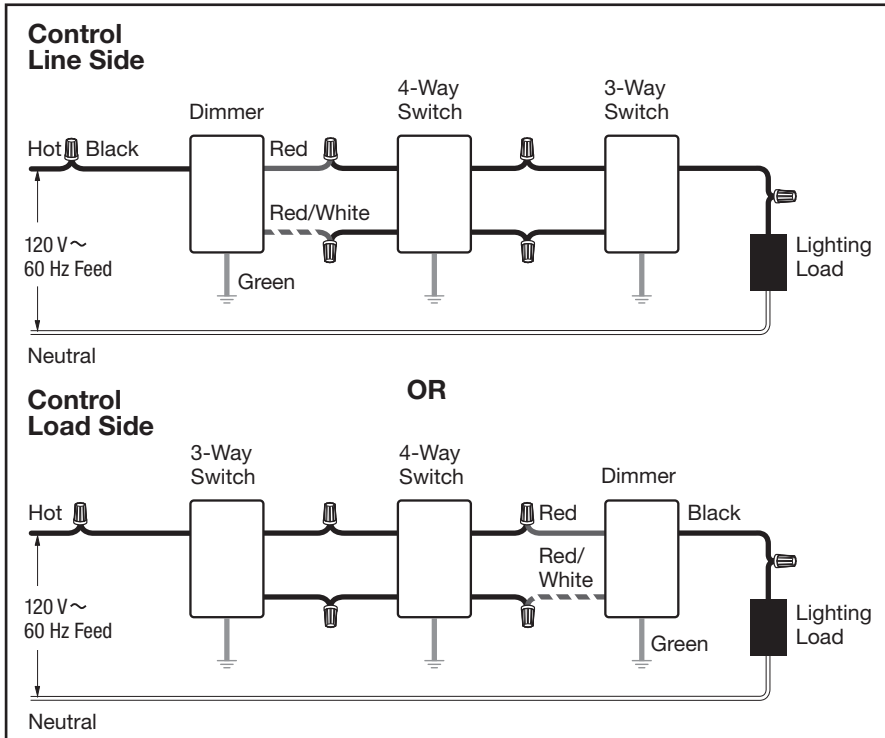
Single-Pole Wiring for CT-600P



3-Way Wiring



4-Way Wiring



Job Name:	Model Numbers:
Job Number:	