

# Straight Blade Devices

## 20A, 125V, 2 Pole, 3 Wire Grounding

### Hubbell-Pro™ Heavy Duty Duplex Receptacles

# HUBBELL

#### Features

- Triangle marking on face indicates isolated ground
- Slender/compact design
- Finder Groove Face



20A 125V  
NEMA 5-20R  
UL CSA  
1 HP



#### Ordering Information

Description	Device Color	UPC	Catalog Number
Isolated ground, back	Orange	783585387802	CR5352IG

#### Listings

UL Listed to UL498 File No. E2186  
Certified to CSA, C22.2, No. 42 File 285  
Fed. Spec. WC596  
NEMA® WD-6 Compliant

#### Specifications

Face	Nylon
Base	PBT
Mounting Strap	.040" (1) Galvanized steel
Ground Contacts	.031" (.8) Brass
Clamp	Nickel plated steel
Terminal Screws	Brass
Mounting Strap	Galvanized steel
Automatic Self-grounding Clip	Stainless steel
Mounting Screws	Stainless Steel

#### Performance

##### Electrical

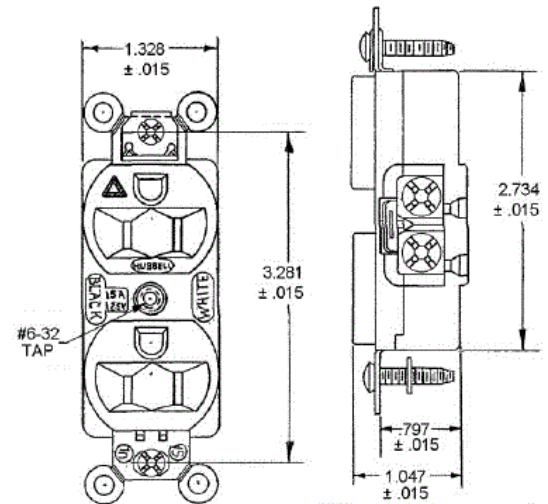
Current Interrupting	Certified for current interrupting at full rated current
Dielectric Voltage	Withstands 2,000V minimum

##### Mechanical

Product Identification	Ratings are a permanent part of the device
Terminal Accommodation	#12-#10 AWG copper stranded or solid conductor only
Terminal Identification	Terminals identified in accordance with UL 498 and CSA

##### Environmental

Flammability	UL 94 V-2
Operating Temperatures	Maximum continuous 75°C; minimum -40°C (w/o impact)



#### Online Resources

Customer Use Drawing  
eCatalog  
Installation Instructions

#### Accessories

Wallplate or Weatherproof Cover

Duplex Opening

Dimensions in Inches (mm)

Hubbell Wiring Device-Kellems • Hubbell Incorporated (Delaware) • 40 Waterview Drive • Shelton, CT 06484

Phone (800) 288-6000 • Fax (800) 255-1031 • Specifications subject to change without notice.



# Straight Blade Devices

## 20A, 125V, 2 Pole, 3 Wire Grounding

### Hubbell-Pro™ Heavy Duty Duplex Receptacles

# HUBBELL

#### Features

- Triangle marking on face indicates isolated ground
- Slender/compact design
- Finder Groove Face



20A 125V  
NEMA 5-20R  
UL CSA  
1 HP



#### Ordering Information

Description	Device Color	UPC	Catalog Number
Isolated ground, back	Orange	783585387802	CR5352IG

#### Listings

UL Listed to UL498 File No. E2186  
Certified to CSA, C22.2, No. 42 File 285  
Fed. Spec. WC596  
NEMA® WD-6 Compliant

#### Specifications

Face	Nylon
Base	PBT
Mounting Strap	.040" (1) Galvanized steel
Ground Contacts	.031" (.8) Brass
Clamp	Nickel plated steel
Terminal Screws	Brass
Mounting Strap	Galvanized steel
Automatic Self-grounding Clip	Stainless steel
Mounting Screws	Stainless Steel

#### Performance

##### Electrical

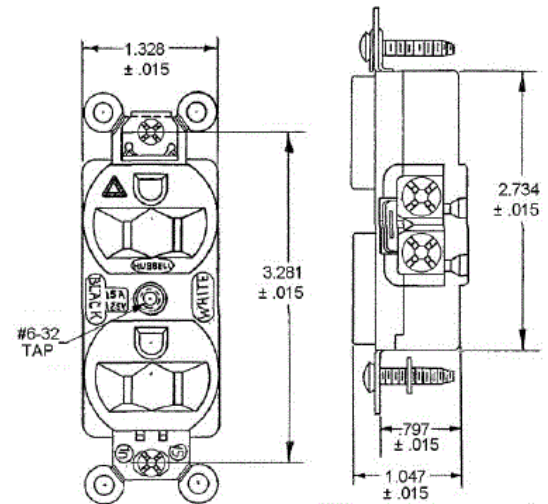
Current Interrupting	Certified for current interrupting at full rated current
Dielectric Voltage	Withstands 2,000V minimum

##### Mechanical

Product Identification	Ratings are a permanent part of the device
Terminal Accommodation	#12-#10 AWG copper stranded or solid conductor only
Terminal Identification	Terminals identified in accordance with UL 498 and CSA

##### Environmental

Flammability	UL 94 V-2
Operating Temperatures	Maximum continuous 75°C; minimum -40°C (w/o impact)



#### Online Resources

Customer Use Drawing  
eCatalog  
Installation Instructions

#### Accessories

Wallplate or Weatherproof Cover

Duplex Opening

Dimensions in Inches (mm)

Hubbell Wiring Device-Kellems • Hubbell Incorporated (Delaware) • 40 Waterview Drive • Shelton, CT 06484

Phone (800) 288-6000 • Fax (800) 255-1031 • Specifications subject to change without notice.

