

W

Technical Specifications - Classic Window Series

CLW

Flush Bonded Window "W" configuration - 4 cover screws, lift off cover



Classic Window Series

W Construction

Material	Hot compression molded fiberglass reinforced polyester (thermoset)
Gasket	Poured polyurethane seamless gasket provides watertight, dust-tight environmental seal
Recessed Screws	No protruding surfaces
Stainless Steel Hardware	300 Series stainless used on all hardware
Mounting Bosses	Panel mounting capability for fixed rear panel
Metal inserts	All bosses utilize threaded brass inserts accepting 10-32 screws
Soft Edge Design	Rounded edges, minimal protrusions or exposed pocket areas for assembly of dust and debris
Bonded Window	Precision routed flush bonded Super Abrasion Resistant acrylic material for maximum visibility

W Industry Standards

UL/cUL 50	File E64358 Type 1, 3, 4X, 12
NEMA 250	Type 1, 3, 4X, 12
CSA Std C22.2	File LR069014 Type 1, 3, 4X, 12
Temperature Range	(-76° F to +274°F) (-60°C to +134°C)
Flammability Rating	UL94-5V
Window Temperature Range	(-26°F to +170°F) (-32°C to +76°C)
Window Flammability Rating	UL94-HB
Self Extinguishing	Non-halogenated, Non-flame propagating
Chemical Resistance	Full chemical resistance charts listed in appendix
NFPA No. 101 Flame Spread	Class A (1)

NOTES:

W Accessories

Back Panels

Aluminum	BP_AL	pg. 149 - 150
Fiberglass	BP_FG	pg. 149 - 150
Stainless Steel	BP_SS	pg. 149 - 150
Carbon Steel	BP_CS	pg. 149 - 150

Mounting Feet

Mounting Feet	pg. 157
----------------------	---------

Accessories

Drain & Breather Vents	pg. 144, 146
Hole Plugs	pg. 145
Assorted Hubs and Cord Grips	pg. 145, 148
All Other Accessories	pg. 144 - 159

W Modifications

Custom Colors	pg. 12 - 13
Silk Screening	pg. 12 - 13
EMI/RFI Shielding	pg. 12 - 13
Custom Window	pg. 12 - 13
Custom Cutouts/Holes	pg. 12 - 13

HW

Technical Specifications - Classic Window Series

CLW

Flush Bonded Window "HW" configuration - Hinged, 2 cover screws



NOTES:

HW Construction

Material	Hot compression molded fiberglass reinforced polyester (thermoset)
Gasket	Poured polyurethane seamless gasket provides watertight, dust-tight environmental seal
Recessed Screws	No protruding surfaces
Stainless Steel Hardware	300 Series stainless used on all hardware
Mounting Bosses	Panel mounting capability for fixed rear panel
Metal inserts	All bosses utilize threaded brass inserts accepting 10-32 screws
Soft Edge Design	Rounded edges, minimal protrusions or exposed pocket areas for assembly of dust and debris
Bonded Window	Precision routed flush bonded Super Abrasion Resistant acrylic material for maximum visibility

HW Industry Standards

UL/cUL 50	File E64358 Type 1, 3, 4X, 12
NEMA 250	Type 1, 3, 4X, 12
CSA Std C22.2	File LR069014 Type 1, 3, 4X, 12
Temperature Range	(-76° F to +274°F) (-60°C to +134°C)
Flammability Rating	UL94-5V
Window Temperature Range	(-26°F to +170°F) (-32°C to +76°C)
Window Flammability Rating	UL94-HB
Self Extinguishing	Non-halogenated, Non-flame propagating
Chemical Resistance	Full chemical resistance charts listed in appendix
NFPA No. 101 Flame Spread	Class A (1)

HW Accessories

Back Panels

Aluminum	BP_AL	pg. 149 - 150
Fiberglass	BP_FG	pg. 149 - 150
Stainless Steel	BP_SS	pg. 149 - 150
Carbon Steel	BP_CS	pg. 149 - 150

Mounting Feet

Mounting Feet	pg. 157
----------------------	---------

Accessories

Drain & Breather Vents	pg. 144, 146
Hole Plugs	pg. 145
Assorted Hubs and Cord Grips	pg. 145, 148
All Other Accessories	pg. 144 - 159

HW Modifications

Custom Colors	pg. 12 - 13
Silk Screening	pg. 12 - 13
EMI/RFI Shielding	pg. 12 - 13
Custom Window	pg. 12 - 13
Custom Cutouts/Holes	pg. 12 - 13

Technical Specifications - Classic Window Series

Flush Bonded Window "HLL" configuration - Hinged, twist latch



HLL Construction

Material	Hot compression molded fiberglass reinforced polyester (thermoset)
Gasket	Poured polyurethane seamless gasket provides watertight, dust-tight environmental seal
Recessed Screws	No protruding surfaces
Stainless Steel Hardware	300 Series stainless used on all hardware
Mounting Bosses	Panel mounting capability for fixed rear panel
Metal inserts	All bosses utilize threaded brass inserts accepting 10-32 screws
Soft Edge Design	Rounded edges, minimal protrusions or exposed pocket areas for assembly of dust and debris
Bonded Window	Precision routed flush bonded Super Abrasion Resistant acrylic material for maximum visibility

HLL Industry Standards

UL/cUL 50	File E64358 Type 1, 3, 4X, 12
NEMA 250	Type 1, 3, 4X, 12
CSA Std C22.2	File LR069014 Type 1, 3, 4X, 12
Temperature Range	(-76° F to +274°F) (-60°C to +134°C)
Flammability Rating	UL94-5V
Window Temperature Range	(-26°F to +170°F) (-32°C to +76°C)
Window Flammability Rating	UL94-HB
Self Extinguishing	Non-halogenated, Non-flame propagating
Chemical Resistance	Full chemical resistance charts listed in appendix
NFPA No. 101 Flame Spread	Class A (1)

NOTES:

HLL Accessories

Back Panels

Aluminum	BP_AL	pg. 149 - 150
Fiberglass	BP_FG	pg. 149 - 150
Stainless Steel	BP_SS	pg. 149 - 150
Carbon Steel	BP_CS	pg. 149 - 150

Mounting Feet

Mounting Feet	pg. 157
----------------------	---------

Accessories

Drain & Breather Vents	pg. 144, 146
Hole Plugs	pg. 145
Assorted Hubs and Cord Grips	pg. 145, 148
All Other Accessories	pg. 144 - 159

HLL Modifications

Custom Colors	pg. 12 - 13
Silk Screening	pg. 12 - 13
EMI/RFI Shielding	pg. 12 - 13
Custom Window	pg. 12 - 13
Custom Cutouts/Holes	pg. 12 - 13

HPL

Technical Specifications - Classic Window Series

CLW

"HPL" configuration - Hinged, padlock latch



NOTES:

HPL Construction

Material	Hot compression molded fiberglass reinforced polyester (thermoset)
Gasket	Poured polyurethane seamless gasket provides watertight, dust-tight environmental seal
Recessed Screws	No protruding surfaces
Stainless Steel Hardware	300 Series stainless used on all hardware
Mounting Bosses	Panel mounting capability for fixed rear panel
Metal inserts	All bosses utilize threaded brass inserts accepting 10-32 screws
Soft Edge Design	Rounded edges, minimal protrusions or exposed pocket areas for assembly of dust and debris
Bonded Window	Precision routed flush bonded Super Abrasion Resistant acrylic material for maximum visibility

HPL Industry Standards

UL/cUL 50	File E64358 Type 1, 3, 4X, 12
NEMA 250	Type 1, 3, 4X, 12
CSA Std C22.2	File LR069014 Type 1, 3, 4X, 12
Temperature Range	(-76° F to +274°F) (-60°C to +134°C)
Flammability Rating	UL94-5V
Window Temperature Range	(-26°F to +170°F) (-32°C to +76°C)
Window Flammability Rating	UL94-HB
Self Extinguishing	Non-halogenated, Non-flame propagating
Chemical Resistance	Full chemical resistance charts listed in appendix
NFPA No. 101 Flame Spread	Class A (1)

HPL Accessories

Back Panels

Aluminum	BP_AL	pg. 149 - 150
Fiberglass	BP_FG	pg. 149 - 150
Stainless Steel	BP_SS	pg. 149 - 150
Carbon Steel	BP_CS	pg. 149 - 150

Mounting Feet

Mounting Feet	pg. 157
----------------------	---------

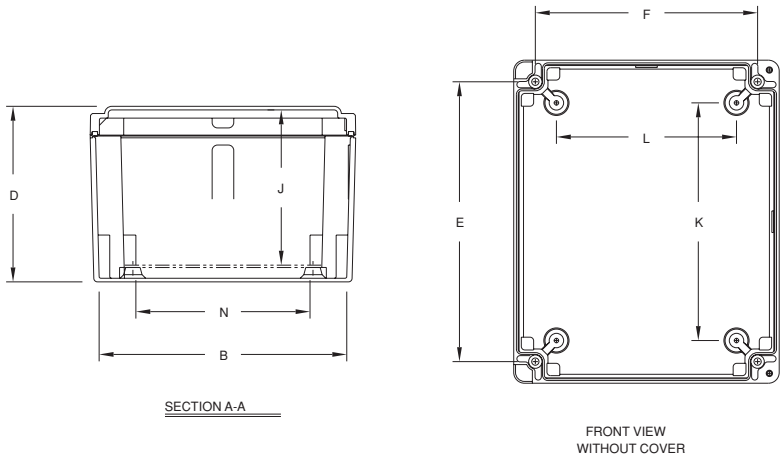
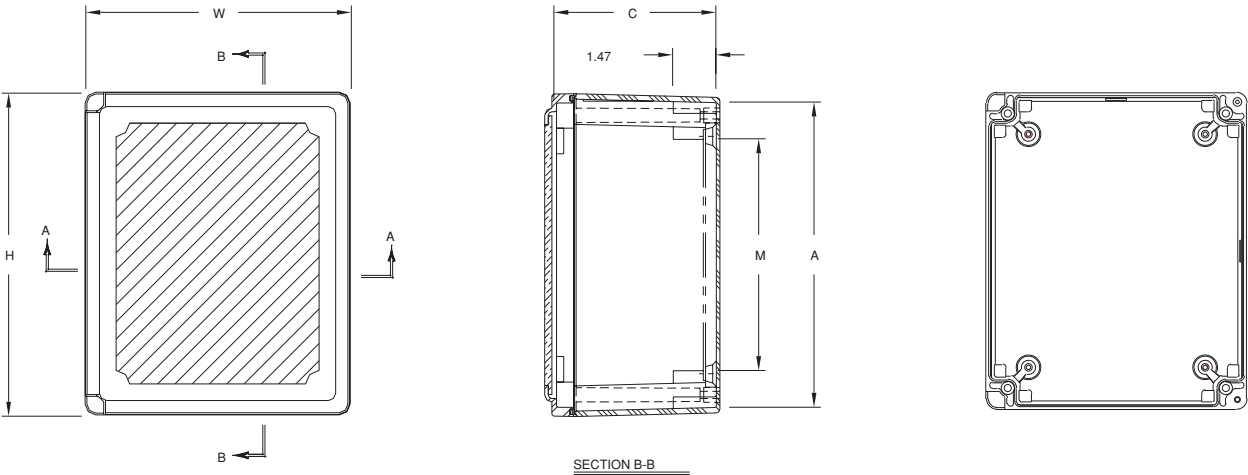
Accessories

Drain & Breather Vents	pg. 144, 146
Hole Plugs	pg. 145
Assorted Hubs and Cord Grips	pg. 145, 148
All Other Accessories	pg. 144 - 159

HPL Modifications

Custom Colors	pg. 12 - 13
Silk Screening	pg. 12 - 13
EMI/RFI Shielding	pg. 12 - 13
Custom Window	pg. 12 - 13
Custom Cutouts/Holes	pg. 12 - 13

Classic Window Series Technical Drawings



Classic Window Series Flush Bonded Window Enclosures

Classic Window Series Flush Bonded Window Enclosures

SIZE ID NUMBER	OVERALL H X W X D	INSIDE A X B X C	WINDOW AREA [MAXIMUM]	MOUNTING E X F	J	K	L	M	N	SHIPPING WEIGHT	PANEL NUMBER
CLW707HW CLW707HPL	7.21 x 7.21 x 5.09 (183 x 183 x 129)	6.65 x 6.65 x 4.84 (169 x 169 x 123)	5.06 x 5.06 (129 x 129)	5.71 x 5.71 (145 x 145)	4.39 (111)	4.25 (108)	4.25 (108)	4.04 (103)	4.04 (103)	4 lbs.	BP66*
CLW907HW CLW907HPL	9.21 x 7.21 x 5.09 (234 x 183 x 129)	8.59 x 6.59 x 4.84 (218 x 167 x 123)	7.06 x 5.06 (179 x 129)	7.71 x 5.71 (196 x 145)	4.39 (111)	6.25 (159)	4.25 (108)	6.04 (154)	4.04 (103)	4.3 lbs.	BP86*
CLW1109HW CLW1109HPL	11.21 x 9.21 x 6.09 (285 x 234 x 155)	10.59 x 8.59 x 5.84 (269 x 218 x 148)	9.06 x 7.06 (230 x 179)	9.71 x 7.71 (247 x 196)	5.39 (137)	8.25 (210)	6.25 (159)	8.04 (204)	6.04 (154)	6 lbs.	BP108*
CLW1311W CLW1311HW CLW1311HLL CLW1311HPL	13.21 x 11.21 x 6.59 (336 x 285 x 167)	12.59 x 10.59 x 6.34 (320 x 269 x 161)	11.06 x 9.06 (281 x 230)	11.71 x 9.71 (298 x 247)	5.89 (150)	10.25 (260)	8.25 (210)	10.04 (255)	8.04 (204)	7.8 lbs.	BP1210*
CLW1513HW CLW1513HLL CLW1513HPL	15.21 x 13.21 x 7.09 (386 x 336 x 180)	14.55 x 12.55 x 6.84 (370 x 319 x 174)	13.06 x 11.06 (332 x 281)	13.71 x 11.71 (348 x 298)	6.39 (162)	12.25 (311)	10.25 (260)	12.04 (306)	10.04 (255)	11.6 lbs.	BP1412*

Note: Hinge Short Side available; consult factory for details.
 All measures are in inches, items in parentheses are in millimeters.
 *Panel ordered separately.

W

Technical Specifications - Classic Window Series

CLW

Flush Bonded Window "W" configuration - 4 cover screws, lift off cover



Classic Window Series

W Construction

Material	Hot compression molded fiberglass reinforced polyester (thermoset)
Gasket	Poured polyurethane seamless gasket provides watertight, dust-tight environmental seal
Recessed Screws	No protruding surfaces
Stainless Steel Hardware	300 Series stainless used on all hardware
Mounting Bosses	Panel mounting capability for fixed rear panel
Metal inserts	All bosses utilize threaded brass inserts accepting 10-32 screws
Soft Edge Design	Rounded edges, minimal protrusions or exposed pocket areas for assembly of dust and debris
Bonded Window	Precision routed flush bonded Super Abrasion Resistant acrylic material for maximum visibility

W Industry Standards

UL/cUL 50	File E64358 Type 1, 3, 4X, 12
NEMA 250	Type 1, 3, 4X, 12
CSA Std C22.2	File LR069014 Type 1, 3, 4X, 12
Temperature Range	(-76° F to +274°F) (-60°C to +134°C)
Flammability Rating	UL94-5V
Window Temperature Range	(-26°F to +170°F) (-32°C to +76°C)
Window Flammability Rating	UL94-HB
Self Extinguishing	Non-halogenated, Non-flame propagating
Chemical Resistance	Full chemical resistance charts listed in appendix
NFPA No. 101 Flame Spread	Class A (1)

NOTES:

W Accessories

Back Panels

Aluminum	BP_AL	pg. 149 - 150
Fiberglass	BP_FG	pg. 149 - 150
Stainless Steel	BP_SS	pg. 149 - 150
Carbon Steel	BP_CS	pg. 149 - 150

Mounting Feet

Mounting Feet	pg. 157
----------------------	---------

Accessories

Drain & Breather Vents	pg. 144, 146
Hole Plugs	pg. 145
Assorted Hubs and Cord Grips	pg. 145, 148
All Other Accessories	pg. 144 - 159

W Modifications

Custom Colors	pg. 12 - 13
Silk Screening	pg. 12 - 13
EMI/RFI Shielding	pg. 12 - 13
Custom Window	pg. 12 - 13
Custom Cutouts/Holes	pg. 12 - 13

HW

Technical Specifications - Classic Window Series

CLW

Flush Bonded Window "HW" configuration - Hinged, 2 cover screws



NOTES:

HW Construction

Material	Hot compression molded fiberglass reinforced polyester (thermoset)
Gasket	Poured polyurethane seamless gasket provides watertight, dust-tight environmental seal
Recessed Screws	No protruding surfaces
Stainless Steel Hardware	300 Series stainless used on all hardware
Mounting Bosses	Panel mounting capability for fixed rear panel
Metal inserts	All bosses utilize threaded brass inserts accepting 10-32 screws
Soft Edge Design	Rounded edges, minimal protrusions or exposed pocket areas for assembly of dust and debris
Bonded Window	Precision routed flush bonded Super Abrasion Resistant acrylic material for maximum visibility

HW Industry Standards

UL/cUL 50	File E64358 Type 1, 3, 4X, 12
NEMA 250	Type 1, 3, 4X, 12
CSA Std C22.2	File LR069014 Type 1, 3, 4X, 12
Temperature Range	(-76° F to +274°F) (-60°C to +134°C)
Flammability Rating	UL94-5V
Window Temperature Range	(-26°F to +170°F) (-32°C to +76°C)
Window Flammability Rating	UL94-HB
Self Extinguishing	Non-halogenated, Non-flame propagating
Chemical Resistance	Full chemical resistance charts listed in appendix
NFPA No. 101 Flame Spread	Class A (1)

HW Accessories

Back Panels

Aluminum	BP_AL	pg. 149 - 150
Fiberglass	BP_FG	pg. 149 - 150
Stainless Steel	BP_SS	pg. 149 - 150
Carbon Steel	BP_CS	pg. 149 - 150

Mounting Feet

Mounting Feet	pg. 157
----------------------	---------

Accessories

Drain & Breather Vents	pg. 144, 146
Hole Plugs	pg. 145
Assorted Hubs and Cord Grips	pg. 145, 148
All Other Accessories	pg. 144 - 159

HW Modifications

Custom Colors	pg. 12 - 13
Silk Screening	pg. 12 - 13
EMI/RFI Shielding	pg. 12 - 13
Custom Window	pg. 12 - 13
Custom Cutouts/Holes	pg. 12 - 13

Technical Specifications - Classic Window Series

Flush Bonded Window "HLL" configuration - Hinged, twist latch



HLL Construction

Material	Hot compression molded fiberglass reinforced polyester (thermoset)
Gasket	Poured polyurethane seamless gasket provides watertight, dust-tight environmental seal
Recessed Screws	No protruding surfaces
Stainless Steel Hardware	300 Series stainless used on all hardware
Mounting Bosses	Panel mounting capability for fixed rear panel
Metal inserts	All bosses utilize threaded brass inserts accepting 10-32 screws
Soft Edge Design	Rounded edges, minimal protrusions or exposed pocket areas for assembly of dust and debris
Bonded Window	Precision routed flush bonded Super Abrasion Resistant acrylic material for maximum visibility

HLL Industry Standards

UL/cUL 50	File E64358 Type 1, 3, 4X, 12
NEMA 250	Type 1, 3, 4X, 12
CSA Std C22.2	File LR069014 Type 1, 3, 4X, 12
Temperature Range	(-76° F to +274°F) (-60°C to +134°C)
Flammability Rating	UL94-5V
Window Temperature Range	(-26°F to +170°F) (-32°C to +76°C)
Window Flammability Rating	UL94-HB
Self Extinguishing	Non-halogenated, Non-flame propagating
Chemical Resistance	Full chemical resistance charts listed in appendix
NFPA No. 101 Flame Spread	Class A (1)

NOTES:

HLL Accessories

Back Panels

Aluminum	BP_AL	pg. 149 - 150
Fiberglass	BP_FG	pg. 149 - 150
Stainless Steel	BP_SS	pg. 149 - 150
Carbon Steel	BP_CS	pg. 149 - 150

Mounting Feet

Mounting Feet	pg. 157
----------------------	---------

Accessories

Drain & Breather Vents	pg. 144, 146
Hole Plugs	pg. 145
Assorted Hubs and Cord Grips	pg. 145, 148
All Other Accessories	pg. 144 - 159

HLL Modifications

Custom Colors	pg. 12 - 13
Silk Screening	pg. 12 - 13
EMI/RFI Shielding	pg. 12 - 13
Custom Window	pg. 12 - 13
Custom Cutouts/Holes	pg. 12 - 13

HPL

Technical Specifications - Classic Window Series

CLW

"HPL" configuration - Hinged, padlock latch



NOTES:

HPL Construction

Material	Hot compression molded fiberglass reinforced polyester (thermoset)
Gasket	Poured polyurethane seamless gasket provides watertight, dust-tight environmental seal
Recessed Screws	No protruding surfaces
Stainless Steel Hardware	300 Series stainless used on all hardware
Mounting Bosses	Panel mounting capability for fixed rear panel
Metal inserts	All bosses utilize threaded brass inserts accepting 10-32 screws
Soft Edge Design	Rounded edges, minimal protrusions or exposed pocket areas for assembly of dust and debris
Bonded Window	Precision routed flush bonded Super Abrasion Resistant acrylic material for maximum visibility

HPL Industry Standards

UL/cUL 50	File E64358 Type 1, 3, 4X, 12
NEMA 250	Type 1, 3, 4X, 12
CSA Std C22.2	File LR069014 Type 1, 3, 4X, 12
Temperature Range	(-76° F to +274°F) (-60°C to +134°C)
Flammability Rating	UL94-5V
Window Temperature Range	(-26°F to +170°F) (-32°C to +76°C)
Window Flammability Rating	UL94-HB
Self Extinguishing	Non-halogenated, Non-flame propagating
Chemical Resistance	Full chemical resistance charts listed in appendix
NFPA No. 101 Flame Spread	Class A (1)

HPL Accessories

Back Panels

Aluminum	BP_AL	pg. 149 - 150
Fiberglass	BP_FG	pg. 149 - 150
Stainless Steel	BP_SS	pg. 149 - 150
Carbon Steel	BP_CS	pg. 149 - 150

Mounting Feet

Mounting Feet	pg. 157
----------------------	---------

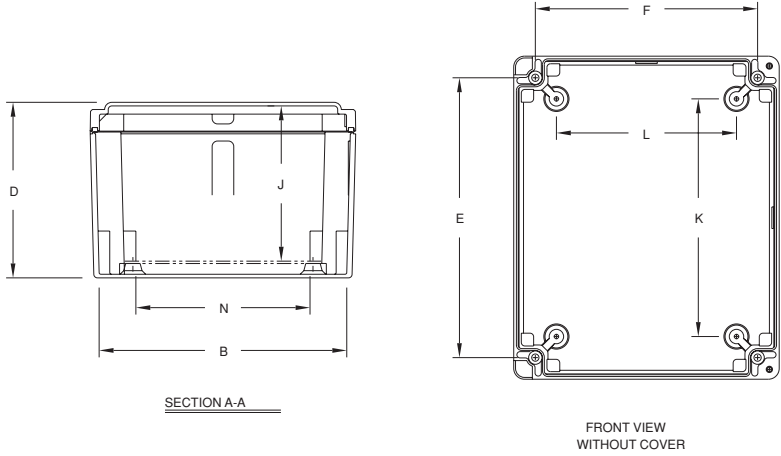
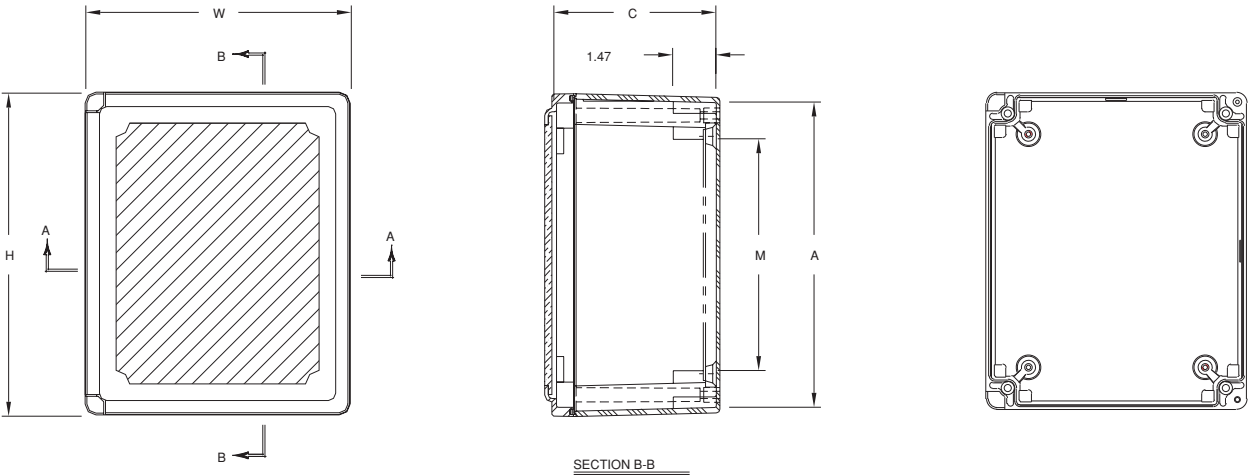
Accessories

Drain & Breather Vents	pg. 144, 146
Hole Plugs	pg. 145
Assorted Hubs and Cord Grips	pg. 145, 148
All Other Accessories	pg. 144 - 159

HPL Modifications

Custom Colors	pg. 12 - 13
Silk Screening	pg. 12 - 13
EMI/RFI Shielding	pg. 12 - 13
Custom Window	pg. 12 - 13
Custom Cutouts/Holes	pg. 12 - 13

Classic Window Series Technical Drawings



Classic Window Series Flush Bonded Window Enclosures

Classic Window Series Flush Bonded Window Enclosures

SIZE ID NUMBER	OVERALL H X W X D	INSIDE A X B X C	WINDOW AREA [MAXIMUM]	MOUNTING E X F	J	K	L	M	N	SHIPPING WEIGHT	PANEL NUMBER
CLW707HW CLW707HPL	7.21 x 7.21 x 5.09 (183 x 183 x 129)	6.65 x 6.65 x 4.84 (169 x 169 x 123)	5.06 x 5.06 (129 x 129)	5.71 x 5.71 (145 x 145)	4.39 (111)	4.25 (108)	4.25 (108)	4.04 (103)	4.04 (103)	4 lbs.	BP66*
CLW907HW CLW907HPL	9.21 x 7.21 x 5.09 (234 x 183 x 129)	8.59 x 6.59 x 4.84 (218 x 167 x 123)	7.06 x 5.06 (179 x 129)	7.71 x 5.71 (196 x 145)	4.39 (111)	6.25 (159)	4.25 (108)	6.04 (154)	4.04 (103)	4.3 lbs.	BP86*
CLW1109HW CLW1109HPL	11.21 x 9.21 x 6.09 (285 x 234 x 155)	10.59 x 8.59 x 5.84 (269 x 218 x 148)	9.06 x 7.06 (230 x 179)	9.71 x 7.71 (247 x 196)	5.39 (137)	8.25 (210)	6.25 (159)	8.04 (204)	6.04 (154)	6 lbs.	BP108*
CLW1311W CLW1311HW CLW1311HLL CLW1311HPL	13.21 x 11.21 x 6.59 (336 x 285 x 167)	12.59 x 10.59 x 6.34 (320 x 269 x 161)	11.06 x 9.06 (281 x 230)	11.71 x 9.71 (298 x 247)	5.89 (150)	10.25 (260)	8.25 (210)	10.04 (255)	8.04 (204)	7.8 lbs.	BP1210*
CLW1513HW CLW1513HLL CLW1513HPL	15.21 x 13.21 x 7.09 (386 x 336 x 180)	14.55 x 12.55 x 6.84 (370 x 319 x 174)	13.06 x 11.06 (332 x 281)	13.71 x 11.71 (348 x 298)	6.39 (162)	12.25 (311)	10.25 (260)	12.04 (306)	10.04 (255)	11.6 lbs.	BP1412*

Note: Hinge Short Side available; consult factory for details.

All measures are in inches, items in parentheses are in millimeters.

*Panel ordered separately.