



Wattstopper®

No:24053 – 05/22 rev. 3

360° Passive Infrared-Low Voltage Occupancy Sensor with Light Level, Isolated Relay and Manual On Feature (version 5)

Détecteur de mouvement basse tension à infra-rouge passif 360° (v5) avec contrôle du niveau de luminosité, relais isolé et marche en mode manuel

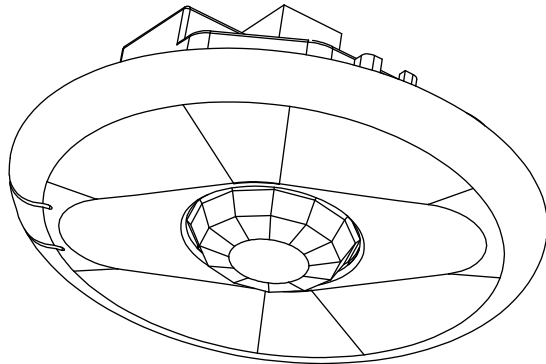
Sensor de ocupación con tecnología infrarroja pasiva de baja tensión 360° con nivel de luz, relé aislado y función de encendido manual (v5)

Installation Instructions • Instructions d'Installation • Instrucciones de Instalación

Catalog Numbers • Les Numéros de Catalogue • Números de Catálogo: CI-300, CI-300-1

Country of Origin: China or Mexico • Pays d'origine: Chine ou Mexique • País de origen: China o México

SPECIFICATIONS



Voltage	18-28VDC/VAC, half wave rectified AC
Current Consumption @24VDC/VAC.....	15 mA
Power Supply	Wattstopper Power Packs
Isolated Relay Rating	1A @30VDC/VAC
Operating Temperature	32° to 131°F (0° to 55°C)
Light Level One-Step Adjustment.....	10FC—300FC
Time Delay Adjustment	30 seconds to 30 minutes
Walk-Through Mode.....	3 minutes if no activity after 30 sec.
Test Mode.....	5 sec. upon DIP switch reset
PIR Coverage	
Model CI-300.....	up to 1200ft ²
Model CI-300-1	up to 500ft ²
Sensitivity Adjustment	High or Low (DIP switch)
UL & CUL Listed for use with Wattstopper Power Packs	

DESCRIPTION AND OPERATION

The Wattstopper CI-300 360° passive infrared (PIR) occupancy sensors turn lighting systems on and off based on occupancy and ambient light levels. The light level feature keeps lights from turning on if the ambient light level is sufficient.

The sensors can be configured to turn lighting on, and hold it on as long as the sensor detects occupancy. After no movement is detected for a user specified time (30 seconds to 30 minutes) the lights are switched off. A “walk-through” mode can turn lights off after only 3 minutes, if no activity is detected after 30 seconds of an occupancy detection.

The CI-300 operates on 24V supplied by Wattstopper Power Packs, 24VAC, or half wave rectified AC. CI-300 sensors also have an isolated relay with Normally Open and Normally Closed contacts for interfacing with HVAC or EMS.

PLACEMENT GUIDELINES

Depending upon obstacles such as furniture or partitions, the area of coverage may be less or more than the sensing distances shown in the coverage pattern. This must be considered when planning the number of sensors and their placement. It is also recommended to place the sensor 4 to 6 feet away from air supply ducts as rapid air currents or the differences in temperatures may cause false activations.

Mount the sensor to the ceiling. The CI-300 sensors are designed for a ceiling height of about 8-10 feet. Mounting above or below this range will significantly affect the coverage patterns. Be aware that as you decrease the mounting height, you decrease the range and increase the sensitivity to smaller motions. Conversely, when you increase the height, you increase the range and decrease the sensitivity to smaller motions. At heights of more than 12-14 feet, you may start to significantly reduce sensitivity. As a general rule, each occupant should be able to clearly view the sensor.

Often the best location to install a CI-300 in a closed office is off-center. Avoid placing a sensor directly in line with an open door through which it has a clear view out, as the sensor may detect people walking by.

Open Office Area Coverage

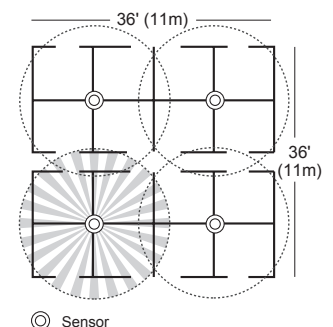
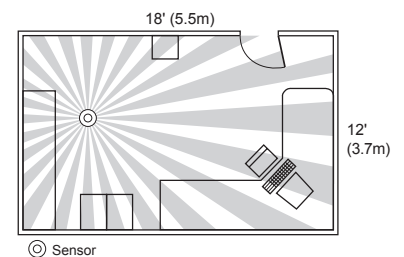
To get complete coverage in an open office area, install multiple sensors so that there is an overlap with each adjacent sensor's coverage area.

For open office areas with partitions it is best to place sensors over intersection of four workstations.

For large areas of coverage use multiple sensors.

Masking the PIR Lens

Opaque adhesive tape is supplied so that sections of the PIR lens can be masked. This restricts the sensor's view and allows you to eliminate PIR coverage in unwanted areas such as hallways outside of the desired coverage area. Since masking removes bands of coverage, remember to take this into account when troubleshooting coverage problems.



WIRING DIRECTIONS

Each Wattstopper BZ series power pack can supply power for 8 CI-300 sensors. When using more sensors than this, multiple power packs are required.

Refer to the wiring diagram for the following procedures:

Connect the **low voltage**:

- RED wire (+24VDC) from power pack to the **+24V** terminal on the sensor.
- BLACK wire (Return) from power pack to **Common** terminal on the sensor.
- BLUE wire from power pack to **Control Out** terminal on sensor.

To add a manual switch such as the LVSW-10x Momentary Toggle Switch to the above applications – connect:

- Wire from one side of switch to +24 terminal on sensor.
- Wire from other side of switch to Man Switch terminal on sensor.

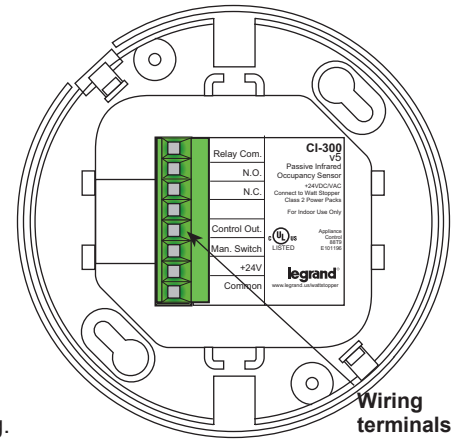
Wiring the Isolated Relay: (The Isolated Relay is rated for 1A@30VAC/VDC)

Connect the wires necessary to the application that requires this output:

- Relay Common (must be used for proper operation).
- N.O. (Normally Open)–Closed when occupancy is detected.
- N.C. (Normally Closed)–Open when occupancy is detected.

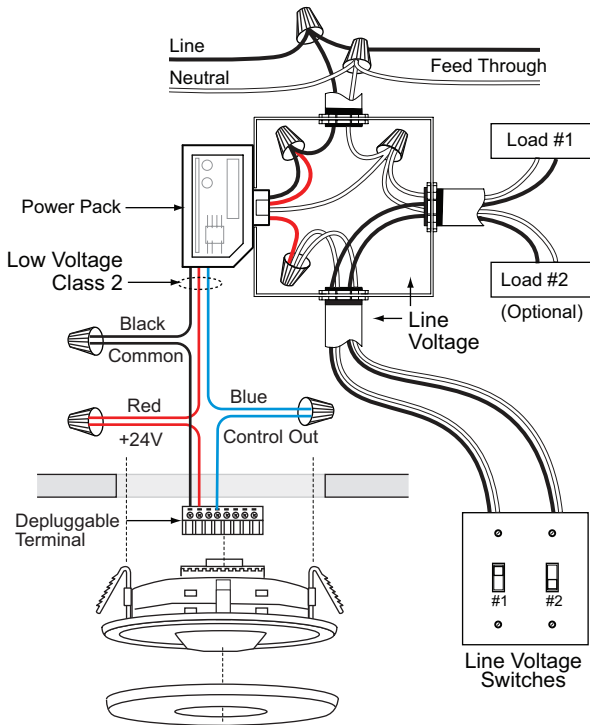
Care should be taken to separate high voltage power from low voltage (Class 2) control wiring.

All connections to sensor are low voltage, Class 2.

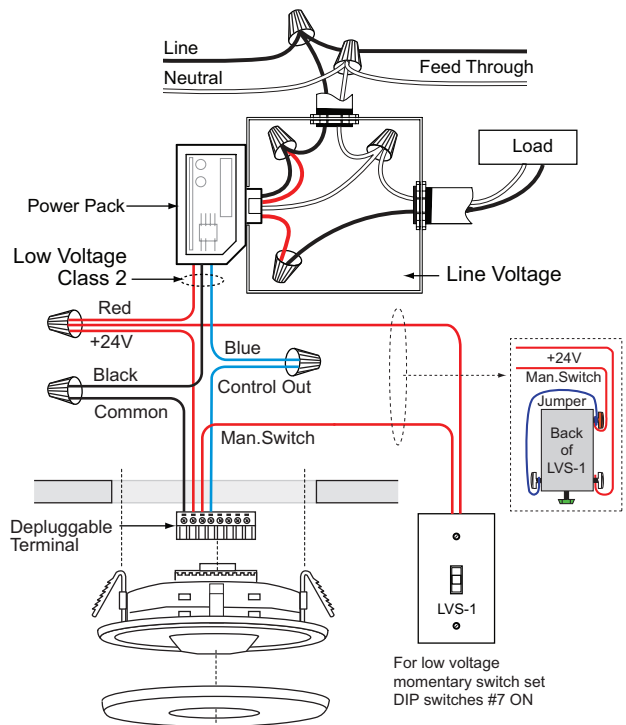


Wiring terminals

Standard wiring with local off switch



Manual-On wiring with low voltage momentary switch



Wiring with the Manual On Feature in the BZ-150 and BZ-250 Power Packs

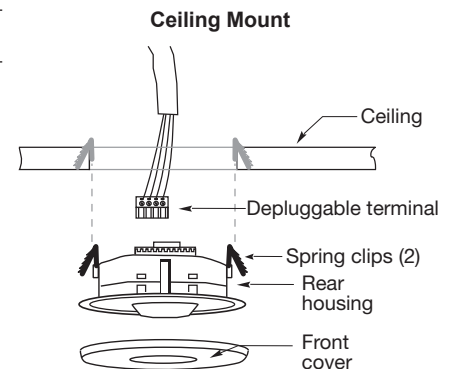
The BZ-150 and BZ-250 Power Packs have a feature that allows Manual On control from the power pack instead of from the sensor. One advantage to wiring this way is that it allows multiple sensors to be wired to a single pack and still retain Manual ON control from a switch. For wiring diagrams that utilize this feature, see the BZ-150 or BZ-250 installation instructions.

MOUNTING THE SENSOR DIRECTLY TO CEILING

Directly to Ceiling

No J-box required in non-plenum rated applications

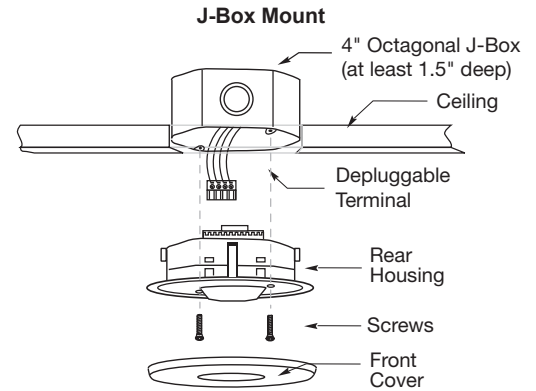
1. Attach the plastic spring clips to the edge of the sensor in the slots provided.
2. Cut a 3.5" to 4" round hole in the acoustic ceiling tile at the mounting location. A 3.5" hole is recommended for a secure fit.
3. Pull the low voltage wire from the power pack to the sensor through the hole.
4. Connect the low voltage wires to the appropriate terminals on the sensor.
5. Push the sensor up through the hole until the Spring Clips hold the sensor securely in place.
6. Snap the front cover onto the sensor.



Using an Octagonal J-Box

For applications requiring plenum rating

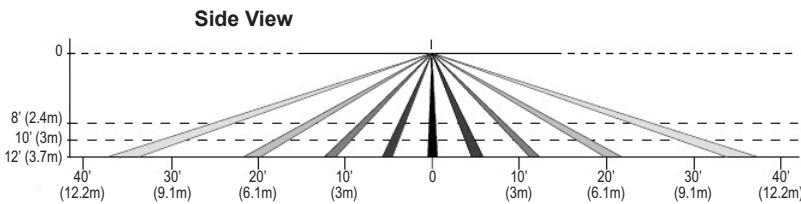
1. Pull the low voltage wires from the power pack into the J-Box through the conduit knockout.
2. Connect the low voltage wires to the appropriate terminals on the sensor.
3. Loosen the appliance mounting screws attached to the J-Box
4. Align the sensor in the J-Box so that the mounting screws on the box match the key holes on the sensor's rear housing.
5. Push the sensor up into the J-Box and twist it so that the mounting screws are seated in the keyhole slots.
6. Tighten the two screws to secure the sensor to the J-Box.
7. Snap the front cover onto the sensor.



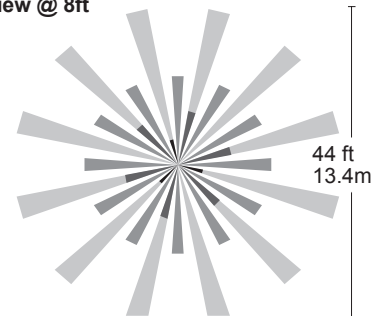
COVERAGE PATTERN

The CI-300 provides a 360° coverage pattern. Two lens patterns are available. The CI-300 provides up to 1200 square feet of coverage and the CI-300-1 provides up to 500 square feet of coverage. The coverage shown represents walking motion at a mounting height of 8 feet. For building spaces with lower levels of activity or with obstacles and barriers, coverage size may decrease.

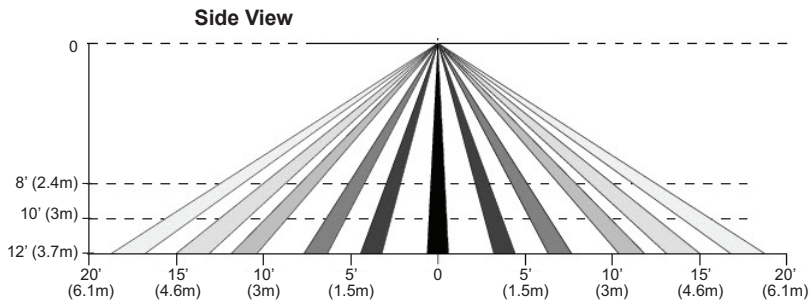
C-300 Coverage Pattern (Extended Range Lens – Standard)



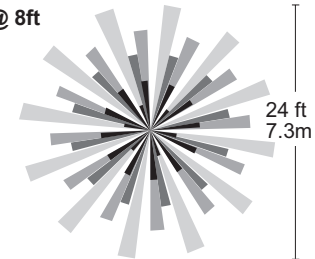
Top View @ 8ft



C-300 Coverage Pattern (High Density Reduced Range Lens)



Top View @ 8ft



SENSOR ADJUSTMENT

This unit is pre-set for basic operation as described in this guide. Adjustment is optional.

The sensors are factory preset to allow for quick installation in most applications. Verification of proper wiring or coverage, or customizing the sensor's settings can be done using the following procedures. To make adjustments, open the Front Cover by pulling on the cover tab.

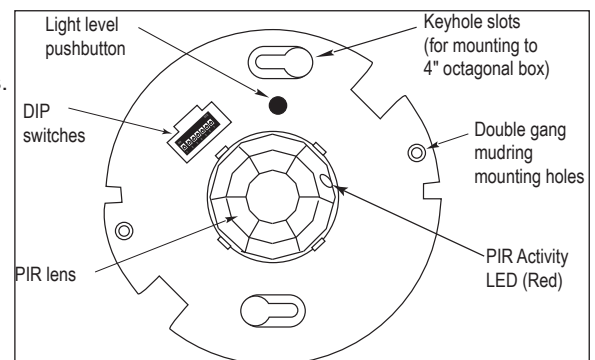
There is a 30 second warm-up period when power is first applied.

Before making adjustments, make sure the office furniture is installed, lighting circuits are turned on, and the HVAC systems are in the overridden/on position. VAV systems should be set to their highest airflow. Set the DIP switches to the desired settings. See **DIP Switch Setting**, next page.

To Test Occupancy Sensors

1. Ensure the Time Delay is set for **Test Mode*** using the "Test Mode/20 minutes" setting. (DIP switches 1, 2, & 3 are **OFF**).
2. Ensure that the Light Level is at default (maximum). See the Light Level Feature section of this document for instructions.
3. Remain still. The red LED should not flash. The lights should turn off after 5 seconds. (If not, see **Troubleshooting**.)
4. Move about the coverage area. The lights should come on.
5. When testing and adjustment are complete, reset DIP Switches and Light Level to the desired settings, and replace the cover on the sensor.

* **Test Mode** is a temporary state that starts when you first set the sensor's DIP switches for the "Test Mode/20 minutes" (switches 1, 2, 3, **OFF**). If you need to invoke the **Test Mode** and the DIP switches are already set for Test Mode/20 minutes, toggle DIP switch 1 **ON** then back to the **OFF** position. This provides a 10 minute test period. During the test period, the Time Delay is only 5 seconds.



LIGHT LEVEL FEATURE

The Light Level feature holds lights off upon initial occupancy if adequate ambient light exists. It will not turn the lights **OFF** if they are **ON**. The default setting is for maximum, meaning that even the brightest ambient light will not hold the lights **OFF**.

Notes on Functionality

- Avoid mounting the sensor close to lighting fixtures.
- Adjust during daylight hours when ambient light in the area is at desired level.
- Light Level cannot be enabled while Test Mode is active. Either wait for Test Mode to expire or select any of the other Time Delay settings before enabling the Light Level feature.
- PIR occupancy indicator LED may still respond when lights are being held **OFF**. LED will also flash periodically to indicate the sensor has Light Level enabled.
- Light Level settings are only saved in the event of a power loss. Disabling Light Level and then reenabling it will not return it to previous settings.
- If Test Mode is enabled after Light Level has been set, Light Level functionality will cease to function throughout the duration of Test Mode. When Test Mode period expires, the Light Level functionality will resume, even if the DIP Switches remain set to Test Mode.

Setting Light Level

1. Make sure Test Mode is not active.
2. Toggle the state of the sensor, by briefly pressing the Light Level button, to include or exclude the lighting load from the light level calibration. Open the Front Cover and locate the Light Level pushbutton. See Sensor Adjustment.
3. Press and hold the Light Level button for 2 or more seconds, or until the detection LED turns **ON**. Do not exceed 5 seconds.* The sensor enters setup mode, as indicated by the rapidly flashing LED. The LED will flash throughout the setup process. Occupancy indication from the LED is disabled during setup.
4. Move away from the sensor to avoid interference with light level detection. The sensor measures the light level for a 10 second period, then averages the readings and automatically sets the level that will be used as the new setting. The sensor will hold lights off when the ambient light exceeds this setting.
5. When the LED stops flashing, replace the Front Cover.

*Disabling Light Level

- Pressing the pushbutton for 5 seconds or more resets the light to default (maximum).
- Press and hold the Light Level button for 5 seconds or until the detection LED turns **ON** and then **OFF**. The LED flashes rapidly for 10 seconds after the setting has changed.

DIP SWITCH SETTING

The CI-300 has 7 DIP switches under the cover.

Time Delay: Switches 1, 2, 3

The sensor will hold the lights **ON** as long as occupancy is detected. The time delay countdown starts when no motion is detected. After no motion is detected for the length of the time delay, the sensor will turn the lights **OFF**.

Walk-Through Switch 4

Walk-through mode turns the lights **OFF** three minutes after the area is initially occupied, if no motion is detected after the first 30 seconds. If motion continues beyond the first 30 seconds, the selected time delay applies.

PIR Sensitivity: Switch 5

- Minimum forces a reduced detection range for the PIR.
- Maximum forces the sensitivity to the maximum coverage area. This setting is constantly updated.

Service: Switch 6

To override all sensor functions, set DIP switch 6 to the **ON** position. The red LED will come on and stay on for the duration of the override.

This bypasses the light level and occupancy detection control functions of the sensor, but still allows the lights to be manually controlled with a light switch, low voltage switch, or Light Level button.

On Mode: Switch 7

The Manual **ON** function is facilitated by installing a momentary switch such as a Wattstopper LVSW-10x Momentary Toggle Switch. This switch connects to the sensor's Manual (Man.) Switch and +24V terminals as shown in the wiring diagram. Each time the switch is pressed, the load changes state. The sensor's operation as related to the manually operated switch is determined by the setting for DIP Switch 7.

Manual ON: In this mode, the switch is required to turn on the load. The sensor is then used to keep the load on, based on occupant activity. After the time delay ends, if there is no movement detected within the 30 second re-trigger period the manual switch must be used to turn **ON** the load.

Automatic ON: This mode uses occupancy as well as switch activation to turn the load **ON**. A manual switch provides the following additional functionality:

1. The load can be turned **ON** by manual switch activation and it stays on as long as occupancy is detected. The sensor time delay operates as programmed. When the load turns **OFF** due to lack of occupancy detection, the load can be turned **ON** again by occupancy detection or switch activation.
2. Activating the manual switch while the load is **ON** turns the load **OFF**.
 - When the load is turned **OFF** manually, as long as the sensor continues to detect occupancy the load stays **OFF**. For the

	Switch#		
	1	2	3
Time Delay	1	2	3
Test Mode/20 min	↓	↓	↓
30 seconds	↓	↓	↑
5 minutes	↓	↑	↓
10 minutes	↓	↑	↑
15 minutes	↑	↓	↓
20 minutes	↑	↓	↑
25 minutes	↑	↑	↓
30 minutes	↑	↑	↑
Walk-Through	4		
Enabled	↑		
Disabled	↓ ◀		
PIR Sensitivity	5		
Minimum	↑		
Maximum	↓ ◀		
Service	6		
Service	↑		
Normal	↓ ◀		
On Mode	7		
Manual On	↑		
Auto On	↓ ◀		

◀ = Factory Setting
 ↑ = ON
 ↓ = OFF

- selected time delay, the lights stay off and the sensor reverts to the automatic-on mode.
- When the load is turned **OFF** manually, pressing the switch again turns the load **ON** and the sensor reverts to the automatic-on mode.
- Once the sensor returns to automatic-on mode, either the switch or occupancy detection can turn the load **ON**.

OVERLOAD PROTECTION

The occupancy sensor has a built in overload protection function that will automatically turn off the control output when the load current exceeds 200mA. The sensor LED will then blink rapidly (~ 10Hz) to provide a visual indication of an overload condition. When the load current is corrected or returns to normal, the control output will turn back on.

TROUBLESHOOTING

Lights do not turn ON with occupancy, and the following condition exists:

Red LED does not flash:

1. Check that the circuit breaker has been turned back on.
2. Check all sensor and power pack wire connections.
3. Check for 24V input to the sensor.
 - If 24V is present, replace the sensor.
 - If 24V is not present, check that high voltage is present to power pack. If it is, replace power pack.
4. Make sure that PIR Sensitivity is set to minimum (DIP switch #5 set to on).
5. If it still does not flash, call 800.879.8585 for Technical Support.

LED flashes:

1. Check all sensor and power pack wire connections.
2. Check for 24VDC at the power pack's blue wire connection to sensor while sensor is activated. If there is no voltage, replace the sensor. If there is voltage, replace the power pack.
3. If LED is flashing rapidly (~10Hz), an overload condition exists. When this is corrected, the sensor will return to normal operation. Check the blue wire connection. If necessary, replace the power pack.

Line voltage switch connected as shown in wiring example:

1. Make sure switch is set to ON position.

Lights do not turn OFF automatically:

1. The sensor technology (PIR) may be experiencing activations from outside the controlled area or from some type of interference (see "Unwanted Sensor Activations" below).
2. Check all sensor and power pack wire connections.
3. Disconnect power pack's blue wire:
 - If the lights do not turn off, replace power pack. Reconnect blue wire.
 - If the lights turn off, the problem may be in the sensor.
 - To check:
 - Reconnect the blue wire.
 - Turn sensitivity and time delay to minimum and allow the sensor to time out.
 - If the lights turn off, the sensor is working properly (see number 1, above, and "Sensor Adjustment" for readjustment of sensor).

Unwanted Sensor Activations (LED flashes):

Improper sensor location or inadequate masking causing detection outside of desired coverage area.

1. The PIR sensitivity may be set too high.
2. Sensor located too close to HVAC or VAV vents with heavy air flow.
3. Check if Light Level is enabled.
 - If occupancy indicator LED blinks every few seconds, sensor is using Light Level feature.
 - If Light Level functionality is not desired, press and hold for 5 seconds to return sensor to the default setting (maximum).

Possible solutions:

- Mask the lens to reduce PIR coverage (see **Masking the PIR Lens**, under **Placement Guidelines**).
- Change the logic configuration setting, see **DIP Switches**.
- Relocate the sensor.

ORDERING INFORMATION

Catalog Number	Description
CI-300	PIR Occupancy Sensor, low voltage, 360° lens, up to 1200 square ft., isolated relay & light level sensor.
CI-300-1	PIR Occupancy Sensor, low voltage, 360° high density/reduced range lens, up to 500 square ft., isolated relay & light level sensor.
BZ-50/BZ-150	Power Pack: 120/277VAC, 50/60Hz, 20A ballast or incandescent (BZ-150 with Hold-On and Hold-Off capability)
BZ-200/BZ-250	Power Pack: 120/277VAC, 50/60 Hz, 20A Ballast/ELV/MLV/Incandescent/LED, 16A, E-Ballast/CFL/Plug Load, (BZ-250 with Hold-On and Hold-Off capability)
BZ-250-347	Power Pack: 120/347VAC, 50/60 Hz, 16A Ballast/ELV/MLV/Incandescent/LED/ E-Ballast/CFL, 15A Plug Load, with Hold-On/Hold-Off capability

All sensors are white. BZ series power packs supply power for up to 8 CI-300 sensors.

INSTRUCTIONS EN FRANÇAIS

DESCRIPTION ET FONCTIONNEMENT

Les détecteurs de mouvement à infra-rouges passifs (IRP) Wattstopper CI-300 360° allument et éteignent les systèmes d'éclairage selon les niveaux de présence et de luminosité ambiante. La fonction de niveau de luminosité empêche les lumières de s'allumer si le niveau de luminosité ambiant est suffisant.

Les détecteurs peuvent être configurés pour allumer l'éclairage et le maintenir ainsi tant que le capteur détecte une présence. Si aucun mouvement n'est détecté pendant une durée spécifiée par l'utilisateur (30 secondes à 30 minutes), les lumières sont éteintes. Le mode « passage » permet d'éteindre les lumières au bout de 3 minutes seulement si aucun mouvement n'est détecté 30 secondes après la détection d'une présence.

Le détecteur CI-300 fonctionne sur une tension 24 V fournie par les blocs d'alimentation Wattstopper, une tension 24 V CA ou un courant alternatif redressé mono alternance. Les détecteurs CI-300 comportent également un relais isolé avec des contacts Normalement Ouvert et Normalement Fermé pour l'interaction avec les systèmes CVCA ou SGE.

CARACTÉRISTIQUES TECHNIQUES

Tension	18-28 VCC/VCA, courant alternatif redressé mono alternance
Consommation de courant à 24VCC/VCA	15 mA
Alimentation électrique	Blocs d'alimentation Wattstopper
Valeurs nominales du relais isolé	1 A à 30 VCC/VCA
Température de fonctionnement	0 ° à 55 °C (32 ° à 131 °F)
Réglage du niveau de luminosité en une étape	10 FC—300 FC
Réglage de la temporisation	30 secondes à 30 minutes
Mode passage	3 minutes si aucune activité après 30 s
Mode test	5 s après activation de l'interrupteur DIP
Couverture IRP	
Modèle CI-300	jusqu'à 1 200 pi. ²
Modèle CI-300-1	jusqu'à 500 pi. ²
Réglage de la sensibilité	Haute ou basse (interrupteur DIP)

UL & CUL listés pour une utilisation avec les blocs d'alimentation Wattstopper

INSTRUCTIONS DE PLACEMENT

En fonction des obstacles tels que des meubles ou des cloisons, la portée de l'appareil peut être réduite ou augmentée par rapport aux distances de perception illustrées dans le schéma de la portée. Cela doit être pris en compte dans le choix du nombre de détecteurs et de leur placement. Il est également recommandé de placer le détecteur à 1,2 ou 1,8 m (4 ou 6 pi.) des conduits d'aération car les courants d'air rapides ou les différences de températures peuvent déclencher de fausses activations.

Montez le détecteur sur le plafond. Les détecteurs CI-300 sont conçus pour une hauteur de plafond allant de 2,4 à 3,05 m (de 8 à 10 pi.). Placez-les à une hauteur supérieure ou inférieure à celle recommandée affectera de manière significative la portée de l'appareil. N'oubliez pas qu'en abaissant la hauteur de montage, vous diminuez la portée et augmentez la sensibilité aux petits mouvements. À l'inverse, lorsque vous augmentez la hauteur, vous augmentez la portée et diminuez la sensibilité aux petits mouvements. À des hauteurs supérieures à 3,7-4,3 m (12-14 pi.), vous commencez à réduire la sensibilité de manière significative. En règle générale, chaque occupant doit être capable de voir clairement le détecteur.

Souvent, l'emplacement idéal d'un CI-300 dans un bureau fermé est excentré. Évitez de placer un détecteur dans l'alignement direct d'une porte ouverte qui lui permettrait d'avoir une vision claire de l'extérieur, car le capteur pourrait détecter le mouvement des personnes qui passent.

Portée en espace ouvert

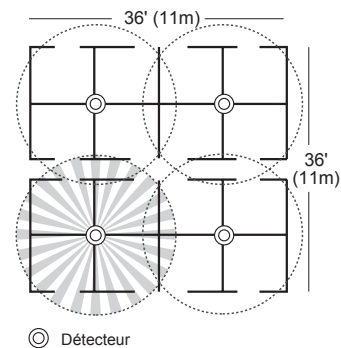
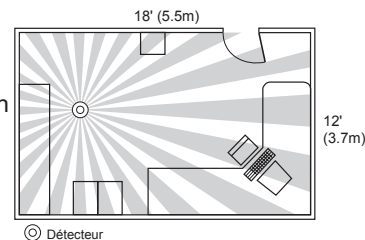
Pour obtenir une portée de détection complète dans une zone de bureau ouverte, installez plusieurs détecteurs de manière à obtenir un chevauchement entre les zones de portée de chaque détecteur adjacent.

Pour les zones de bureaux ouvertes avec des cloisons, il est préférable de placer les détecteurs au-dessus des intersections entre quatre postes de travail.

Pour les grandes zones de portée, utilisez plusieurs détecteurs.

Obstruction de la lentille IRP

Du ruban adhésif opaque est fourni de manière à pouvoir masquer des parties de la lentille IRP. Cela limite le champ de vision du détecteur et permet d'empêcher la portée de l'IRP dans les zones non désirées, telles que des couloirs hors de la zone de portée souhaitée. Étant donné que cette obstruction diminue la portée, n'oubliez pas d'en tenir compte en cas de dépannage des problèmes de portée.



INSTRUCTIONS DE CÂBLAGE

Chaque bloc d'alimentation de la série BZ de Wattstopper peut alimenter jusqu'à 8 détecteurs CI-300. Lorsque vous utilisez plus de 8 détecteurs, plusieurs blocs d'alimentation seront nécessaires.

Reportez-vous au schéma de câblage pour les procédures suivantes :

Raccordez la **basse tension** :

- Fil ROUGE (+ 24 VCC) du bloc d'alimentation à la borne **+ 24 V** du détecteur.
- Fil NOIR (retour) du bloc d'alimentation à la borne **Commune** du détecteur.
- Fil BLEU du bloc d'alimentation à la borne **Sortie régulation** du détecteur.

Pour ajouter un interrupteur manuel comme l'interrupteur pour réglage instantané LVSW-10x aux applications ci-dessus, raccordez :

- le fil d'un côté de l'interrupteur à la borne + 24 V du détecteur.
- le fil de l'autre côté de l'interrupteur à la borne Interrupteur man. du détecteur.

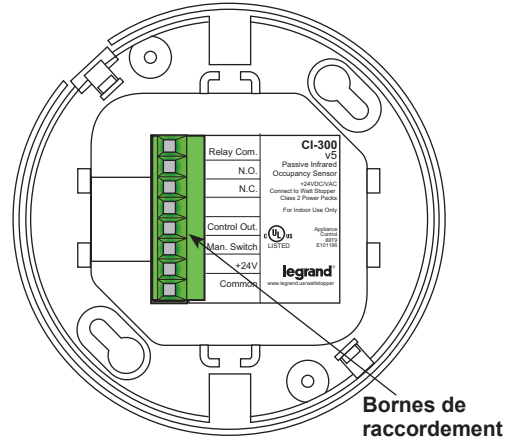
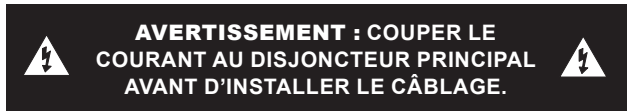
Câblage du relais isolé : (le relais isolé est prévu pour un courant de 1 A à 30 V CA/V CC) :

Raccordez les fils nécessaires à l'application qui nécessite cette sortie :

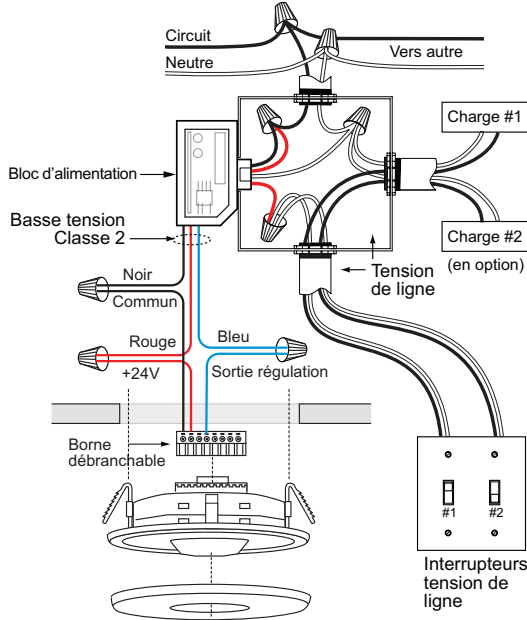
- Relais commun (doit être utilisé pour un fonctionnement correct)
- N.O. (Normalement Ouvert)—Fermé lorsqu'une présence est détectée
- N.C. (Normalement Fermé)—Ouvert lorsqu'une présence est détectée

Vous devez faire attention à séparer les fils haute tension du secteur des fils de régulation basse tension (classe 2).

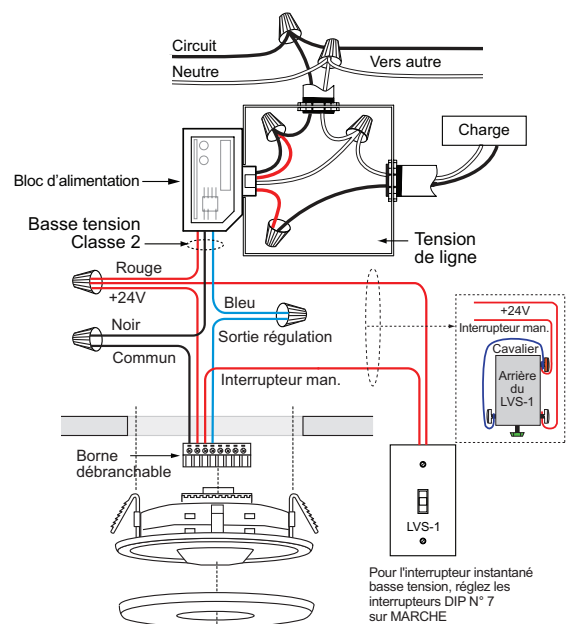
Tous les raccordements au capteur sont basse tension, classe 2.



Câblage standard avec interrupteur d'arrêt local



Câblage de la marche manuelle avec un interrupteur instantané basse tension



Câblage avec la fonction d'activation manuelle des blocs d'alimentation BZ-150 et BZ-250

Les blocs d'alimentation BZ-150 et BZ-250 ont une fonction qui permet le contrôle manuel de la mise en marche à partir du bloc d'alimentation au lieu du détecteur. L'un des avantages du câblage de cette manière est qu'il permet de connecter plusieurs détecteurs à un seul pack tout en conservant le contrôle manuel ON à partir d'un interrupteur. Pour les schémas de câblage qui utilisent cette fonction, consultez les instructions d'installation du BZ-150 ou du BZ-250.

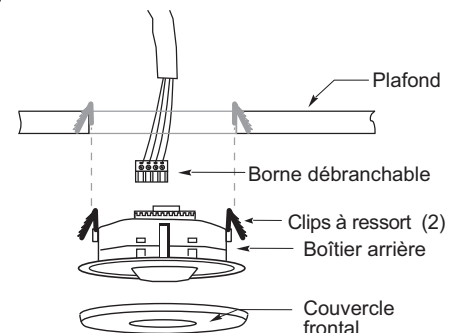
MONTAGE DU DÉTECTEUR

Directement sur le plafond

Vis Pour les applications exigeant le respect des normes

1. Fixez les clips à ressort en plastique sur les bords du détecteur dans les fentes prévues à cet effet.
2. Découpez un orifice rond de 8,9 à 10,2 cm (3,5 à 4 po.) dans la dalle du plafond acoustique au niveau de l'emplacement de montage. Un orifice de 8,9 cm (3,5 po.) est recommandé pour un bon maintien.
3. Faites passer les fils basse tension provenant du bloc d'alimentation vers le détecteur à travers l'orifice.
4. Branchez les fils basse tension aux bornes correspondantes du détecteur.
5. Soulevez le détecteur à travers l'orifice jusqu'à ce que les clips à ressort maintiennent le détecteur fermement en place.
6. Clipsez le couvercle frontal sur le détecteur.

Montage au plafond

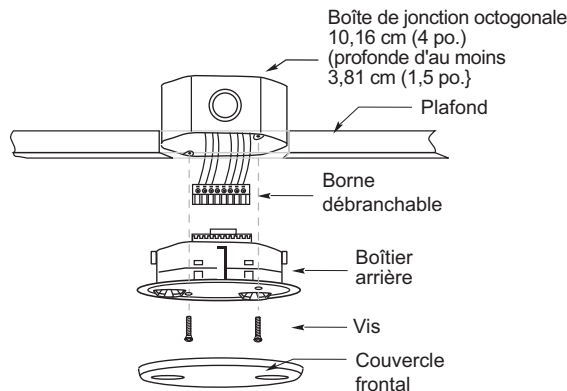


En utilisant une boîte de jonction octogonale

Aucun boîtier nécessaire pour les applications non soumises à la norme plénum

1. Faites passer les fils basse tension provenant du bloc d'alimentation dans le boîtier de raccordement à travers l'alvéole sectionnable du conduit.
2. Branchez les fils basse tension aux bornes correspondantes du détecteur.
3. Desserrez les vis de fixation du dispositif fixées sur le boîtier de raccordement
4. Alignez le détecteur dans le boîtier de raccordement de sorte que les vis de fixation du boîtier correspondent aux fentes en trou de serrure du boîtier arrière du détecteur.
5. Poussez le détecteur dans le boîtier de raccordement et tournez-le de sorte que les vis de fixation se bloquent dans les fentes en trou de serrure.
6. Serrez les deux vis pour fixer le détecteur au boîtier de raccordement.
7. Clipsez le couvercle frontal sur le détecteur.

Montage avec une boîte de jonction

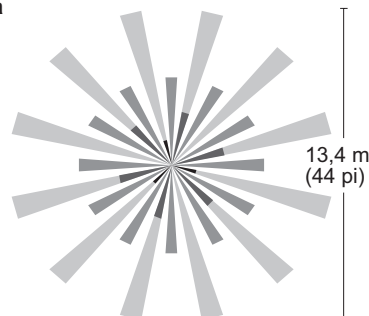
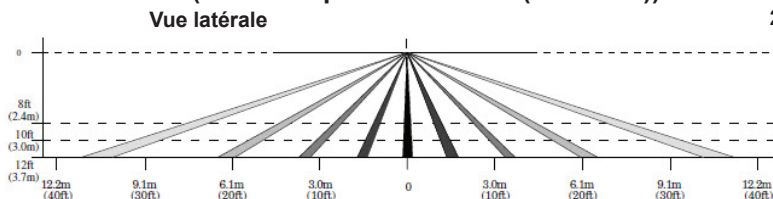


PORTÉE

Le CI-300 offre une portée à 360°. Deux modèles de mouvements de lentilles sont disponibles. Le CI-300 offre une portée jusqu'à 111 m² (1 200 pi²) et le CI-300-1 une portée jusqu'à 46 m² (500 pi²). La portée indiquée dans le schéma représente un mouvement de marche à une hauteur de 2,40 mètres (8 pieds). Pour les bâtiments avec une activité plus faible ou avec des obstacles et barrières, la zone de portée risque de diminuer. **Les schémas ci-dessous ne sont pas à l'échelle.**

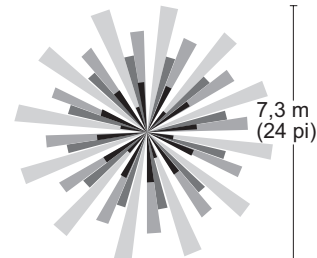
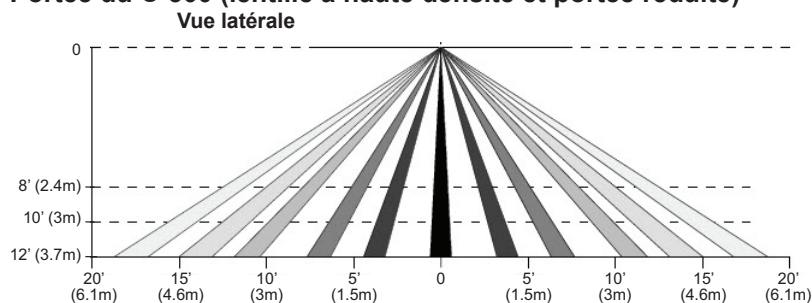
Portée du C-300 (Lentille à portée étendue (standard))

Vue de dessus à 2,40 m (8 pi.)



Portée du C-300 (lentille à haute densité et portée réduite)

Vue de dessus à 2,40 m (8 pi.)



RÉGLAGE DU DÉTECTEUR

L'unité est préréglée pour un fonctionnement de base, comme décrit dans ce guide. **LE RÉGLAGE EST OPTIONNEL.**

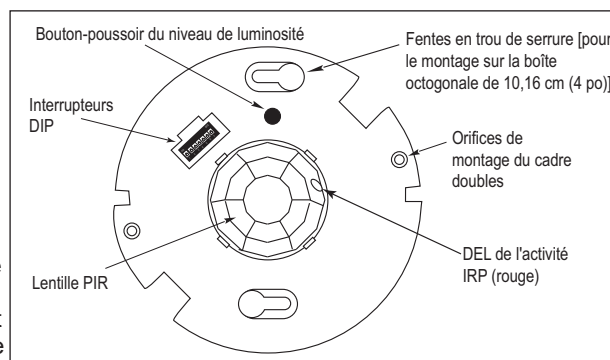
Les détecteurs sont préréglés en usine afin de vous permettre de l'installer rapidement dans la plupart des applications. Pour vérifier que le câblage ou la portée sont corrects, ou pour personnaliser les réglages du détecteur, suivez les procédures suivantes. Pour effectuer les réglages, ouvrez le couvercle frontal en tirant sur les pattes du couvercle.

Lorsque l'unité est mise sous tension pour la première fois, elle passe tout d'abord par une période de réchauffement de 30 secondes.

Avant d'effectuer des réglages, assurez-vous que les meubles de la zone de travail sont installés, que les circuits d'éclairage sont allumés et que les systèmes CVCA sont en position neutralisé/marche. Les systèmes DAV doivent être réglés sur le débit d'air le plus important. Réglez les interrupteurs DIP sur le réglage souhaité. Consultez « Régler les interrupteurs DIP », page suivante.

Pour tester les détecteurs de mouvement

1. Assurez-vous que la temporisation est réglée sur le **Mode test*** en utilisant le réglage « Mode test/20 minutes » (Interrupteurs DIP 1, 2 et 3 sur **ARRÊT**).
2. Assurez-vous que le niveau de luminosité est sur son réglage par défaut (maximum). Consultez la section Fonction du niveau de luminosité de ce document pour les instructions.
3. Restez immobile. La DEL rouge ne doit pas clignoter. Les lumières doivent normalement s'éteindre au bout de 5 secondes. (Dans le cas contraire, voir « Dépannage ».)
4. Déplacez-vous dans la zone de portée. Les lumières doivent s'allumer.



5. Lorsque le test et le réglage sont terminés, paramétrez de nouveau les interrupteurs DIP et le niveau de luminosité avec les réglages souhaités et remettez le couvercle sur le détecteur.

* **Le Mode Test** est un état temporaire qui démarre lorsque vous mettez les interrupteurs DIP du détecteur sur le « Mode test/20 minutes » pour la première fois (interrupteurs 1, 2 et 3 sur **ARRÊT**). Si vous avez besoin de lancer le **Mode test** et que les interrupteurs DIP sont déjà réglés sur « Mode test/20 minutes », faites basculer l'interrupteur DIP 1 sur **MARCHE**, puis de nouveau sur **ARRÊT**. Cette action fournit une période de test de 10 minutes. Pendant cette période de test, la temporisation n'est que de 5 secondes.

RÉGLAGE DE L'INTERRUPTEUR DIP

Le CI-300 possède 7 interrupteurs DIP sous le couvercle.

Temporisation : Interrupteurs 1, 2, 3

Le détecteur maintient les lumières **ALLUMÉES** tant qu'une présence est détectée. Le compte à rebours de temporisation démarre lorsqu'aucun mouvement n'est détecté. En l'absence de mouvement pendant toute la durée de la temporisation, le détecteur **ÉTEINT** les lumières.

Mode passage Interrupteur 4

Le mode passage **COUPE** l'éclairage trois minutes après la première détection de présence, si aucun mouvement n'est détecté après les 30 premières secondes. Si le mouvement persiste au-delà des 30 premières secondes, la temporisation sélectionnée se déclenche.

SENSIBILITÉ IRP : Interrupteur 5

- Minimum impose une réduction de la portée de détection de l'IRP.
- Maximum pousse la sensibilité à sa portée maximale. Ce réglage est constamment mis à jour.

Entretien : Interrupteur 6

Pour neutraliser toutes les fonctions du capteur, réglez l'interrupteur DIP 6 sur **MARCHE**. La DEL rouge s'allumera et restera allumée pendant toute la durée de la neutralisation.

Cette action court-circuite les fonctions de commande du niveau de luminosité et de détection de présence du détecteur mais permet à l'utilisateur de continuer à commander la lumière manuellement avec un interrupteur de lampe, un interrupteur basse tension ou un bouton de réglage du niveau de luminosité.

Mode Marche : Interrupteur 7

La fonction de **MARCHE** manuelle est rendue possible par l'installation d'un interrupteur instantané LVSW-10x de Wattstopper. Cet interrupteur se connecte à l'interrupteur manuel (Man.) du détecteur et aux bornes + 24 V, comme indiqué dans le schéma de câblage. Chaque fois que vous appuyez sur l'interrupteur, la charge change d'état. Le fonctionnement du détecteur par rapport à l'interrupteur manuellement actionné est déterminé par le réglage de l'interrupteur DIP 7.

MARCHE manuelle : dans ce mode, l'interrupteur est nécessaire pour activer la charge. Le détecteur maintient ensuite la charge activée, en fonction de l'activité des occupants. Une fois la temporisation écoulée, si aucun mouvement n'est détecté pendant la période de redéclenchement de 30 secondes, l'interrupteur manuel doit être utilisé pour remettre la charge en **MARCHE**.

Automatique-MARCHE : ce mode se sert des déclenchements dus à la présence ainsi que de l'activation de l'interrupteur pour **ACTIVER** la charge. Un interrupteur manuel fournit les fonctionnalités supplémentaires suivantes :

1. La charge peut être **ACTIVÉE** à l'aide de l'interrupteur manuel et rester ainsi en fonction du réglage de la logique de présence. La temporisation du détecteur s'applique comme programmé. Lorsque la charge se **COUPE** en raison d'une absence de détection de présence, elle peut être **ACTIVÉE** de nouveau par une détection de présence ou par l'activation de l'interrupteur.
2. L'activation de l'interrupteur manuel tandis que la charge est **ACTIVÉE** a pour effet de **COUPER** la charge.
 - Lorsque la charge est **COUPÉE** manuellement, elle reste **COUPÉE** aussi longtemps que le détecteur continue de détecter une présence. Pour la temporisation sélectionnée, les lumières restent éteintes et le détecteur revient en mode marche automatique.
 - Lorsque la charge est **COUPÉE** manuellement, une nouvelle pression sur l'interrupteur **ACTIVE** la charge et le détecteur revient en mode marche automatique.
 - Une fois qu'il est revenu en mode marche automatique, soit l'interrupteur soit une détection de présence peut **ACTIVER** la charge.

	N° d'interrupteur		
Temporisation	1	2	3
Mode Test/20 min	↓	↓	↓
30 seconds	↓	↓	↑
5 minutes	↓	↑	↓
10 minutes	↓	↑	↑
15 minutes	↑	↓	↓
20 minutes	↑	↓	↑
25 minutes	↑	↑	↓
30 minutes	↑	↑	↑
Révision structurée	4		
Activé	↑		
Désactivé	↓		
Sensibilité IRP	5		
Minimum	↑		
Maximum	↓		
Service	6		
Service	↑		
Normal	↓		
Mode Marche	7		
Marche en mode manuel	↑		
Marche en mode automatique	↓		

- ◀ = Paramètres d'usine
- ↑ = MARCHE
- ↓ = ARRÊT

FONCTION DU NIVEAU DE LUMINOSITÉ

La fonction du niveau de luminosité laisse les lumières éteintes si un éclairage ambiant suffisant existe au moment de la présence initiale. Elle **n'éteindra pas** les lumières si elles sont **allumées**. Le réglage par défaut est au maximum, ce qui signifie que même en cas d'environnement extrêmement lumineux, les lumières **s'allumeront**.

Remarques sur le fonctionnement

- Évitez d'installer le détecteur près des luminaires.
- Effectuez le réglage pendant la journée, lorsque la luminosité ambiante est au niveau souhaité dans la zone.
- Le niveau de luminosité ne peut pas être activé lorsque le Mode test est en marche. Avant d'activer la fonction de niveau de luminosité, attendez la fin du Mode test ou sélectionnez un autre réglage de temporisation.
- La DEL du détecteur de présence à IRP peut toujours réagir lorsque les lumières restent **éteintes**. Les DEL clignotent également périodiquement pour indiquer que la fonction de niveau de luminosité du détecteur est activée.
- Les réglages du niveau de luminosité sont uniquement sauvegardés en cas de coupure de l'alimentation. Le fait de désactiver puis réactiver la fonction de niveau de luminosité ne permettra pas de retrouver les réglages précédents.

- Si le Mode test est activé après l'activation de la fonction de niveau de luminosité, celle-ci cessera de fonctionner pendant toute la durée du Mode test. Lorsque le Mode test arrive à sa fin, la fonction de niveau de luminosité se réactive, même si les interrupteurs DIP restent en Mode test.

Réglage du niveau de luminosité

1. Assurez-vous que le Mode test est désactivé.
2. Basculez l'état du détecteur en appuyant brièvement sur le bouton de niveau de luminosité, pour inclure ou exclure la charge d'éclairage de l'étalonnage du niveau de luminosité. Ouvrez le couvercle frontal et localisez le bouton-poussoir du niveau de luminosité. Voir Réglage du détecteur.
3. Appuyez sur le bouton de réglage du niveau de luminosité et maintenez-le enfoncé pendant 2 secondes ou plus, ou jusqu'à ce que les DEL de détection **s'allument**. Ne dépassez pas 5 secondes.* Le détecteur passe en mode de réglage, indiqué par le clignotement rapide des DEL. La DEL clignote pendant toute la procédure de réglage. Les indications de présence de la DEL sont désactivées pendant le réglage.
4. Éloignez-vous du détecteur pour éviter toute interférence pendant la détection du niveau de luminosité. Le détecteur mesure le niveau de luminosité pendant 10 secondes, puis fait la moyenne des relevés et règle automatiquement le niveau à utiliser comme nouveau réglage. Le détecteur laisse les lumières éteintes lorsque la luminosité ambiante est supérieure à ce réglage.
5. Lorsque la DEL ne clignote plus, remplacez le couvercle frontal.

*Désactivation du niveau de luminosité

- Appuyez sur le bouton-poussoir pendant 5 secondes ou plus pour remettre la fonction de niveau de luminosité au réglage par défaut (maximum).
- Appuyez sur le bouton de réglage du niveau de luminosité et maintenez-le enfoncé pendant 5 secondes, ou jusqu'à ce que les DEL de détection **s'allument** puis **s'éteignent**. La DEL clignote rapidement pendant 10 secondes après que le réglage ait été modifié.

PROTECTION CONTRE LA SURCHARGE

Le détecteur de mouvement a une fonction de protection contre la surcharge et coupe automatiquement la sortie régulation lorsque la charge dépasse 200 mA. La DEL du détecteur clignote alors rapidement (~ 10 Hz) pour donner une indication visuelle de la situation de surcharge. Lorsque le courant de charge est corrigé ou revient à la normale, la sortie de régulation reprend son fonctionnement.

DÉPANNAGE

Les lumières ne S'ALLUMENT pas en cas de présence, et la condition suivante est présente :

La DEL rouge ne clignote pas :

1. Vérifiez que le disjoncteur de circuit a bien été réenclenché.
2. Vérifiez tous les raccordements des fils du détecteur et du bloc d'alimentation.
3. Vérifiez que le capteur est raccordé à une tension de 24 V.
 - Si du 24 V est bien présent, remplacez le détecteur.
 - Si vous ne trouvez pas de 24 V, vérifiez la présence de haute tension au niveau du bloc d'alimentation. Si c'est le cas, remplacez le bloc d'alimentation.
4. Assurez-vous que la sensibilité IRP est réglée sur le minimum (interrupteur DIP 5 sur MARCHE).
5. Si la DEL ne clignote toujours pas, appelez le 800.879.8585 pour obtenir une assistance technique.

La DEL clignote :

1. Vérifiez tous les raccordements des fils du détecteur et du bloc d'alimentation.
2. Contrôlez la présence de 24 V CC au niveau des raccordements des fils bleu et noir du bloc d'alimentation sur le détecteur tandis que le détecteur est activé. En l'absence de tension, remplacez le détecteur. En présence de tension, remplacez le bloc d'alimentation.
3. Si la DEL clignote rapidement (~ 10 Hz), une situation de surcharge est présente. Une fois ce problème corrigé, le détecteur reprend son fonctionnement normal. Vérifiez le branchement du fil bleu. Si besoin, remplacez le bloc d'alimentation.

Interrupteur tension du secteur connecté, comme indiqué dans le schéma de câblage :

1. Assurez-vous que l'interrupteur est réglé sur MARCHE.

Les lumières ne S'ÉTEIGNENT pas automatiquement :

1. La technologie du détecteur (IRP) peut être activée par des mouvements hors de la zone contrôlée ou par d'autres types d'interférence (voir « Activations non voulues du capteur » ci-dessous).
2. Vérifiez tous les raccordements des fils du détecteur et du bloc d'alimentation.
3. Débranchez le fil bleu du bloc d'alimentation :
 - Si les lumières ne s'éteignent pas, remplacez le bloc d'alimentation. Rebranchez le fil bleu.
 - Si les lumières s'éteignent, le problème peut résider dans le détecteur. À vérifier :
 - Rebranchez le fil bleu.
 - Réglez la sensibilité et la temporisation sur leur minimum et laissez le détecteur atteindre la fin de la temporisation.
 - Si les lumières s'éteignent, le détecteur fonctionne correctement (voir numéro 1, ci-dessus, et « Réglage du détecteur » pour régler à nouveau le détecteur).

Activations non voulues du détecteur (DEL clignote) :

Placement inadéquat du détecteur ou cache inadapté provoquant une détection à l'extérieur de la zone de portée souhaitée.

1. Le réglage de la sensibilité IRP est peut-être trop élevé.
2. Le détecteur est placé trop près de conduits de CVCA ou DAV avec un débit d'air élevé.
3. Vérifiez que la fonction niveau de luminosité est bien activée.
 - Si la DEL de présence clignote à intervalles de quelques secondes, le détecteur utilise la fonction de niveau de luminosité.

- Si la función de nivel de luminosidad no debe ser utilizada, presione el botón y manténgalo presionado 5 segundos para restablecer el detector al ajuste por defecto (máximo).

Soluciones posibles :

- Obstruya la lente para reducir la cobertura IRP (ver « **Obstrucción de la lente IRP** », bajo « **Instrucciones de colocación** »).
- Modifique el ajuste de la configuración lógica. Reporte a la sección **Interruptores DIP**.
- Desplace el detector.

INFORMACIONES CONCERNANT LES COMMANDES

Numéro de catalogue	Description
CI-300	Détecteur de mouvement IRP, basse tension, lentille 360°, jusqu'à 111 m ² (1 200 pi ²), relais isolé et détecteur du niveau de luminosité.
CI-300-1	Détecteur de mouvement IRP, basse tension, lentille à haute densité et portée réduite 360°, jusqu'à 46 m ² (500 pi ²), relais isolé et détecteur du niveau de luminosité.
BZ-50/BZ-150	Bloc d'alimentation: 120/277VCA, 50/60Hz, ballast ou incandescent 20A, (BZ-150 avec une capacité de Maintien de l'état marche/Maintien de l'arrêt)
BZ-200/BZ-250	Bloc d'alimentation: 120/277VCA, 50/60 Hz, Ballast/ELV/MLV/Incandescent/DEL 20A, E-Ballast/CFL/Prise de courant 16A, (BZ-250 avec une capacité de Maintien de l'état marche/Maintien de l'arrêt)
BZ-250-347	Bloc d'alimentation: 120/347VCA, 50/60 Hz, Ballast/ELV/MLV/Incandescent/DEL/ E-Ballast/CFL 16A, Prise de courant 15A, avec une capacité de Maintien de l'état marche/Maintien de l'arrêt

Tous les détecteurs sont blancs. Les blocs d'alimentation de la série BZ peuvent alimenter jusqu'à 8 détecteurs CI-300.

INSTRUCCIONES EN ESPAÑOL

DESCRIPCIÓN Y FUNCIONAMIENTO

Los sensores de ocupación con tecnología infrarroja pasiva (PIR) de 360° CI-300 de Wattstopper encienden y apagan los sistemas de iluminación según la ocupación y el nivel de luz ambiental. La función de nivel de luz evita que las luces se enciendan si el nivel de luz ambiente es suficiente.

Los sensores pueden configurarse para encender la iluminación y mantenerla encendida siempre que el sensor detecte ocupación. Si no se detecta movimiento alguno durante el tiempo que especifica el usuario (30 segundos a 30 minutos), las luces se apagan. El modo de "recorrido" puede apagar las luces después de solo 3 minutos si no se detecta actividad después de 30 segundos de que se detecte ocupación.

El CI-300 opera con 24V suministrados por los paquetes de alimentación Wattstopper de 24 V CA o CA de media onda rectificadas. Los sensores CI-300 también tienen un relé aislado con contactos Normalmente abierto (N.A.) y Normalmente cerrado (N.C.) para acoplarse con el sistema de calefacción, ventilación y aire acondicionado (HVAC) o el sistema de administración de energía (EMS).

ESPECIFICACIONES

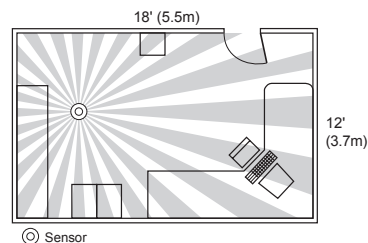
Voltaje.....	de 18-28 VCC/VCA, CA rectificadas de media onda
Consumo de corriente a 24VCC/VCA.....	15 mA
Fuente de alimentación	Paquetes de alimentación Wattstopper
Especificaciones del relé aislado	1 A a 30 VCC/VCA
Temperatura de funcionamiento.....	0° a 55°C (32° a 131°F)
Ajuste de nivel de luz en un paso	10 FC a 300 FC
Ajuste del tiempo de demora.....	30 segundos a 30 minutos
Modo de recorrido	3 minutos si no hay actividad después de 30 segundos
Modo de prueba	5 s en el restablecimiento del interruptor DIP
Cobertura del PIR	
Modelo CI-300.....	hasta 1200 pies ²
Modelo CI-300-1	hasta 500 pies ²
Ajuste de sensibilidad.....	Alto o bajo (interruptor DIP)
Calificado por UL y CUL para el uso con paquetes de alimentación Wattstopper	

GUÍAS PARA LA COLOCACIÓN

Según los obstáculos, como muebles o divisiones, el área de cobertura puede ser menor o mayor que las distancias de detección que se muestran en el perfil de cobertura. Esto debe tenerse en cuenta cuando se planifica el número de sensores y su colocación. También se recomienda colocar el sensor entre 4 y 6 pies de distancia de los conductos de suministro de aire, dado que las rápidas corrientes de aire o las diferencias de temperatura pueden ocasionar falsas activaciones.

Montaje de sensor en cielo raso. Los sensores CI-300 están diseñados para una altura de cielo raso de aproximadamente 8 a 10 pies. El montaje por encima o por debajo de este rango afectará significativamente los perfiles de cobertura. Tenga en cuenta que a medida que disminuye la altura de montaje, disminuye el rango y aumenta la sensibilidad a movimientos más pequeños. Al contrario, cuando aumenta la altura, aumenta el rango y disminuye la sensibilidad a movimientos más pequeños. En alturas superiores a 12 y 14 pies, la sensibilidad quizás se reduzca de manera significativa. Como regla general, cada ocupante debería poder ver el sensor claramente.

A menudo, la mejor ubicación para instalar un CI-300 en una oficina cerrada es fuera del centro. No coloque el sensor directamente alineado con una puerta abierta que dé a una vista clara al exterior, dado que el sensor puede detectar a las personas que pasan caminando.

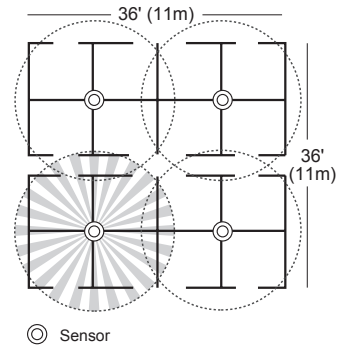


Cobertura de área abierta de oficina

Para obtener una cobertura completa en un área abierta de oficina, instale varios sensores para que haya superposición con el área de cobertura de cada sensor adyacente.

Para las áreas de oficina abierta con divisiones, lo mejor es colocar los sensores sobre la intersección de cuatro estaciones de trabajo.

Para áreas de cobertura grandes, use múltiples sensores.



Enmascaramiento de la lente PIR

Se proporciona una cinta adhesiva opaca para que se puedan enmascarar secciones de la lente PIR. Esto restringe la visualización del sensor y permite eliminar la cobertura PIR en áreas no deseadas, como los vestíbulos que se encuentran fuera del área cubierta deseada. Dado que el enmascaramiento quita franjas de cobertura, téngalo en cuenta cuando intente resolver problemas de cobertura.

INSTRUCCIONES DE CABLEADO

Cada paquete de alimentación de la serie BZ de Wattstopper puede suministrar energía a 8 sensores CI-300. Cuando se utilicen más sensores, se necesitarán varios paquetes de alimentación.

Consulte el diagrama de cableado para los siguientes procedimientos:

Conecte el **bajo voltaje**:

- Cable ROJO (+24 V CC) de la fuente de alimentación a la terminal de **+24V** del sensor.
- Cable NEGRO (retorno) de la fuente de alimentación a la terminal **común** del sensor.
- Cable AZUL de la fuente de alimentación a la terminal de **salida de control** del sensor.

Para agregar un interruptor manual como el interruptor momentáneo de palanca LVSW-10x a las aplicaciones anteriores, conecte:

- El cable de un lado del interruptor a la terminal de +24 del sensor.
- El cable del otro lado del interruptor a la terminal de interruptor man. del sensor.

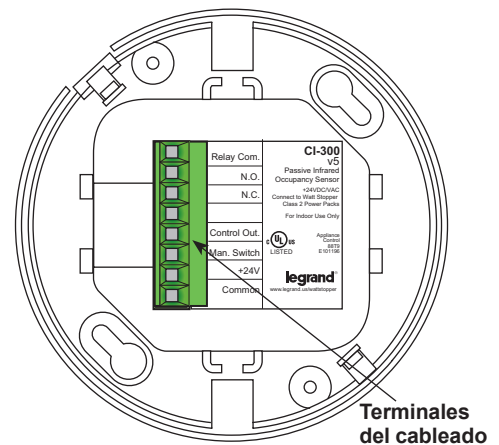
Cableado del relé aislado: (El relé aislado es apto para 1 A a 30 V CAV CC)

Conecte los cables necesarios para la aplicación que requiere esta salida:

- Relé común (se debe usar para el funcionamiento adecuado).
- Normalmente abierto (N.A.): se cierra cuando se detecta una presencia.
- Normalmente cerrado (N.C.): se abre cuando se detecta una presencia

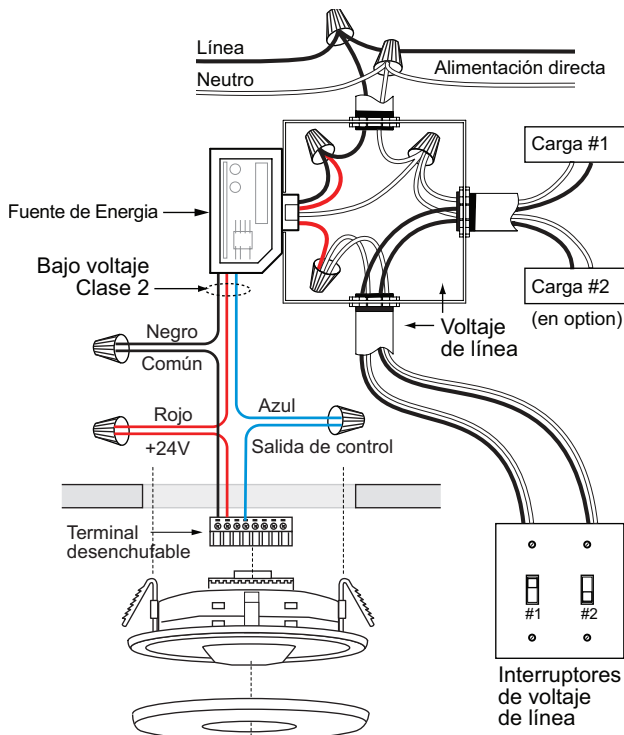
Se debe tener cuidado para separar la energía de alto voltaje del cableado de control de bajo voltaje (Clase 2).

Todas las conexiones que van al sensor son de bajo voltaje, Clase 2.

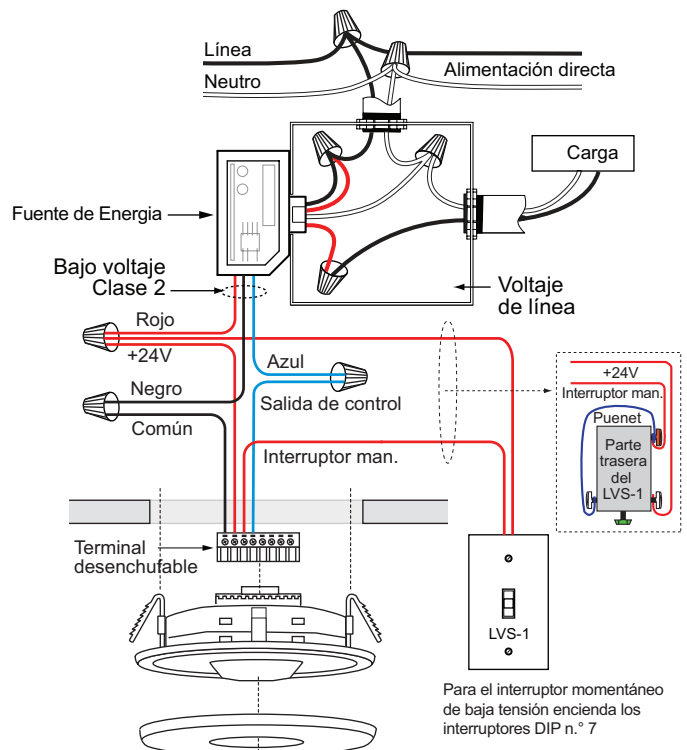


Terminales del cableado

Cableado estándar con interruptor de apagado local



Cableado de Encendido manual con interruptor momentáneo de bajo voltaje



Para el interruptor momentáneo de baja tensión enciende los interruptores DIP n.º 7

Cableado con la función de encendido manual en los paquetes de alimentación BZ-150 y BZ-250

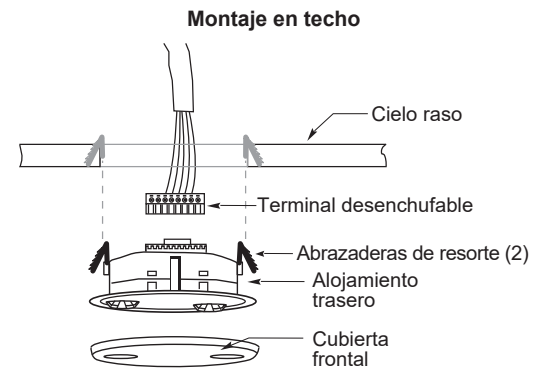
Los paquetes de alimentación BZ-150 y BZ-250 tienen una función que permite el control de encendido manual desde el paquete de alimentación en lugar del sensor. Una ventaja de cablear de esta manera es que permite conectar múltiples sensores a un solo paquete y aún así retener el control de encendido manual desde un interruptor. Para ver los diagramas de cableado que utilizan esta función, consulte las instrucciones de instalación de BZ-150 o BZ-250.

MONTAJE DEL SENSOR

Directamente en cielo raso

Para aplicaciones que requieren clasificación plénum

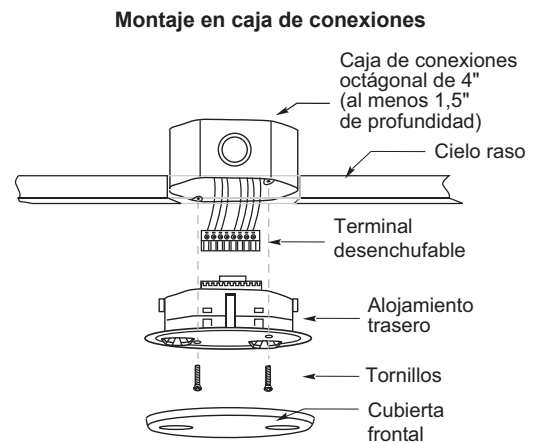
1. Coloque las abrazaderas de resorte plásticas en el borde del sensor en las ranuras correspondientes.
2. Perfore un orificio redondo de 3,5" a 4" en la losa del cielo raso acústica en la ubicación del montaje. Se recomienda hacer un orificio redondo de 3,5" para que el calce sea seguro.
3. Pase el cable de bajo voltaje desde el paquete de alimentación hacia al sensor por el orificio.
4. Conecte los cables de bajo voltaje con las terminales correspondientes del sensor.
5. Eleve el sensor pasándolo por el orificio hasta que las abrazaderas de resorte sostengan con firmeza el sensor en su lugar.
6. Encastre la cubierta frontal en el sensor.



Uso de una caja de conexiones octágonal

No se requiere caja en aplicaciones que no exigen clasificación plénum

1. Pase los cables de bajo voltaje desde la fuente de alimentación hacia dentro de la caja de conexiones por el troquel del conducto.
2. Conecte los cables de bajo voltaje con las terminales correspondientes del sensor.
3. Afloje los tornillos de montaje del dispositivo de la caja de conexiones.
4. Alinee el sensor en la caja de conexiones, de modo que los tornillos de montaje de la caja coincidan con los orificios del alojamiento trasero del sensor.
5. Introduzca el sensor en la caja de conexiones y gírela para que los tornillos de montaje se inserten en las ranuras de los orificios tipo bocallave.
6. Apriete los dos tornillos para fijar el sensor a la caja de conexiones.
7. Encastre la cubierta frontal en el sensor.

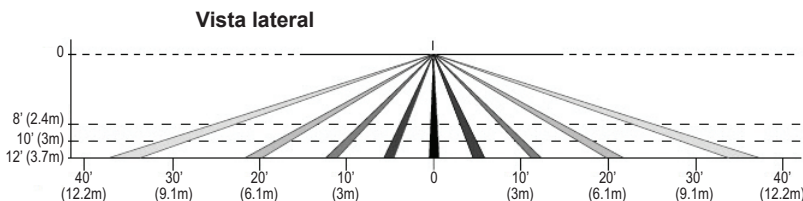


DIAGRAMAS DE COBERTURA

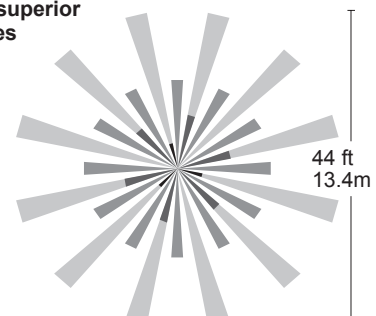
El CI-300 cuenta con lentes Fresnel multicelulares de varios niveles con un campo de visión de 360°. El sensor tiene dos opciones de perfiles de lentes. El lente de alcance extendido cubrirá hasta 1200 pies cuadrados cuando se monte desde 8 a 12 pies. El lente de alta densidad o alcance reducido cubrirá hasta 500 pies cuadrados cuando se monte desde 8 a 12 pies.

La cobertura que se muestra en los diagramas siguientes es el máximo y representa la cobertura de un movimiento de caminata de paso intermedio, sin barreras u obstáculos.

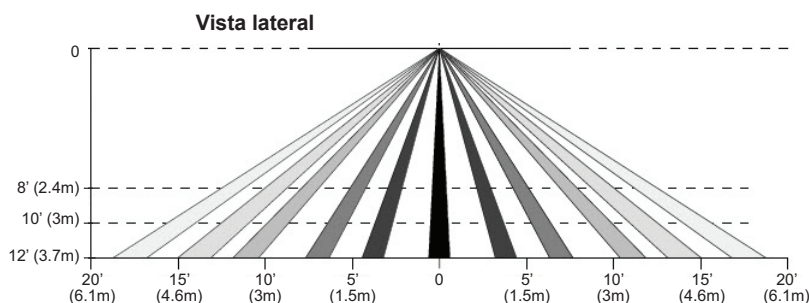
C-300 Coverage Pattern (Lente de alcance extendido – estándar)



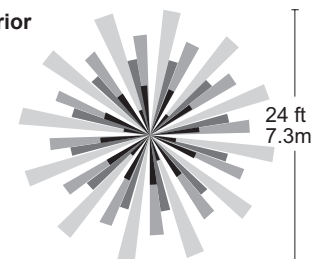
Vista superior a 8 pies



C-300 Coverage Pattern (Lente de alta densidad o de alcance reducido)



Vista superior a 8 pies



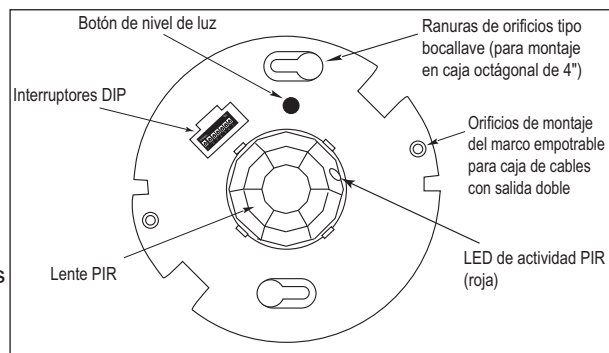
AJUSTE DEL SENSOR

Esta unidad se preconfigura en fábrica para el funcionamiento básico como se describe en esta guía. El ajuste es opcional.

Los sensores vienen con ajuste predeterminado de fábrica para permitir una instalación rápida en la mayoría de las aplicaciones. Con los siguientes procedimientos, se puede verificar que el cableado o la cobertura sean adecuados o personalizar los ajustes del sensor. Para hacer ajustes, abra la cubierta frontal.

Hay un período de calentamiento de 30 segundos cuando se aplica la alimentación por primera vez.

Antes de hacer ajustes, asegúrese de que los muebles de oficina estén instalados, de que los circuitos de iluminación estén encendidos y de que los sistemas de HVAC estén en la posición de anulación/encendido. Los sistemas VAV deben configurarse con su máximo caudal de aire. Configure los interruptores DIP en el valor deseado. Consulte “Configuración del interruptor DIP” en la página siguiente.



Para probar los sensores de ocupación

1. Asegúrese de que la demora de tiempo se configure para el **modo de prueba*** mediante la configuración “Modo de prueba/20 minutos”. (los interruptores DIP 1, 2 y 3 están **apagados**).
2. Asegúrese de que el nivel de luz esté en el valor predeterminado (máximo). Consulte la sección Función de nivel de luz de este documento para obtener instrucciones.
3. No se mueva. El LED rojo no debería destellar. Las luces deberían apagarse luego de 5 segundos. (En caso contrario, consulte “Solución de problemas”).
4. Trasládese por el área de cobertura. Las luces deberían encenderse.
5. Cuando haya finalizado con la prueba y el ajuste, restablezca los interruptores DIP y el nivel de luz a las configuraciones deseadas, y vuelva a colocar la cubierta en el sensor.

* **El modo de prueba** es un estado temporal que comienza cuando ajusta por primera vez los interruptores DIP del sensor para el “Modo de prueba/20 minutos” (interruptores 1, 2, 3 **apagados**). Si usted necesita seleccionar el **modo de prueba** y los interruptores DIP ya están configurados para el “Modo de prueba/20 minutos”, mueva el interruptor DIP 1 a la posición de **encendido** y, luego, a la posición de **apagado**. Esto proporciona un período de prueba de 10 minutos. Durante el período de prueba, la demora de tiempo es de solo 5 segundos.

FUNCIÓN DE NIVEL DE LUZ

La función de nivel de luz mantiene las luces apagadas durante la presencia inicial si hay una luz ambiente adecuada. No **apagará** las luces si están **encendidas**. La configuración predeterminada está ajustada al máximo, lo que significa que aun con la luz ambiente más clara no se mantendrá las luces **apagadas**.

Notas sobre la funcionalidad

- Evite montar el sensor cerca de dispositivos de iluminación.
- Realice los ajustes durante el día cuando la luz ambiente en el área esté en el nivel deseado.
- El nivel de luz no se puede activar mientras esté activo el modo de prueba. Espere a que finalice el modo de prueba o seleccione cualquiera de las configuraciones adicionales de demora de tiempo antes de activar la función de nivel de luz.
- El indicador LED de presencia PIR quizás aún responda cuando las luces se mantienen **apagadas**. Las luces LED también destellarán periódicamente para indicar que el sensor tiene el nivel de luz activado.
- Las configuraciones de nivel de luz solo se guardan en el caso de una pérdida de alimentación. Si se desactiva el nivel de luz y, luego, se lo vuelve a activar, esto no restituirá las configuraciones anteriores.
- Si se activa el modo de prueba después de haber establecido el nivel de luz, la funcionalidad de nivel de luz dejará de funcionar durante todo el período de duración del modo de prueba. Cuando finalice el período del modo de prueba, se reanudará la funcionalidad de nivel de luz, aun cuando los interruptores DIP permanezcan configurados en el modo de prueba.

Configuración del nivel de luz

1. Asegúrese de que el modo de prueba no esté activo.
2. Alterne el estado del sensor, pulsando brevemente el botón de nivel de luz, para incluir la carga de iluminación en la calibración del nivel de luz o excluirla de esta. Abra la cubierta frontal y encuentre el botón de nivel de luz. Consulte Ajuste del sensor.
3. Presione y mantenga presionado el botón de nivel de luz durante 2 o más segundos, o hasta que las luces LED de detección se **enciendan**. No supere los 5 segundos.* El sensor ingresa al modo de configuración, como lo indican las luces LED que destellan rápidamente. El LED destellará durante todo el proceso de configuración. Los indicios de ocupación desde el LED se deshabilitan durante la configuración.
4. Aléjese del sensor para evitar la interferencia con la detección de nivel de luz. El sensor mide el nivel de luz durante un período de 10 segundos, luego realiza un promedio de las lecturas y establece automáticamente el nivel que se utilizará como la nueva configuración. El sensor mantendrá las luces apagadas cuando la luz ambiente exceda esta configuración.
5. Cuando el LED deje de destellar, vuelva a colocar la cubierta frontal.

*Desactivación del nivel de luz

- Al presionar el botón durante 5 segundos o más, se restablece la luz al valor predeterminado (máximo).
- Presione y mantenga presionado el botón de nivel de luz durante 5 segundos, o hasta que las luces LED de detección se **enciendan** y **apaguen**. El LED destella rápidamente durante 10 segundos después de que la configuración ha cambiado.

CONFIGURACIÓN DEL INTERRUPTOR DIP

El sensor CI-300 tiene 7 interruptores DIP debajo de la cubierta.

Demora de tiempo: Interruptores 1, 2, 3

El sensor mantendrá las luces **encendidas** siempre y cuando se detecte una presencia. La cuenta regresiva de la demora de tiempo se inicia cuando no se detecta movimiento. Si no se detecta movimiento durante la duración de la demora de tiempo, el sensor apaga las luces.

Interruptor de recorrido 4

El modo de recorrido **apaga** las luces tres minutos después de que el área se ocupó inicialmente, si no se detecta movimiento después de los primeros 30 segundos. Si el movimiento continúa más allá de los primeros 30 segundos, se aplica la demora de tiempo seleccionada.

PIR Sensitivity (Sensibilidad PIR): Interruptor 5

- El mínimo obliga un rango de detección reducido para la tecnología PIR.
- El máximo obliga la sensibilidad al área de cobertura máxima. Esta configuración se actualiza constantemente.

Servicio: Interruptor 6

Para anular todas las funciones del sensor, configure el interruptor DIP 6 en la posición de **encendido**. El LED rojo aparecerá y permanecerá encendido durante la anulación.

Esto pasa por alto las funciones de nivel de luz y de control de detección de ocupación del sensor, pero aun así permite que las luces se puedan controlar de forma manual con un interruptor de luz, interruptor de baja tensión o el botón de nivel de luz.

Modo de encendido: Interruptor 7

La función de **encendido** manual se facilita instalando un interruptor momentáneo como el interruptor de palanca momentáneo LVSW-10x Wattstopper. Este interruptor se conecta con la función Manual (Man.) del sensor. El interruptor y las terminales de +24 V se muestran en el diagrama del cableado. Cada vez que se presiona el interruptor, la carga cambia el estado. El funcionamiento del sensor en relación con el interruptor accionado manualmente se determina según la configuración del interruptor DIP 7.

Encendido manual: En este modo, se requiere el interruptor para encender la carga. Luego, el sensor se utiliza para mantener la carga activada, según la actividad de presencia. Después de finalizada la demora de tiempo, si no se detecta ningún movimiento dentro del período de reinicio de 30 segundos, se debe utilizar el interruptor manual para **encender** la carga.

Encendido automático: Este modo utiliza la ocupación así como la activación mediante interruptor para **encender** la carga. Un interruptor manual proporciona la siguiente funcionalidad adicional:

1. La carga puede encenderse con la activación del interruptor manual y permanece encendida según la configuración de lógica de presencia. La demora de tiempo del sensor funciona según lo programado. Cuando la carga se **apaga** a causa de la falta de detección de presencia, la carga puede volver a **encenderse** mediante la detección de presencia o mediante la activación del interruptor.
2. Si se activa el interruptor manual mientras la carga está **encendida**, esto **apaga** la carga.
 - Cuando se **apaga** la carga manualmente, siempre y cuando el sensor siga detectando la presencia, la carga se mantiene **apagada**. Para el retardo de tiempo seleccionado, las luces permanecen apagadas y el sensor vuelve al modo de encendido automático.
 - Cuando la carga se **apaga** manualmente, al presionar el interruptor nuevamente, la carga se **enciende** y el sensor se revierte al modo de encendido automático.
 - Una vez que el sensor vuelve al modo de encendido automático, el interruptor o la detección de presencia pueden **encender** la carga.

Interruptor n.º			
Tiempo de demora	1	2	3
Modo de prueba/20 min	↓	↓	↓
30 segundos	↓	↓	↑
5 minutos	↓	↑	↓
10 minutos	↓	↑	↑
15 minutos	↑	↓	↓
20 minutos	↑	↓	↑
25 minutos	↑	↑	↓
30 minutos	↑	↑	↑
Recorrido	4		
Activado	↑		
Desactivado	↓	◀	
Sensibilidad PIR	5		
Mínimo	↑		
Máximo	↓	◀	
Servicio	6		
Servicio	↑		
Normal	↓	◀	
Modo de encendido	7		
Encendido manual	↑		
Encendido automático	↓	◀	

- ◀ = Configuración de fábrica
- ↑ = ENCENDIDO
- ↓ = APAGADO

PROTECCIÓN CONTRA SOBRECARGA

El sensor de presencia tiene una función de protección contra sobrecarga integrada que apaga la salida del control automáticamente cuando la corriente de la carga supere 200 mA. La luz LED del sensor parpadeará rápidamente (~ 10 Hz) a fin de emitir una señal visual de una condición de sobrecarga. Cuando se corrija la corriente de la carga o vuelva al estado normal, la salida del control volverá a encenderse.

SOLUCIÓN DE PROBLEMAS

Las luces no se encienden con la ocupación, y existe la siguiente condición:

El LED rojo no destella:

1. Verifique que el disyuntor se haya encendido de nuevo.
2. Verifique todas las conexiones de cables del sensor y de la fuente de alimentación.
3. Compruebe la entrada de 24 V al sensor:
 - Si hay 24 V, cambie el sensor.
 - Si no hay 24 V, verifique que hay alto voltaje dirigido a la fuente de alimentación. Si es así, reemplace la fuente de alimentación.
4. Asegúrese de que la sensibilidad del PIR se configure al mínimo (interruptor DIP n.º 5 configurado en la posición de encendido).
5. Si sigue sin destellar, llame al 800.879.8585 para obtener servicio técnico.

El LED destella:

1. Verifique todas las conexiones de cables del sensor y de la fuente de alimentación.
2. Verifique que haya 24 V CC en las conexiones de los cables azul de la fuente de alimentación que van al sensor mientras el sensor está activo. Si no hay voltaje, cambie el sensor. Si hay voltaje, reemplace la fuente de alimentación.
3. Si la luz LED destella rápidamente (~10 Hz), hay una condición de sobrecarga. Cuando esta situación se corrige, el sensor vuelve a funcionar normalmente. Verifique la conexión del cable azul. Si es necesario, cambie la fuente de alimentación.

Interruptor de tensión de la línea conectado, como se muestra en el ejemplo de cableado:

1. Asegúrese que el interruptor esté configurado a la posición de encendido.

Las luces no se apagan automáticamente:

1. La tecnología (PIR) del sensor puede estar experimentando activaciones desde fuera del área controlada o desde algún tipo de interferencia (consulte "Activaciones no deseadas del sensor" a continuación).
2. Controle todas las conexiones de cables del sensor y de la fuente de alimentación.
3. Desconecte el cable azul de la fuente de alimentación:

Si las luces no se apagan, reemplace la fuente de alimentación. Vuelva a conectar el cable azul.

Si las luces se apagan, el problema puede estar en el sensor.

Para comprobar:

- Vuelva a conectar el cable azul.
- Vuelva la sensibilidad y la demora de tiempo al mínimo y permita que el sensor termine el tiempo de espera.
- Si las luces se apagan, el sensor está funcionando correctamente (vea el número 1, arriba, "Ajuste del sensor" para el reajuste del sensor).

Activaciones no deseadas del sensor (el LED destella):

Una ubicación del sensor o un enmascaramiento no adecuados pueden provocar detección fuera del área de cobertura deseada.

1. La sensibilidad del PIR puede estar configurada demasiado alta.
2. Sensor situado demasiado cerca de los respiraderos de HVAC o de VAV con un flujo de aire fuerte.
3. Verifique que el nivel de luz esté activado.
 - Si el LED indicador de ocupación parpadea cada unos pocos segundos, el sensor está utilizando la función de nivel de luz.
 - Si no se desea la funcionalidad de nivel de luz, presiónela y manténgala presionada durante 5 segundos para volver el sensor a la configuración predeterminada (máximo).

Soluciones posibles:

- Enmascare el lente para reducir la cobertura del PIR (consulte **Enmascaramiento del lente PIR** que aparece dentro del título **Guías para la colocación**).
- Cambie el ajuste de configuración lógica, consulte **Interruptores DIP**.
- Reubique el sensor.

INFORMACIÓN PARA HACER PEDIDOS

Número de catálogo	Descripción
CI-300	Sensor de ocupación PIR, baja tensión, lente 360°, hasta 1200 pies cuadrados, relé aislado y sensor de nivel de luz.
CI-300-1	Sensor de ocupación PIR, baja tensión, lente de alta densidad/rango reducido de 360°, hasta 500 pies cuadrados, relé aislado y sensor de nivel de luz.
BZ-50/BZ-150	Fuente de alimentación: 120/277VAC, 50/60Hz, balasto o carga incandescente de 20A, (BZ-150 con capacidad de Mantener encendido/Mantener apagado)
BZ-200/BZ-250	Fuente de alimentación: 120/277VAC, 50/60 Hz, Balasto/ELV/MLV/Incandescente/LED de 20A, Balasto eléctrico/LFC/Carga del enchufe de 16A, (BZ-250 con capacidad de Mantener encendido/Mantener apagado)
BZ-250-347	Fuente de alimentación: 120/347VAC, 50/60 Hz, Balasto/ELV/MLV/Incandescente/LED/ Balasto eléctrico/LFC de 16A, Carga del enchufe, con capacidad de Mantener encendido/Mantener apagado capability de 15A

Todos los sensores son blancos. Las fuentes de alimentación de la serie BZ proporcionan alimentación para hasta 8 sensores CI-300.

WARRANTY INFORMATION

Wattstopper warrants its products to be free of defects in materials and workmanship for a period of five (5) years. There are no obligations or liabilities on the part of Wattstopper for consequential damages arising out of, or in connection with, the use or performance of this product or other indirect damages with respect to loss of property, revenue or profit, or cost of removal, installation or reinstallation.

INFORMATIONS RELATIVES À LA GARANTIE

Wattstopper garantit que ses produits sont exempts de défauts de matériaux et de fabrication pour une période de cinq (5) ans. Wattstopper ne peut être tenu responsable de tout dommage consécutif causé par ou lié à l'utilisation ou à la performance de ce produit ou tout autre dommage indirect lié à la perte de propriété, de revenus, ou de profits, ou aux coûts d'enlèvement, d'installation ou de réinstallation.

INFORMACIÓN DE LA GARANTÍA

Wattstopper garantiza que sus productos están libres de defectos en materiales y mano de obra por un período de cinco (5) años. No existen obligaciones ni responsabilidades por parte de Wattstopper por daños consecuentes que se deriven o estén relacionados con el uso o el rendimiento de este producto u otros daños indirectos con respecto a la pérdida de propiedad, renta o ganancias, o al costo de extracción, instalación o reinstalación.