



**Project:**

**Type:**

**Prepared By:**

**Date:**



UPC: 019813750477

### Features and Benefits

- Energy efficient replacement for incandescent and halogen reflector lamps
- Constructed from durable plastic which lowers risk of breakage
- Rated for use in enclosed and open fixtures in dry or damp locations
- Frosted lens produces smooth diffuse light
- Longer lifespan compared to legacy equivalents minimizes replacement and maintenance costs
- ENERGY STAR Compliant
- Dimmable with common dimmer types (see Dimmer Compatibility List)

### Technical Specifications

#### Performance

**Product Type:**  
Reflector

**Input Wattage:**  
13W

**Lumens:**  
950lm

**Efficacy:**  
73lm/W

**L70 Lifespan:**  
25,000-Hour LED lifespan based on IES LM-70 results

**Wattage Equivalency:**  
75W

#### LED Characteristics

**Color Accuracy (CRI):**  
80

**Color Temperature:**  
3000K

**Beam Angle:**  
110°

**Electrical**  
**Power Factor:**  
>0.9

**Dimmable:**  
Yes, down to 20%

**Input Voltage:**  
120V

**Operating Temperature:**  
-20°C to 40°C

#### Construction

**Shape:**  
BR40

**Enclosure Material:**  
Plastic

**Housing Finish:**  
White

**Lens Finish:**  
Frosted

**Installation**  
**Base Type:**  
E26 Edison

**Other**  
**Technology EQ:**  
Incandescent

#### Compliance

**UL Listed:**  
Yes

**Environment:**  
Damp / Enclosed

**Rohs:**  
Mercury and UV free. RoHS-compliant components.

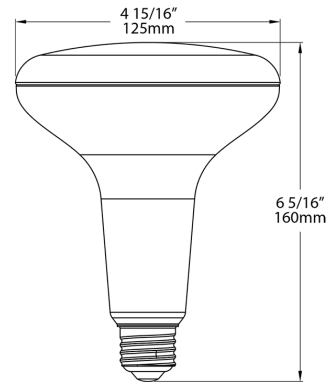
**FCC:**  
Complies with Part 15B of the FCC Rules



## Case and Pallet Dimensions

	QTY	LENGTH (in)	WIDTH (in)	HEIGHT (in)
CASE	6	15.8	10.6	7
PALLET	360	47.2	37	34.8

## Dimension



## Light Distribution

