

## General Accessories

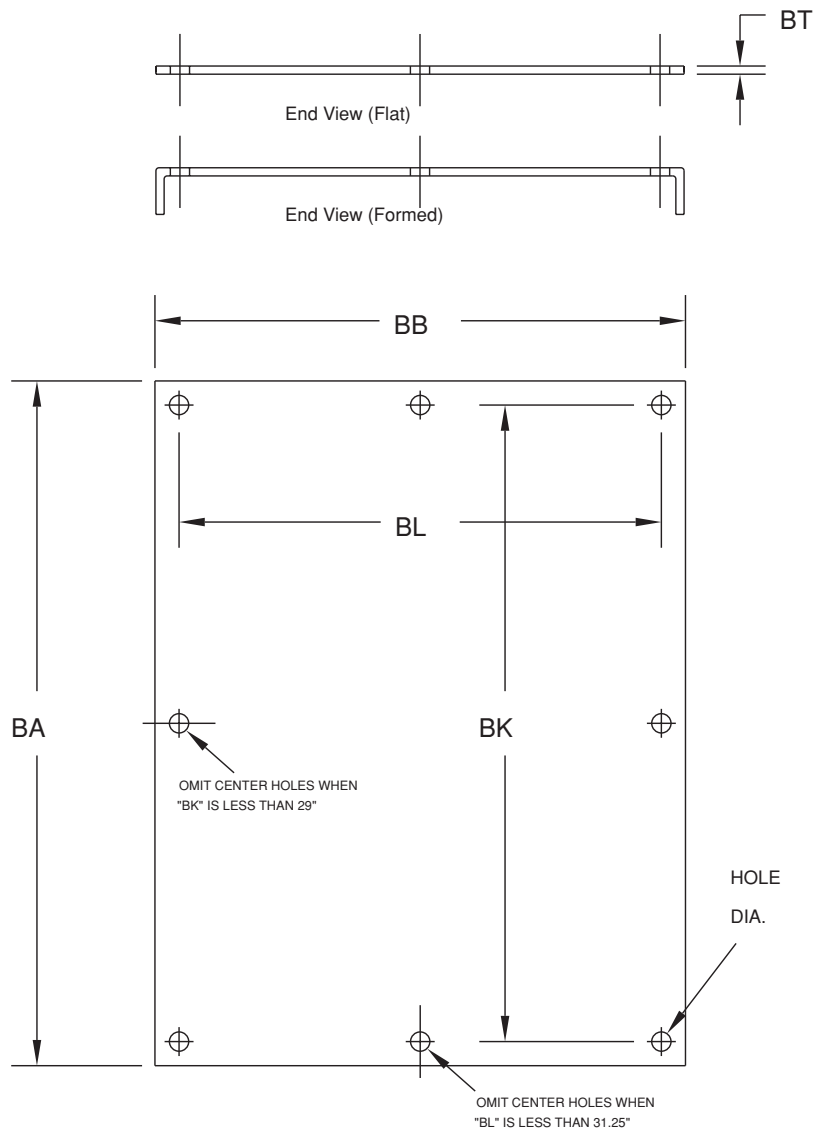
### Back Panels



#### Back Panels

CATALOG SUFFIX	MATERIAL	GRADE	FINISH	MISC.
AL	Aluminum	3003 H14	None	
SS	Stainless Steel	304	None	
FG	Fiberglass			UL94-V0
CS	Carbon Steel	1008/1010	Painted White Enamel	

Note: Available for all product families unless otherwise specified



## Enclosure Specific Accessories

### Typical Series Designation: N Series Back Panel Dimensions

SIZE ID NUMBER	BA	BB	BK	BL	BT (AL)	BT (SS)	BT (CS)	PANEL TYPE	HOLE DIA.	# OF HOLES	Weight (Aluminum) Suffix: AL	Weight (Stainless) Suffix: SS	Weight (Carbon Steel) Suffix: CS
BP1610	13.00 (330)	8.50 (216)	12.00 (305)	7.50 (191)	.080 (2)	.060 (2)	.105 (3)	Flat	0.31 (8)	4	1 lb	1.5 lbs	3.3 lbs
BP2016	17.00 (432)	13.00 (330)	15.25 (387)	11.25 (286)	.080 (2)	.060 (2)	.105 (3)	Flat	.50 (13)	4	2 lbs	3.7 lbs	6.7 lbs
BP2020	17.00 (432)	17.00 (432)	15.25 (387)	15.25 (387)	.080 (2)	.060 (2)	.105 (3)	Flat	.50 (13)	4	2.5 lbs	4 lbs	5.7 lbs
BP2412	21.00 (533)	9.00 (229)	19.25 (489)	7.25 (184)	.080 (2)	.060 (2)	.105 (3)	Flat	.50 (13)	4	1.5 lbs	5 lbs	8.7 lbs
BP2420	21.00 (533)	17.00 (432)	19.25 (489)	15.25 (387)	.13 (3)	.060 (2)	.105 (3)	Flat	.50 (13)	4	4.5 lbs	6 lbs	10.8 lbs
BP2424	21.00 (533)	21.00 (533)	19.25 (489)	19.25 (489)	.13 (3)	.060 (2)	.105 (3)	Flat	.50 (13)	4	5.5 lbs	7.4 lbs	13.4 lbs
BP3020	27.00 (686)	17.00 (432)	25.25 (641)	15.25 (387)	.13 (3)	.060 (2)	.105 (3)	Flat	.50 (13)	4	5.8 lbs	7.7 lbs	14 lbs
BP3024	27.00 (686)	21.00 (533)	25.25 (641)	19.25 (489)	.13 (3)	.060 (2)	.105 (3)	Flat	.50 (13)	4	7 lbs	9.6 lbs	17 lbs
BP3630	33.00 (838)	27.00 (686)	31.25 (794)	25.25 (641)	.13 (3)	.060 (2)	.105 (3)	Flat	.50 (13)	4	11 lbs	15.2 lbs	27 lbs
BP3636	31.00 (787)	33.00 (838)	29.00 (737)	31.00 (787)	.13 (3)	.060 (2)	.105 (3)	Formed	.50 (13)	6	14 lbs	18.5 lbs	33 lbs
BP4836	45.00 (1143)	33.00 (838)	43.25 (1099)	31.25 (794)	.13 (3)	.060 (2)	.105 (3)	Formed	.50 (13)	8	20 lbs	N/A	47 lbs
BP6036	57.00 (1448)	33.00 (838)	55.25 (1403)	31.25 (794)	.13 (3)	.105 (3)	.105 (3)	Formed	.50 (13)	8	25 lbs	N/A	60 lbs
BP7225	64.00 (1626)	21.00 (533)	62.00 (1575)	19.00 (483)	.13 (3)	.105 (3)	.105 (3)	Formed	.50 (13)	10	18.5 lbs	N/A	43 lbs
* BP7249	64.00 (1626)	22.00 (559)	62.00 (1575)	20.00 (508)	.13 (3)	.105 (3)	.105 (3)	Formed	.50 (13)	10	38 lbs	N/A	86 lbs
* BP7260	64.00 (1626)	27.50 (698)	62.00 (1575)	25.50 (648)	.13 (3)	.105 (3)	.105 (3)	Formed	.50 (13)	10	46 lbs	N/A	109 lbs

\* Set of two panels.

Caution: Metric units are for reference; do not convert.

Note: When specifying combine Size ID Number and Material Suffix

Example: BP1610CS for 16x10 Carbon Steel Back Panel

## General Accessories

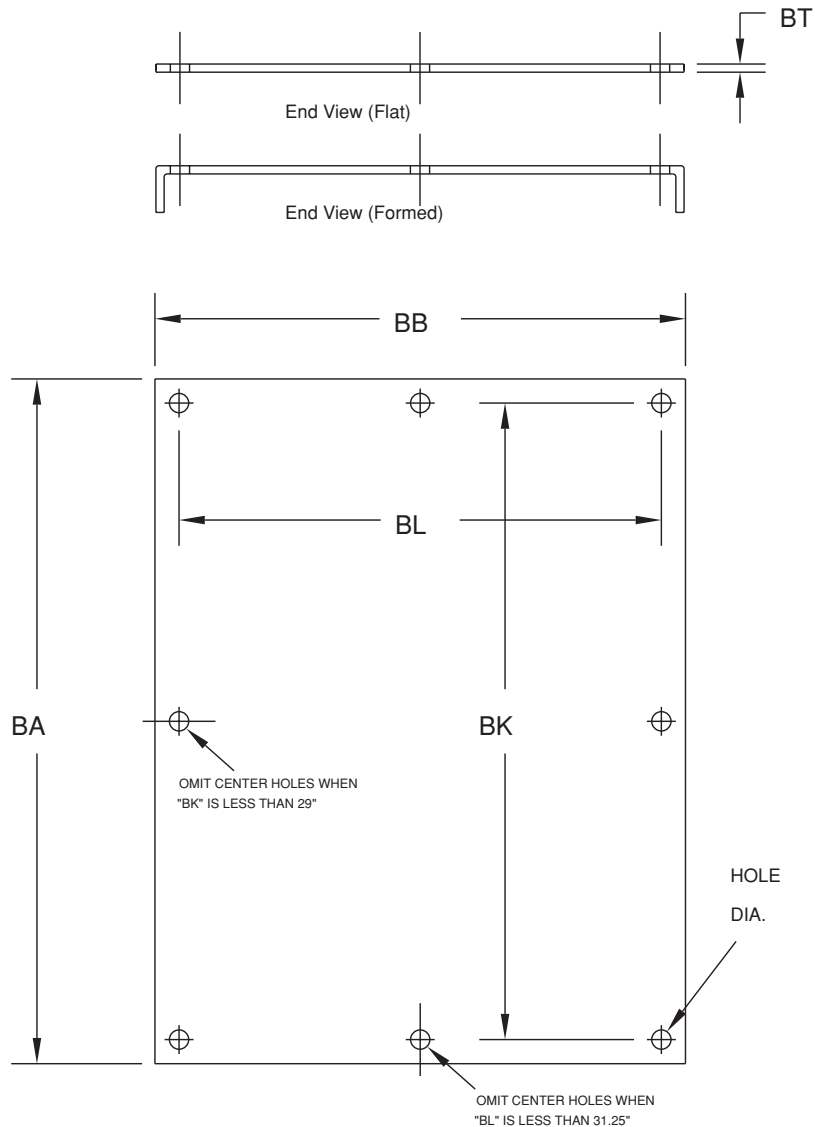
### Back Panels



#### Back Panels

CATALOG SUFFIX	MATERIAL	GRADE	FINISH	MISC.
AL	Aluminum	3003 H14	None	
SS	Stainless Steel	304	None	
FG	Fiberglass			UL94-V0
CS	Carbon Steel	1008/1010	Painted White Enamel	

Note: Available for all product families unless otherwise specified



## Enclosure Specific Accessories

### Typical Series Designation: N Series Back Panel Dimensions

SIZE ID NUMBER	BA	BB	BK	BL	BT (AL)	BT (SS)	BT (CS)	PANEL TYPE	HOLE DIA.	# OF HOLES	Weight (Aluminum) Suffix: AL	Weight (Stainless) Suffix: SS	Weight (Carbon Steel) Suffix: CS
BP1610	13.00 (330)	8.50 (216)	12.00 (305)	7.50 (191)	.080 (2)	.060 (2)	.105 (3)	Flat	0.31 (8)	4	1 lb	1.5 lbs	3.3 lbs
BP2016	17.00 (432)	13.00 (330)	15.25 (387)	11.25 (286)	.080 (2)	.060 (2)	.105 (3)	Flat	.50 (13)	4	2 lbs	3.7 lbs	6.7 lbs
BP2020	17.00 (432)	17.00 (432)	15.25 (387)	15.25 (387)	.080 (2)	.060 (2)	.105 (3)	Flat	.50 (13)	4	2.5 lbs	4 lbs	5.7 lbs
BP2412	21.00 (533)	9.00 (229)	19.25 (489)	7.25 (184)	.080 (2)	.060 (2)	.105 (3)	Flat	.50 (13)	4	1.5 lbs	5 lbs	8.7 lbs
BP2420	21.00 (533)	17.00 (432)	19.25 (489)	15.25 (387)	.13 (3)	.060 (2)	.105 (3)	Flat	.50 (13)	4	4.5 lbs	6 lbs	10.8 lbs
BP2424	21.00 (533)	21.00 (533)	19.25 (489)	19.25 (489)	.13 (3)	.060 (2)	.105 (3)	Flat	.50 (13)	4	5.5 lbs	7.4 lbs	13.4 lbs
BP3020	27.00 (686)	17.00 (432)	25.25 (641)	15.25 (387)	.13 (3)	.060 (2)	.105 (3)	Flat	.50 (13)	4	5.8 lbs	7.7 lbs	14 lbs
BP3024	27.00 (686)	21.00 (533)	25.25 (641)	19.25 (489)	.13 (3)	.060 (2)	.105 (3)	Flat	.50 (13)	4	7 lbs	9.6 lbs	17 lbs
BP3630	33.00 (838)	27.00 (686)	31.25 (794)	25.25 (641)	.13 (3)	.060 (2)	.105 (3)	Flat	.50 (13)	4	11 lbs	15.2 lbs	27 lbs
BP3636	31.00 (787)	33.00 (838)	29.00 (737)	31.00 (787)	.13 (3)	.060 (2)	.105 (3)	Formed	.50 (13)	6	14 lbs	18.5 lbs	33 lbs
BP4836	45.00 (1143)	33.00 (838)	43.25 (1099)	31.25 (794)	.13 (3)	.060 (2)	.105 (3)	Formed	.50 (13)	8	20 lbs	N/A	47 lbs
BP6036	57.00 (1448)	33.00 (838)	55.25 (1403)	31.25 (794)	.13 (3)	.105 (3)	.105 (3)	Formed	.50 (13)	8	25 lbs	N/A	60 lbs
BP7225	64.00 (1626)	21.00 (533)	62.00 (1575)	19.00 (483)	.13 (3)	.105 (3)	.105 (3)	Formed	.50 (13)	10	18.5 lbs	N/A	43 lbs
* BP7249	64.00 (1626)	22.00 (559)	62.00 (1575)	20.00 (508)	.13 (3)	.105 (3)	.105 (3)	Formed	.50 (13)	10	38 lbs	N/A	86 lbs
* BP7260	64.00 (1626)	27.50 (698)	62.00 (1575)	25.50 (648)	.13 (3)	.105 (3)	.105 (3)	Formed	.50 (13)	10	46 lbs	N/A	109 lbs

\* Set of two panels.

Caution: Metric units are for reference; do not convert.

Note: When specifying combine Size ID Number and Material Suffix

Example: BP1610CS for 16x10 Carbon Steel Back Panel