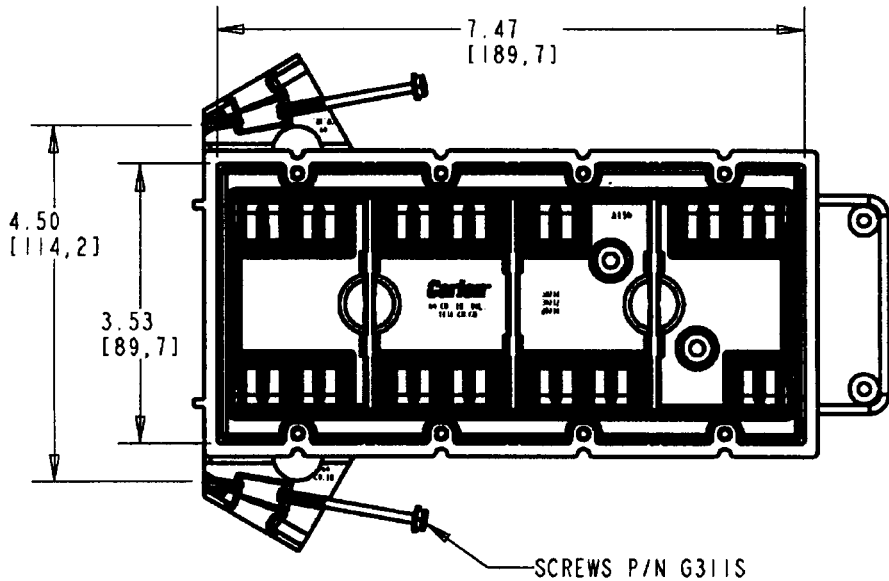
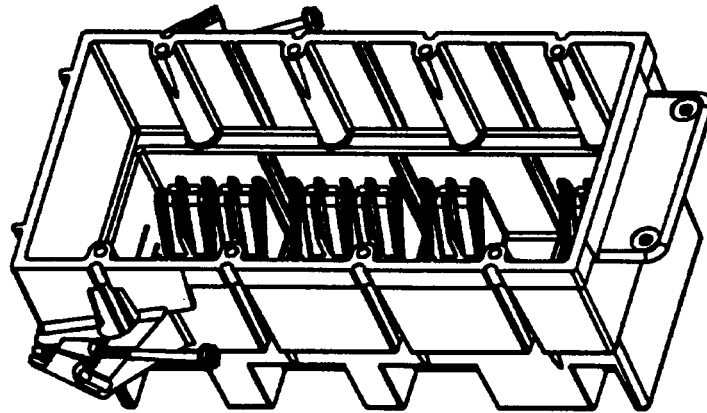
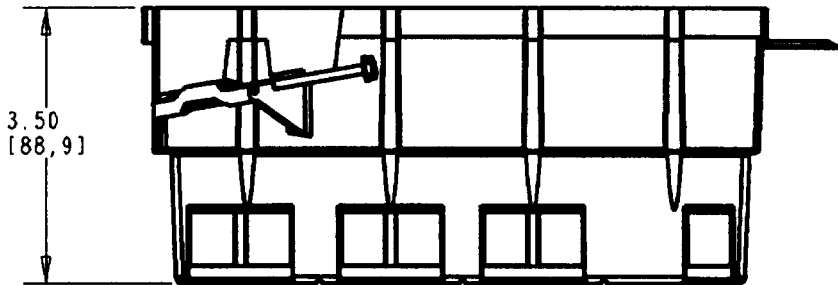


Carlton



BOX VOLUME = 69.0 CU. IN.
(1131 CU. CM.)

WIRE GA. / CONDUCTORS
34 / 14
30 / 12
27 / 10



P/N BH464S

GENERAL NOTES

1. ALL DIMENSIONS ARE FOR REFERENCE ONLY.
2. DIMENSIONS IN BRACKETS [] ARE IN METRIC UNITS.

REVISIONS

** SEE ERN (****) FOR APPROVAL SIGNATURES & RELEASE DATE.
PROJECT NO: ****

Thomas & Betts
www.tnb.com

DESCRIPTION:

**4 GANG SUPER BLUE
OUTLET & SWITCH BOX**

ORIGINAL PROJECT NO / (ERN NO)

/ ()

SHEET NO:

1 OF 2

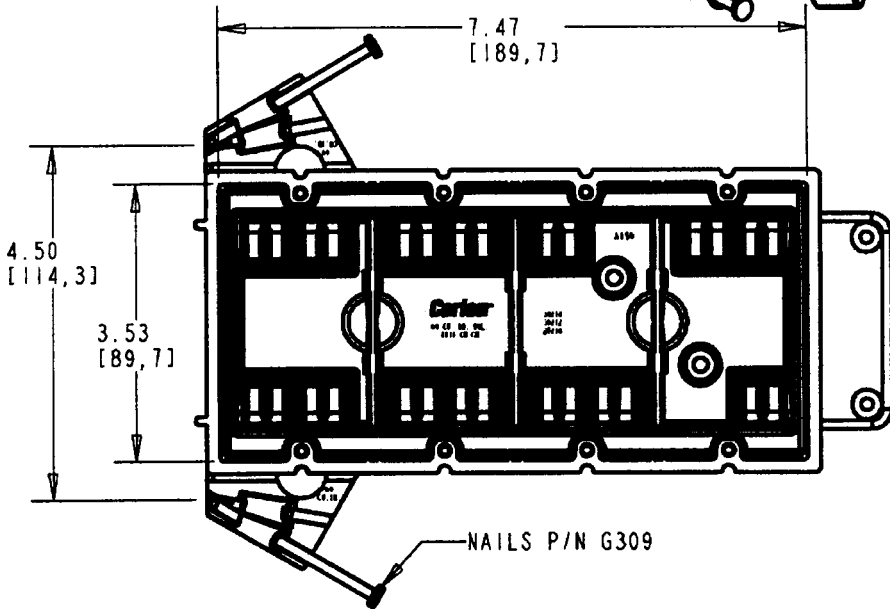
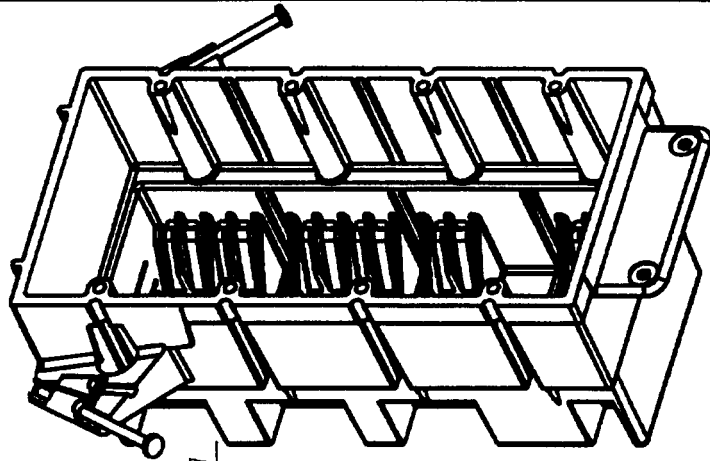
REV. NO:

C

DRAWING NO:

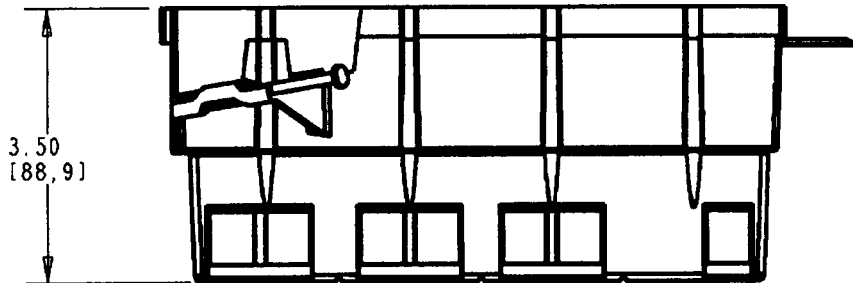
WSD-AC03646

Carlon



BOX VOLUME = 69.0 CU. IN.
(1131 CU. CM.)

WIRE GA. / CONDUCTORS
34 / 14
30 / 12
27 / 10



P/N BH464A

Thomas & Betts
www.tnb.com

DESCRIPTION:

**4 GANG SUPER BLUE
OUTLET & SWITCH BOX**

SHEET NO:

2 OF 2

REV. NO:

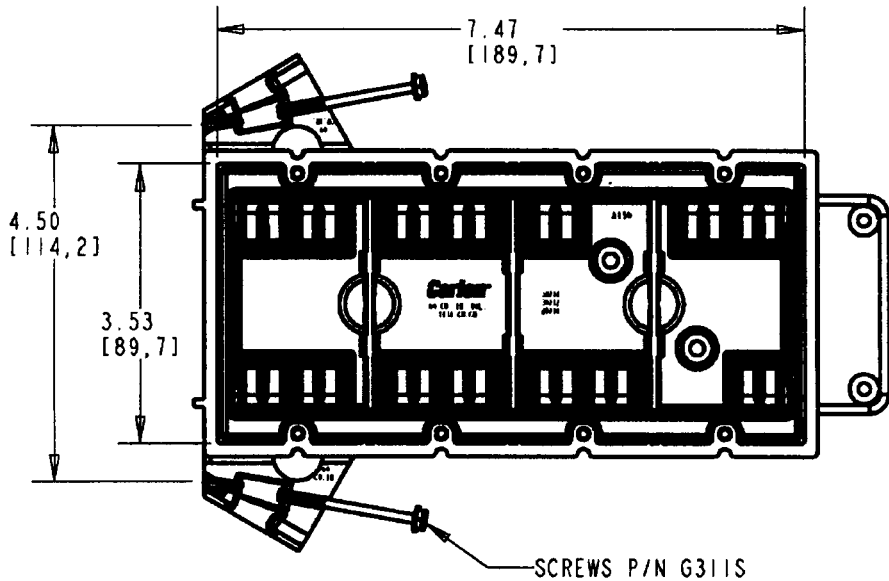
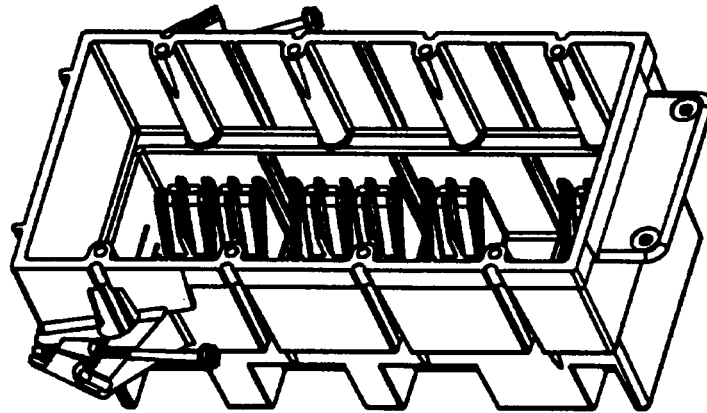
C

DRAWING NO:

WSD-AC03646

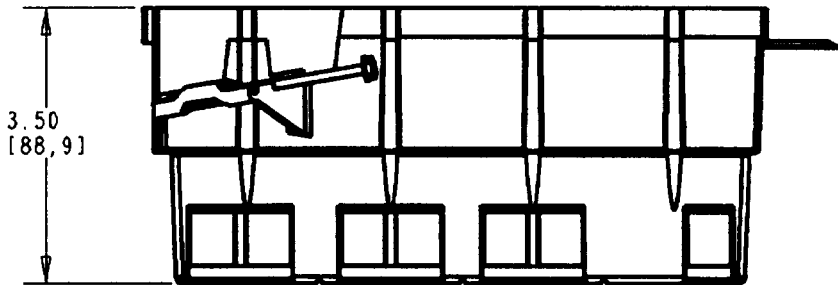
THIS DRAWING IS INTENDED FOR DESCRIPTIVE PURPOSES ONLY. AND THE RIGHT IS RESERVED TO DEVIATE FROM ANY OF THE DETAILS SHOWN HEREON.
©2008 Thomas & Betts - Proprietary, All Rights Reserved

Carlton



BOX VOLUME = 69.0 CU. IN.
(1131 CU. CM.)

WIRE GA. / CONDUCTORS
34 / 14
30 / 12
27 / 10



P/N BH464S

GENERAL NOTES

1. ALL DIMENSIONS ARE FOR REFERENCE ONLY.
2. DIMENSIONS IN BRACKETS [] ARE IN METRIC UNITS.

REVISIONS

** SEE ERN (****) FOR APPROVAL SIGNATURES & RELEASE DATE.
PROJECT NO: ****

Thomas & Betts
www.tnb.com

DESCRIPTION:

**4 GANG SUPER BLUE
OUTLET & SWITCH BOX**

ORIGINAL PROJECT NO / (ERN NO)

/ ()

SHEET NO:

1 OF 2

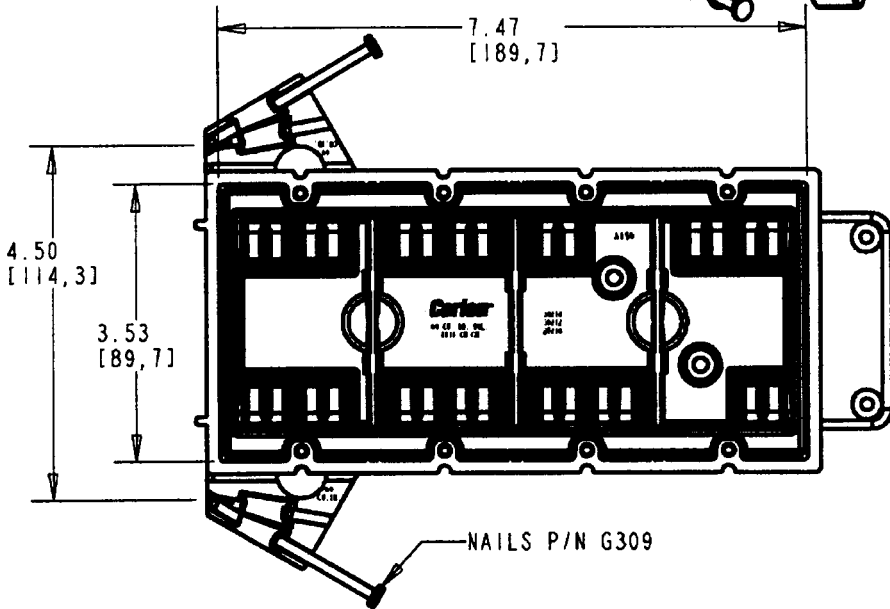
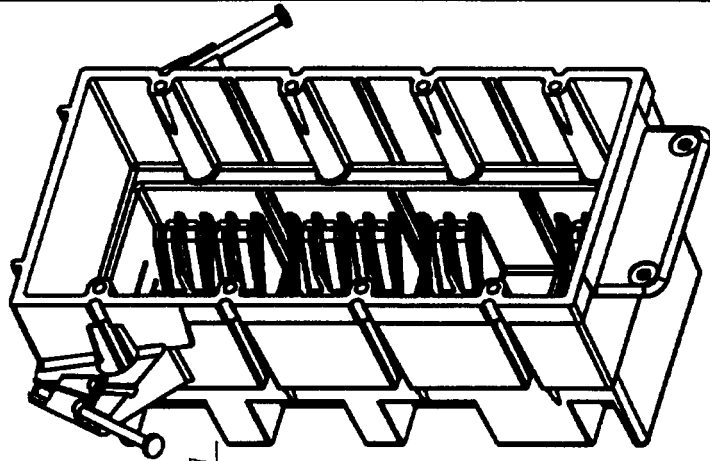
REV. NO:

C

DRAWING NO:

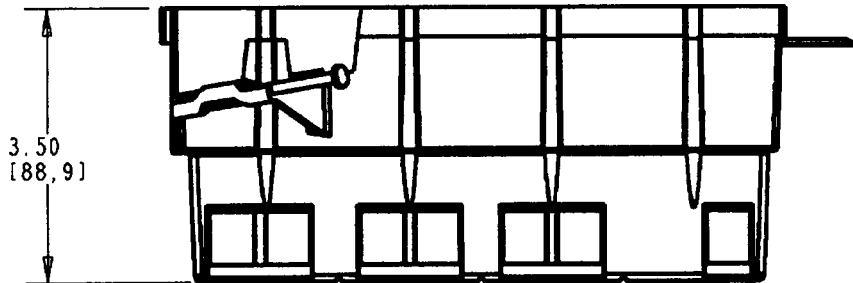
WSD-AC03646

Carlon



BOX VOLUME = 69.0 CU. IN.
(1131 CU. CM.)

WIRE GA. / CONDUCTORS
34 / 14
30 / 12
27 / 10



P/N BH464A

Thomas & Betts
www.tnb.com

DESCRIPTION:

**4 GANG SUPER BLUE
OUTLET & SWITCH BOX**

SHEET NO:

2 OF 2

REV. NO:

C

DRAWING NO:

WSD-AC03646

THIS DRAWING IS INTENDED FOR DESCRIPTIVE PURPOSES ONLY. AND THE RIGHT IS RESERVED TO DEVIATE FROM ANY OF THE DETAILS SHOWN HEREON.
©2008 Thomas & Betts - Proprietary, All Rights Reserved