

Overview

Finishes

1. Galv-Krom®

Commonly referred to as “gold,” the Galv-Krom® finish is a combination of .5 mils electro-plated zinc and a gold trivalent chromium finish, offering superior rust protection and excellent electrical conductivity.

2. SilverGalv® (Suffix EG)

Often referred to as “zinc plated” or “electroplated zinc,” the SilverGalv® finish applies .5 mils of zinc and a clear conversion coat. Electro-galvanizing is available for channel as well as small fittings, hardware and threaded products.

3. Pre-galvanized Steel (Suffix PG)

In addition to the standard Galv-Krom® finish, all Kindorf® channels are available in pre-galvanized steel. This material is identical to the standard steel except for its ASTM G-90 zinc coating. This coating is applied at the steel mill prior to the channel fabrication.

4. Green Coated (Suffix GR)

Green urethane powder resins are applied electrostatically to the steel after fabrication. Once the material is completely covered with the powdered-form urethane, it proceeds through a 400° baking process for ten minutes, creating a chemical bond. This results in a minimum of 1.5 mil thickness of urethane coating providing excellent resistance to chipping or peeling.

5. Hot-Dipped Galvanized (Suffix HD)

The material is zinc coated after fabrication providing total product protection on all surfaces. The fabricated channel or fitting is suspended and then dipped into tanks of hot zinc for a prolonged period, creating a coherent bond. The result is superior corrosion resistance as compared to pre-galvanized material. Hot-dipped galvanizing is not recommended for threaded products, considering the zinc coating thickness will often disrupt the threads.

Kindorf® hot-dipped galvanized channel is in conformance with ASTM Specifications A-123 (formerly A-386) and A-153.

Kindorf® channels maintain a minimum 1.5 ounces of zinc per square foot of steel or 2.5 mils (ASTM A-123, Thickness Grade 65). This finish is also referred to as “Hot-dipped galvanized after fabrication.”

6. PVC Coated (Prefix P)

A polyvinyl chloride (PVC) plastic coating is fused to the channel, fitting or accessory after fabrication by immersing the part in fluidized PVC tanks. The fused-melt mixed powder PVC coating thickness is 15 mils (.015”) plus or minus five mils. PVC material is a thermoplastic and will soften in high temperatures. An inherent weakness with PVC coatings occurs when field alterations are applied, such as cutting or drilling. These acts disrupt the sealed PVC product and warrant field touch-up. Thomas & Betts cannot be held responsible for field-altered PVC coated products.

Materials

1. Standard Steel

The standard Kindorf® Channel is made from high-quality ASTM A570 Grade 40 carbon steel sheet. These sections are cold formed into a unique and modular profile by an efficient roll forming process. Additionally, the process “cold works” the steel to give it greater mechanical properties.

2. Extruded Aluminum (Suffix AL)

For more corrosive environments, T&B also offers extruded aluminum channel sections. These section are nearly identical to their steel counterparts. Aluminum channel is made from 6063 Aluminum and heat treated to a T-6 specification.

3. Non-Metallic (Suffix N)

Kindorf® channels are also available in fiberglass-reinforced polyester and vinylester. These products are pultruded into shapes similar to steel channels. They offer a high degree of corrosion protection and are very lightweight.

4. Stainless Steel (Suffix SS)

For the most corrosive environments, T&B offers Type 304 Stainless Steel channel sections and accessories. Type 316 stainless available upon request. Contact your local sales rep. These products are identical to their carbon steel counterparts except for a much greater corrosion resistance.

Warning

Load tables, charts and design criteria provided in this catalog are intended as guides only. Selection of proper product, installation intervals, erection and placement are the responsibility of the user.

Kindorf® products are intended to be used for the support and bracing of fixtures, cable, pipe and conduit. Improper use or installation may result in injury to persons or damage to property.

Material and finish specifications are subject to change without notice.

Channels, Nuts and Fittings

Channels

Kindorf® channel is a rugged, heavy-gauge structural-quality steel channel preformed in a "U" shape with a continuous open slot the entire length. The turned-in edges serve as retaining points for the nut and bolt assembly of fittings to the channel. The shape of the channel permits infinite adjustability of the clamping nut simply by gliding it along the channel to the desired position. Spring-tensioned nuts are generally used for

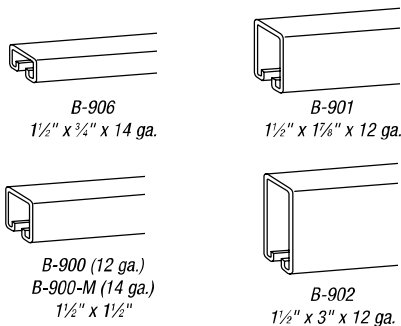
positioning overhead or in vertical channel installations. A stud nut (with spring) is provided for easy mounting of cabinets and equipment.

Channel Nuts are specially shaped as parallelograms with biting edges so that when tightened with normal pressure on the bolt, the nut clamps the sides of the channel together in a secure connection, which reinforces the rigidity of the channel itself. The nut rests on the "lips" of the channel slot.

Steel Channels

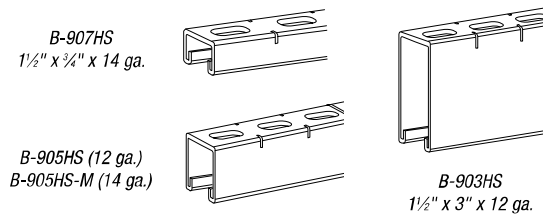
- Galv-Krom® finish
- 10 ft. and 20 ft. lengths

Solid Base



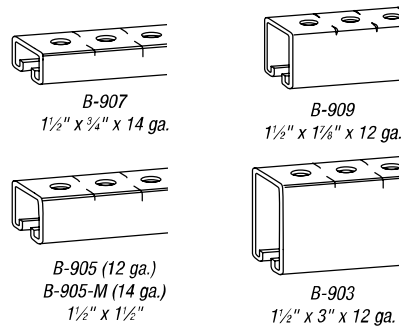
Half-Slot Base

- 1/16" x 7/8" slots on 1 1/2" centers 3/4" from end



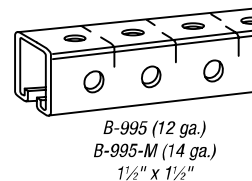
Bolt Hole Base

- 1/16" diameter bolt holes on 1 1/2" centers 3/4" from end

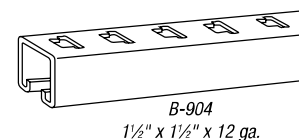


Bolt Hole Base

- Bolt holes on 3 sides, 1/16" diameter on 1 1/2" centers 3/4" from end

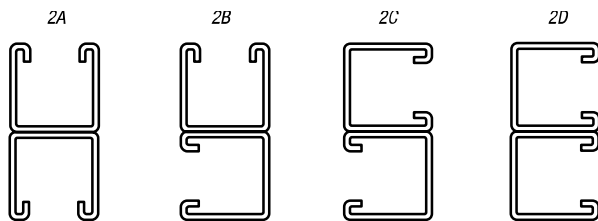


T-Slot Base

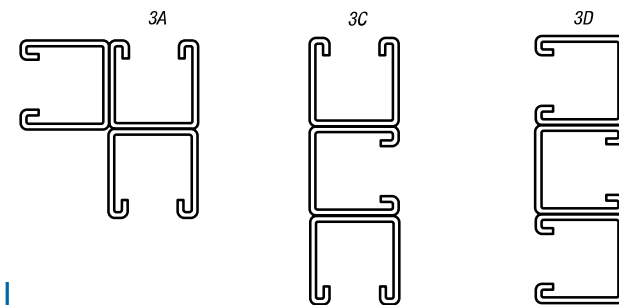


Kindorf® Channels — Combination Channels

All Kindorf® channels are available in a variety of combinations — some are shown below.



How To Order
 Add the suffix designation of the desired combination to the regular channel catalog number.
 (Example: Two B-900 channels back to back are ordered as B-900-2A.)



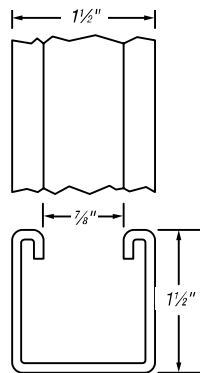
10- and 20-ft. lengths — steel

Special lengths may be ordered.

Channels, Nuts and Fittings

B-900 Channel — 1½" x 1½"

Connection by means of continuous slot.



Properties of Section

CAT. NO.	SECTIONAL AREA	MATERIAL THICKNESS	LBS./FT.
B-900	.345	.104	1.206
B-900-M	.217	.074	.74

X-X AXIS

I	S	R
.101	.123	.535
.018	.163	.272

Y-Y-AXIS

I	S	R
.129	.175	.603
.077	.105	.559



CAT. NO.	DESCRIPTION	MATERIAL
B-900-10	Galv-Krom®	12 ga.
B-900-20	Galv-Krom®	12 ga.
B-900-M-10	Galv-Krom®	14 ga.
B-900-M-20	Galv-Krom®	14 ga.
B-900-10-EG	SilverGalv®	12 ga.
B-900-20-EG	SilverGalv®	12 ga.
B-900-M-10-EG	SilverGalv®	14 ga.
B-900-M-20-EG	SilverGalv®	14 ga.

Use H-113-B bolts and B-910-1/2 or B-911-1/2 steel nuts for mounting fittings.

B-900, 162 lbs./C ft. B-900-M, 107 lbs./C ft.

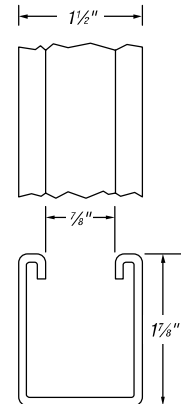
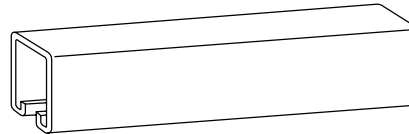
CAT. NO.	DESCRIPTION	JOINER	END CAPS
B-900	12 ga. Galv-Krom®	—	—
B-900-M	14 ga. Galv-Krom®	—	—
B-900-10GR	Green powder coated	—	—
B-900-20GR	Green powder coated	G978	—
B-900-10PG	Pre-galvanized	G978A	G967
B-900-20PG	Pre-galvanized	G1503S	—
B-900-10HD	Hot-dipped galvanized	—	—
B-900-20HD	Hot-dipped galvanized	—	—

Use H-113-B bolts and B-910-1/2 or B-911-1/2 steel nuts for mounting fittings.

B-900, 162 lbs./C ft. B-900-M, 107 lbs./C ft.

B-901 Channel — 1½" x 1⅞"

For heavier load requirements.
Connection by means of continuous slot.



Properties of Section

CAT. NO.	SECTIONAL AREA	MATERIAL THICKNESS	LBS./FT.
B-901	.595	.104	2.028

X-X AXIS

I	S	R
.263	.251	.665

Y-Y-AXIS

I	S	R
.238	.309	.632



CAT. NO.	DESCRIPTION	MATERIAL
B-901-10	Galv-Krom®	12 ga.
B-901-20	Galv-Krom®	12 ga.
B-901-10-EG	SilverGalv®	12 ga.
B-901-20-EG	SilverGalv®	12 ga.

Use H-113-B bolts and B-910-½" or B-911-½" steel nuts for mounting fittings. 196 lbs./C ft.

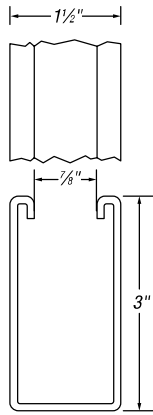
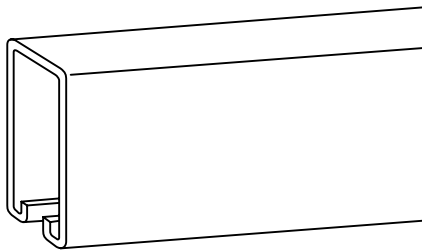
CAT. NO.	DESCRIPTION	JOINER	END CAPS
B-901	12 ga. Galv-Krom®	G978C	G-966
B-901HD	Hot-dipped galvanized	—	—

Use H-113-B bolts and B-910-½" or B-911-½" steel nuts for mounting fittings. 196 lbs./C ft.

Channels, Nuts and Fittings

B-902 Channel — 1½" x 3"

Connection by means of continuous slot.



Properties of Section

CAT. NO.	SECTIONAL AREA	MATERIAL THICKNESS	LBS./FT.
B-902	.837	.104	2.825

X-X AXIS			Y-Y AXIS		
I	S	R	I	S	R
.909	.552	1.042	.363	.471	.658



CAT. NO.	DESCRIPTION	MATERIAL
B 902 10	Galv-Krom®	12 ga.
B-902-20	Galv-Krom®	12 ga.
B-902-10-EG	SilverGalv®	12 ga.
B-902-20-EG	SilverGalv®	12 ga.

Use H-113-B bolts and B-910-1/2 steel nuts for mounting fittings.

285 lbs./C ft.



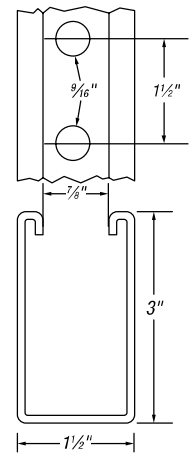
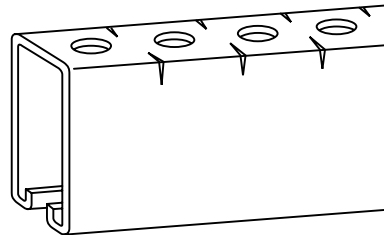
CAT. NO.	DESCRIPTION	JOINER	END CAP
B-902-10	12 ga. Galv-Krom®	—	—
B-902-20	12 ga. Galv-Krom®	G978-D	G957
B-902-10HD	Hot-dipped galvanized	G-3003S	—
B-902-20HD	Hot-dipped galvanized	—	—

Use H-113-B bolts and B-910-1/2 steel nuts for mounting fittings.

285 lbs./C ft.

B-903 Channel — 1½" x 3"

Connection by means of continuous slot or 9/16" holes on 1½" centers.



CAT. NO.	DESCRIPTION	MATERIAL
B-903-10	Galv-Krom®	12 ga.
B-903-20	Galv-Krom®	12 ga.
B-903-10-EG	SilverGalv®	12 ga.
B-903-20-EG	SilverGalv®	12 ga.

Use H-113-B bolts and B-910-1/2 steel nuts for mounting fittings.

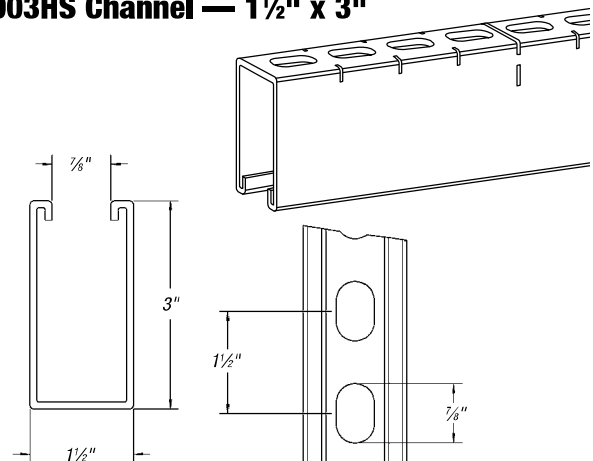
277 lbs./C ft.

CAT. NO.	DESCRIPTION	JOINER	END CAP
B-903	12 ga. Galv-Krom®	G978-D	—
B-903HD	Hot-Dipped Galvanized	G3003S	—

Use H-113-B bolts and B-910-1/2 steel nuts for mounting fittings.

277 lbs./C ft.

B-903HS Channel — 1½" x 3"



CAT. NO.	DESCRIPTION	MATERIAL
B 903HS 10	Galv-Krom®	12 ga.
B-903HS-20	Galv-Krom®	12 ga.
B-903HS-10-EG	SilverGalv®	12 ga.
B-903HS-20-EG	SilverGalv®	12 ga.

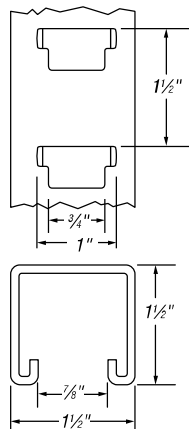
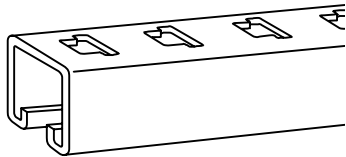
Use H-113-B bolts and B-910-1/2 steel nuts for mounting fittings.

277 lbs./C ft.

Channels, Nuts and Fittings

B-904 Channel — 1½" x 1½"

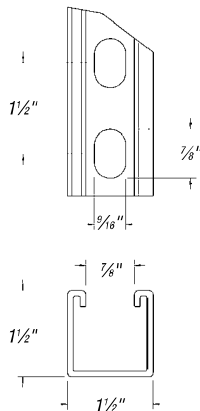
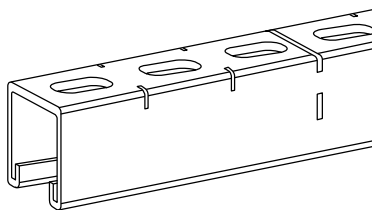
Connection by means of continuous slot or T-slots on 1½" centers in base side of channel.



CAT. NO.	DESCRIPTION
B-904 10	12 ga. Galv-Krom®
B-904HD	Hot-Dipped Galvanized

For attachment to continuous slot use H-113-B bolts and B-910-1/2 steel nuts.
For attachment to T-slots use F-739 brackets 155 lbs./C ft.

B-905HS Channel — 1½" x 1½"



CAT. NO.	DESCRIPTION	MATERIAL
B 905HS 10	Galv-Krom®	12 ga.
B-905HS-20	Galv-Krom®	12 ga.
B-905HS-M-10	Galv-Krom®	14 ga.
B-905HS-M-20	Galv-Krom®	14 ga.
B-905HS-10-EG	SilverGalv®	12 ga.
B-905HS-20-EG	SilverGalv®	12 ga.
B-905HS-M-10-EG	SilverGalv®	14 ga.
B-905HS-M-20-EG	SilverGalv®	14 ga.

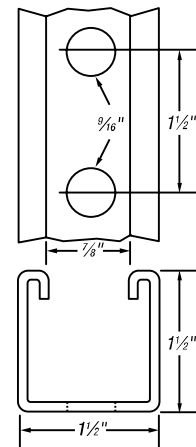
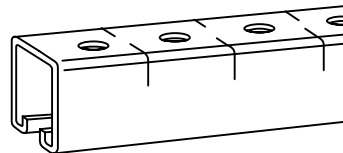
Use H-113-B bolts and B-910-1/2 or B-911-1/2 steel nuts for mounting fittings.

Scribe marks designate midpoint between holes for accurate field cutting.

B-905, 158 lbs./C ft. B-905-M, 102 lbs./C ft.

B-905 Channel — 1½" x 1½"

Connection by means of continuous slot or 9/16" holes on 1½" centers that match holes in B-900 series fittings.



CAT. NO.	DESCRIPTION	MATERIAL
B 905 10	Galv-Krom®	12 ga.
B-905-20	Galv-Krom®	12 ga.
B-905-M-10	Galv-Krom®	14 ga.
B-905-M-20	Galv-Krom®	14 ga.
B-905-10-EG	SilverGalv®	12 ga.
B-905-20-EG	SilverGalv®	12 ga.
B-905-M-10-EG	SilverGalv®	14 ga.
B-905-M-20-EG	SilverGalv®	14 ga.

Use H-113-B bolts and B-910-1/2 or B-911-1/2 steel nuts for mounting fittings.

Scribe marks designate midpoint between holes for accurate field cutting.

B-905, 158 lbs./C ft. B-905-M, 102 lbs./C ft.

CAT. NO.	DESCRIPTION	JOINER	END CAP
B-905	12 ga. Galv-Krom®	—	—
B-905-M	14 ga. Galv-Krom®	—	—
B-905-10GR	Green Coated	—	—
B-905-20GR	Green Coated	—	—
B-905-10PG	Pre-Galvanized	—	—
B-905-20PG	Pre-Galvanized	—	—
B-905-10HD	Hot-Dipped Galvanized	—	—
B-905-20HD	Hot-Dipped Galvanized	—	—

Use H-113-B bolts and B-910-1/2 or B-911-1/2 steel nuts for mounting fittings.

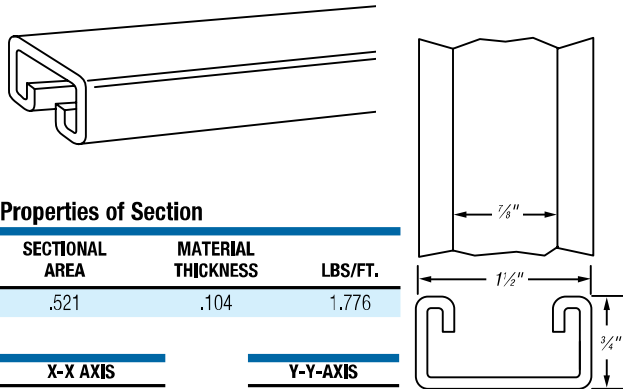
Scribe marks designate midpoint between holes for accurate field cutting.

B-905, 158 lbs./C ft. B-905-M, 102 lbs./C ft.

Channels, Nuts and Fittings

B-906 Channel — 1½" x ¾"

Connection by means of continuous slot.



Properties of Section

SECTIONAL AREA	MATERIAL THICKNESS	LBS./FT.
.521	.104	1.776

X-X AXIS

I	S	R
.155	.088	.545

Y-Y-AXIS

I	S	R
.2	.259	.619

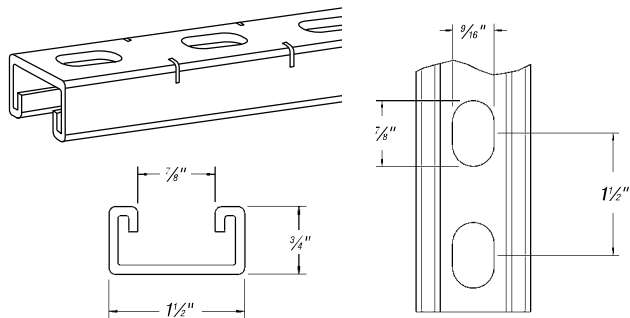


CAT. NO.	DESCRIPTION	MATERIAL
B 906 10	Galv-Krom®	14 ga.
B-906-20	Galv-Krom®	14 ga.
B-906-10-EG	SilverGalv®	14 ga.
B-906-20-EG	SilverGalv®	14 ga.

Use H-113-A bolts and B-910-½" or B-912-½" steel nuts for mounting fittings.

Steel 75 lbs./C ft.

B-907HS Channel — 1½" x ¾"



CAT. NO.	DESCRIPTION	MATERIAL
B 907HS 10	Galv-Krom®	14 ga.
B-907HS-20	Galv-Krom®	14 ga.
B-907HS-10-EG	SilverGalv®	14 ga.
B-907HS-20-EG	SilverGalv®	14 ga.

Use H-113-A bolts and B-910-½" or B-912-½" steel nuts for mounting fittings.

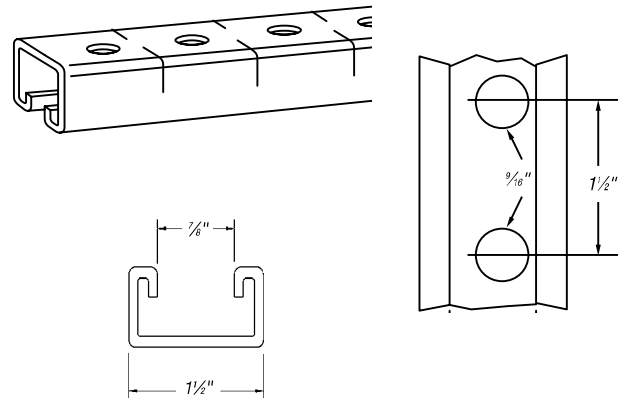
Holes on B-900 series fittings match channel holes.

Scribe marks on steel channel designate midpoint between holes for accurate field cutting.

Steel 71 lbs./C ft.

B-907 Channel — 1½" x ¾"

Connection by means of continuous slot or 9/16" holes on 1½" centers.



CAT. NO.	DESCRIPTION	MATERIAL
B-907-10	Galv-Krom®	14 ga.
B-907-20	Galv-Krom®	14 ga.
B-907-10-EG	SilverGalv®	14 ga.
B-907-20-EG	SilverGalv®	14 ga.

Use H-113-A bolts and B-910-½" or B-912-½" steel nuts for mounting fittings.

Holes on B-900 series fittings match channel holes.

Scribe marks on steel channel designate midpoint between holes for accurate field cutting.

Steel 71 lbs./C ft.



CAT. NO.	DESCRIPTION	JOINER
B-907	14 ga. Galv-Krom	B948
B-907-10GR	Green Coated	B948
B-907-20GR	Green Coated	B948
B-907-10PG	Pre-Galvanized	B948
B-907-20PG	Pre-Galvanized	B948
B-907-10HD	Hot-Dipped Galvanized	B948
B-907-20HD	Hot-Dipped Galvanized	B948

Use H-113-A bolts and B-910-½" or B-912-½" steel nuts for mounting fittings.

Holes on B-900 series fittings match channel holes.

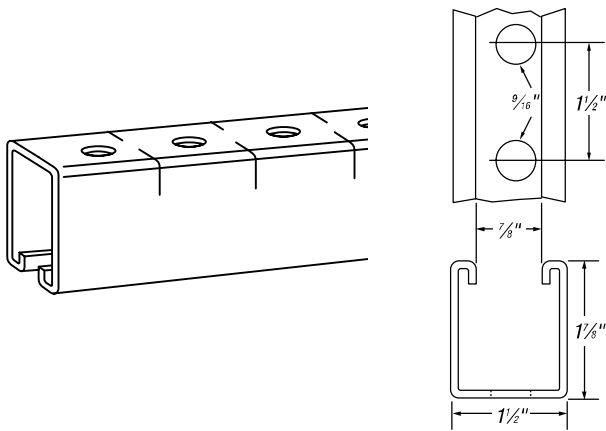
Scribe marks on steel channel designate midpoint between holes for accurate field cutting.

Steel 71 lbs./C ft.

Channels, Nuts and Fittings

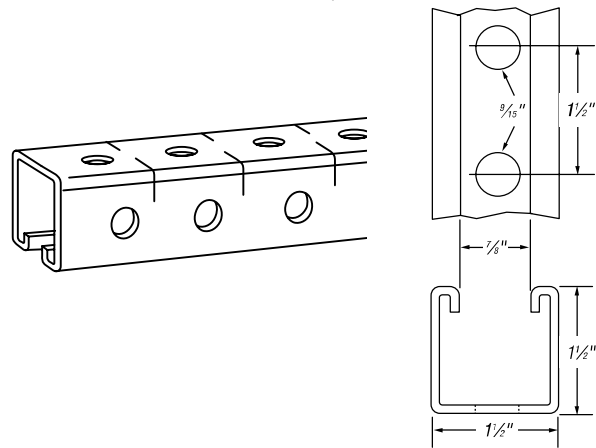
B-909 Channel — 1½" x 1⅞"

For heavier load requirements. Connection by means of continuous slot or ⅜" holes on 1½" centers.



B-995 Channel — 1½" x 1½"

Connection by means of continuous slot or ⅜" holes on 1½" centers on three sides which match holes in B-900 series fittings.



CAT. NO.	DESCRIPTION	MATERIAL
B 909 10	Galv-Krom®	12 ga.
B-909-20	Galv-Krom®	12 ga.
B-909-10-EG	SilverGalv®	12 ga.
B-909-20-EG	SilverGalv®	12 ga.

Use H-113-B bolts and B-910-½" or B-911-½" steel nuts for mounting fittings.
118 lbs./C ft.

CAT. NO.	DESCRIPTION	JOINER
B-909	12 ga. Galv-Krom	G978-C
B-909HD	Hot-Dipped Galvanized	G978-C

Use H-113-B bolts and B-910-½" or B-911-½" steel nuts for mounting fittings.
118 lbs./C ft.

CAT. NO.	DESCRIPTION	MATERIAL
B 995 10	Galv-Krom®	12 ga.
B-995-20	Galv-Krom®	12 ga.
B-995-M-10	Galv-Krom®	14 ga.
B-995-M-20	Galv-Krom®	14 ga.
B-995-10-EG	SilverGalv®	12 ga.
B-995-20-EG	SilverGalv®	12 ga.
B-995-M-10-EG	SilverGalv®	14 ga.
B-995-M-20-EG	SilverGalv®	14 ga.

Use H-113-B bolts and B-910-½" or B-911-½" steel nuts for mounting fittings.

150 lbs./C ft. Scribe marks designate midpoint between holes for accurate field cutting.
Standard 10 ft. lengths

Overview

Finishes

1. Galv-Krom®

Commonly referred to as “gold,” the Galv-Krom® finish is a combination of .5 mils electro-plated zinc and a gold trivalent chromium finish, offering superior rust protection and excellent electrical conductivity.

2. SilverGalv® (Suffix EG)

Often referred to as “zinc plated” or “electroplated zinc,” the SilverGalv® finish applies .5 mils of zinc and a clear conversion coat. Electro-galvanizing is available for channel as well as small fittings, hardware and threaded products.

3. Pre-galvanized Steel (Suffix PG)

In addition to the standard Galv-Krom® finish, all Kindorf® channels are available in pre-galvanized steel. This material is identical to the standard steel except for its ASTM G-90 zinc coating. This coating is applied at the steel mill prior to the channel fabrication.

4. Green Coated (Suffix GR)

Green urethane powder resins are applied electrostatically to the steel after fabrication. Once the material is completely covered with the powdered-form urethane, it proceeds through a 400° baking process for ten minutes, creating a chemical bond. This results in a minimum of 1.5 mil thickness of urethane coating providing excellent resistance to chipping or peeling.

5. Hot-Dipped Galvanized (Suffix HD)

The material is zinc coated after fabrication providing total product protection on all surfaces. The fabricated channel or fitting is suspended and then dipped into tanks of hot zinc for a prolonged period, creating a coherent bond. The result is superior corrosion resistance as compared to pre-galvanized material. Hot-dipped galvanizing is not recommended for threaded products, considering the zinc coating thickness will often disrupt the threads.

Kindorf® hot-dipped galvanized channel is in conformance with ASTM Specifications A-123 (formerly A-386) and A-153.

Kindorf® channels maintain a minimum 1.5 ounces of zinc per square foot of steel or 2.5 mils (ASTM A-123, Thickness Grade 65). This finish is also referred to as “Hot-dipped galvanized after fabrication.”

6. PVC Coated (Prefix P)

A polyvinyl chloride (PVC) plastic coating is fused to the channel, fitting or accessory after fabrication by immersing the part in fluidized PVC tanks. The fused-melt mixed powder PVC coating thickness is 15 mils (.015”) plus or minus five mils. PVC material is a thermoplastic and will soften in high temperatures. An inherent weakness with PVC coatings occurs when field alterations are applied, such as cutting or drilling. These acts disrupt the sealed PVC product and warrant field touch-up. Thomas & Betts cannot be held responsible for field-altered PVC coated products.

Materials

1. Standard Steel

The standard Kindorf® Channel is made from high-quality ASTM A570 Grade 40 carbon steel sheet. These sections are cold formed into a unique and modular profile by an efficient roll forming process. Additionally, the process “cold works” the steel to give it greater mechanical properties.

2. Extruded Aluminum (Suffix AL)

For more corrosive environments, T&B also offers extruded aluminum channel sections. These section are nearly identical to their steel counterparts. Aluminum channel is made from 6063 Aluminum and heat treated to a T-6 specification.

3. Non-Metallic (Suffix N)

Kindorf® channels are also available in fiberglass-reinforced polyester and vinylester. These products are pultruded into shapes similar to steel channels. They offer a high degree of corrosion protection and are very lightweight.

4. Stainless Steel (Suffix SS)

For the most corrosive environments, T&B offers Type 304 Stainless Steel channel sections and accessories. Type 316 stainless available upon request. Contact your local sales rep. These products are identical to their carbon steel counterparts except for a much greater corrosion resistance.

Warning

Load tables, charts and design criteria provided in this catalog are intended as guides only. Selection of proper product, installation intervals, erection and placement are the responsibility of the user.

Kindorf® products are intended to be used for the support and bracing of fixtures, cable, pipe and conduit. Improper use or installation may result in injury to persons or damage to property.

Material and finish specifications are subject to change without notice.

Channels, Nuts and Fittings

Channels

Kindorf® channel is a rugged, heavy-gauge structural-quality steel channel preformed in a "U" shape with a continuous open slot the entire length. The turned-in edges serve as retaining points for the nut and bolt assembly of fittings to the channel. The shape of the channel permits infinite adjustability of the clamping nut simply by gliding it along the channel to the desired position. Spring-tensioned nuts are generally used for

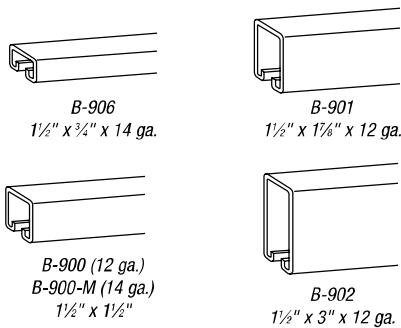
positioning overhead or in vertical channel installations. A stud nut (with spring) is provided for easy mounting of cabinets and equipment.

Channel Nuts are specially shaped as parallelograms with biting edges so that when tightened with normal pressure on the bolt, the nut clamps the sides of the channel together in a secure connection, which reinforces the rigidity of the channel itself. The nut rests on the "lips" of the channel slot.

Steel Channels

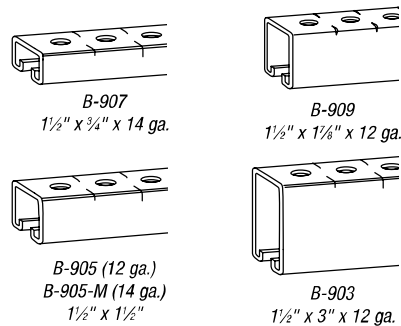
- Galv-Krom® finish
- 10 ft. and 20 ft. lengths

Solid Base



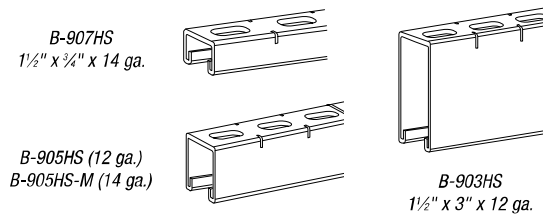
Bolt Hole Base

- 1/16" diameter bolt holes on 1 1/2" centers 3/4" from end



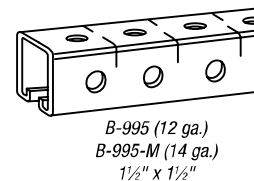
Half-Slot Base

- 1/16" x 7/8" slots on 1 1/2" centers 3/4" from end

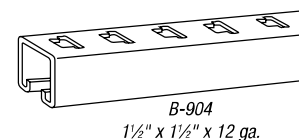


Bolt Hole Base

- Bolt holes on 3 sides, 1/16" diameter on 1 1/2" centers 3/4" from end

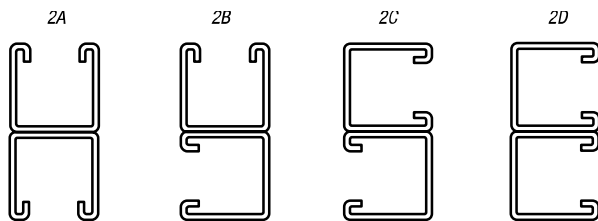


T-Slot Base



Kindorf® Channels — Combination Channels

All Kindorf® channels are available in a variety of combinations — some are shown below.

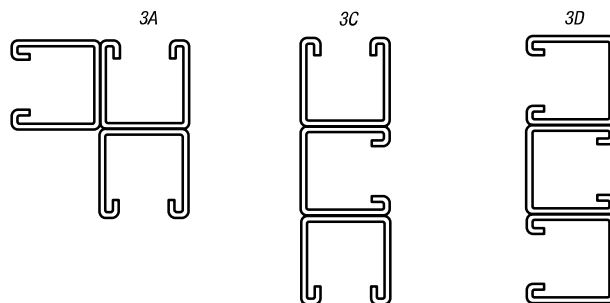


10- and 20-ft. lengths — steel

How To Order

Add the suffix designation of the desired combination to the regular channel catalog number.

(Example: Two B-900 channels back to back are ordered as B-900-2A.)

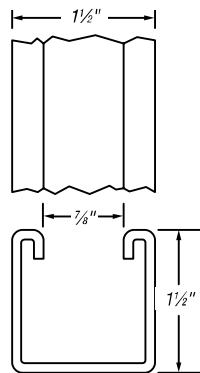


Special lengths may be ordered.

Channels, Nuts and Fittings

B-900 Channel — 1½" x 1½"

Connection by means of continuous slot.



Properties of Section

CAT. NO.	SECTIONAL AREA	MATERIAL THICKNESS	LBS./FT.
B-900	.345	.104	1.206
B-900-M	.217	.074	.74

X-X AXIS

I	S	R
.101	.123	.535
.018	.163	.272

Y-Y-AXIS

I	S	R
.129	.175	.603
.077	.105	.559



CAT. NO.	DESCRIPTION	MATERIAL
B-900-10	Galv-Krom®	12 ga.
B-900-20	Galv-Krom®	12 ga.
B-900-M-10	Galv-Krom®	14 ga.
B-900-M-20	Galv-Krom®	14 ga.
B-900-10-EG	SilverGal®	12 ga.
B-900-20-EG	SilverGal®	12 ga.
B-900-M-10-EG	SilverGal®	14 ga.
B-900-M-20-EG	SilverGal®	14 ga.

Use H-113-B bolts and B-910-1/2 or B-911-1/2 steel nuts for mounting fittings.

B-900, 162 lbs./C ft. B-900-M, 107 lbs./C ft.

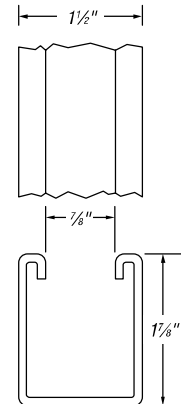
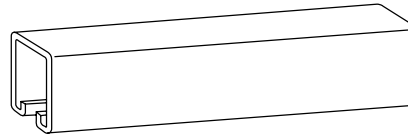
CAT. NO.	DESCRIPTION	JOINER	END CAPS
B-900	12 ga. Galv-Krom®	—	—
B-900-M	14 ga. Galv-Krom®	—	—
B-900-10GR	Green powder coated	—	—
B-900-20GR	Green powder coated	G978	—
B-900-10PG	Pre-galvanized	G978A	G967
B-900-20PG	Pre-galvanized	G1503S	—
B-900-10HD	Hot-dipped galvanized	—	—
B-900-20HD	Hot-dipped galvanized	—	—

Use H-113-B bolts and B-910-1/2 or B-911-1/2 steel nuts for mounting fittings.

B-900, 162 lbs./C ft. B-900-M, 107 lbs./C ft.

B-901 Channel — 1½" x 1⅞"

For heavier load requirements.
Connection by means of continuous slot.



Properties of Section

CAT. NO.	SECTIONAL AREA	MATERIAL THICKNESS	LBS./FT.
B-901	.595	.104	2.028

X-X AXIS

I	S	R
.263	.251	.665

Y-Y-AXIS

I	S	R
.238	.309	.632



CAT. NO.	DESCRIPTION	MATERIAL
B-901-10	Galv-Krom®	12 ga.
B-901-20	Galv-Krom®	12 ga.
B-901-10-EG	SilverGal®	12 ga.
B-901-20-EG	SilverGal®	12 ga.

Use H-113-B bolts and B-910-½" or B-911-½" steel nuts for mounting fittings. 196 lbs./C ft.

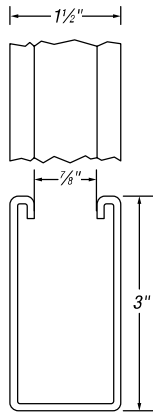
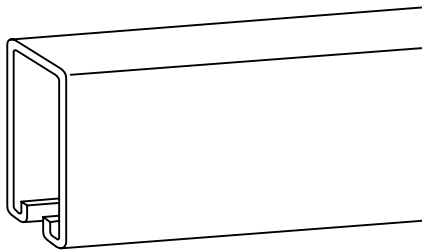
CAT. NO.	DESCRIPTION	JOINER	END CAPS
B-901	12 ga. Galv-Krom®	G978C	G-966
B-901HD	Hot-dipped galvanized	—	—

Use H-113-B bolts and B-910-½" or B-911-½" steel nuts for mounting fittings. 196 lbs./C ft.

Channels, Nuts and Fittings

B-902 Channel — 1½" x 3"

Connection by means of continuous slot.



Properties of Section

CAT. NO.	SECTIONAL AREA	MATERIAL THICKNESS	LBS./FT.
B-902	.837	.104	2.825

X-X AXIS			Y-Y AXIS		
I	S	R	I	S	R
.909	.552	1.042	.363	.471	.658



CAT. NO.	DESCRIPTION	MATERIAL
B 902 10	Galv-Krom®	12 ga.
B-902-20	Galv-Krom®	12 ga.
B-902-10-EG	SilverGalv®	12 ga.
B-902-20-EG	SilverGalv®	12 ga.

Use H-113-B bolts and B-910-1/2 steel nuts for mounting fittings.
285 lbs./C ft.

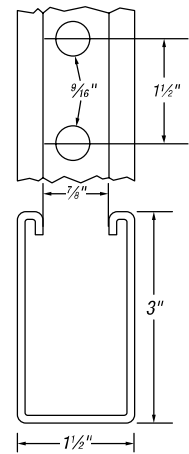
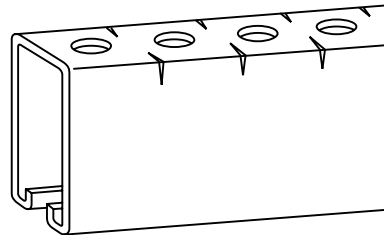


CAT. NO.	DESCRIPTION	JOINER	END CAP
B-902-10	12 ga. Galv-Krom®	—	—
B-902-20	12 ga. Galv-Krom®	G978-D	G957
B-902-10HD	Hot-dipped galvanized	G-3003S	—
B-902-20HD	Hot-dipped galvanized	—	—

Use H-113-B bolts and B-910-1/2 steel nuts for mounting fittings.
285 lbs./C ft.

B-903 Channel — 1½" x 3"

Connection by means of continuous slot or 9/16" holes on 1½" centers.



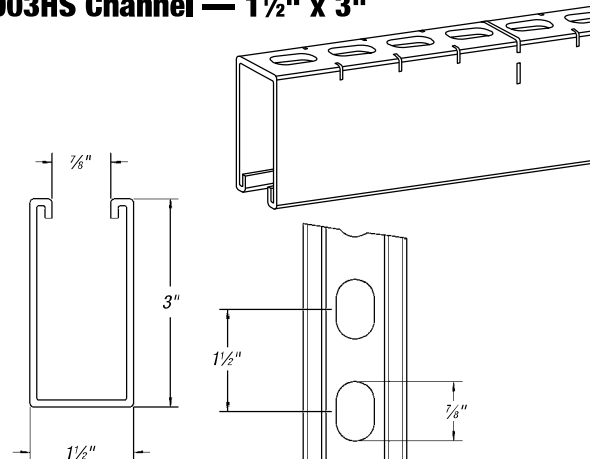
CAT. NO.	DESCRIPTION	MATERIAL
B-903-10	Galv-Krom®	12 ga.
B-903-20	Galv-Krom®	12 ga.
B-903-10-EG	SilverGalv®	12 ga.
B-903-20-EG	SilverGalv®	12 ga.

Use H-113-B bolts and B-910-1/2 steel nuts for mounting fittings.
277 lbs./C ft.

CAT. NO.	DESCRIPTION	JOINER	END CAP
B-903	12 ga. Galv-Krom®	G978-D	—
B-903HD	Hot-Dipped Galvanized	G3003S	—

Use H-113-B bolts and B-910-1/2 steel nuts for mounting fittings.
277 lbs./C ft.

B-903HS Channel — 1½" x 3"



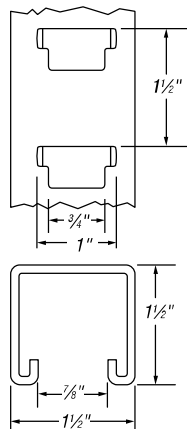
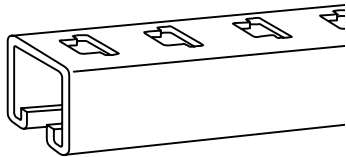
CAT. NO.	DESCRIPTION	MATERIAL
B 903HS 10	Galv-Krom®	12 ga.
B-903HS-20	Galv-Krom®	12 ga.
B-903HS-10-EG	SilverGalv®	12 ga.
B-903HS-20-EG	SilverGalv®	12 ga.

Use H-113-B bolts and B-910-1/2 steel nuts for mounting fittings.
277 lbs./C ft.

Channels, Nuts and Fittings

B-904 Channel — 1½" x 1½"

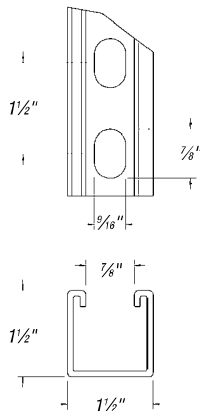
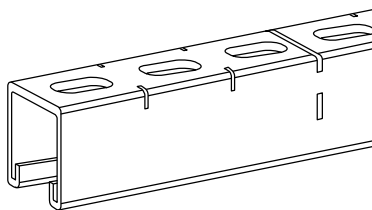
Connection by means of continuous slot or T-slots on 1½" centers in base side of channel.



CAT. NO.	DESCRIPTION
B-904 10	12 ga. Galv-Krom®
B-904HD	Hot-Dipped Galvanized

For attachment to continuous slot use H-113-B bolts and B-910-1/2 steel nuts.
For attachment to T-slots use F-739 brackets 155 lbs./C ft.

B-905HS Channel — 1½" x 1½"



CAT. NO.	DESCRIPTION	MATERIAL
B 905HS 10	Galv-Krom®	12 ga.
B-905HS-20	Galv-Krom®	12 ga.
B-905HS-M-10	Galv-Krom®	14 ga.
B-905HS-M-20	Galv-Krom®	14 ga.
B-905HS-10-EG	SilverGalv®	12 ga.
B-905HS-20-EG	SilverGalv®	12 ga.
B-905HS-M-10-EG	SilverGalv®	14 ga.
B-905HS-M-20-EG	SilverGalv®	14 ga.

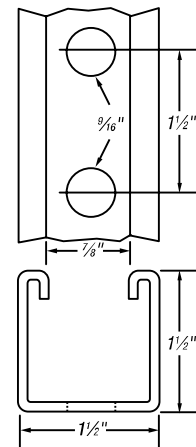
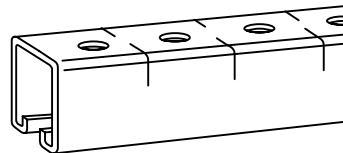
Use H-113-B bolts and B-910-1/2 or B-911-1/2 steel nuts for mounting fittings.

Scribe marks designate midpoint between holes for accurate field cutting.

B-905, 158 lbs./C ft. B-905-M, 102 lbs./C ft.

B-905 Channel — 1½" x 1½"

Connection by means of continuous slot or 9/16" holes on 1½" centers that match holes in B-900 series fittings.



CAT. NO.	DESCRIPTION	MATERIAL
B 905 10	Galv-Krom®	12 ga.
B-905-20	Galv-Krom®	12 ga.
B-905-M-10	Galv-Krom®	14 ga.
B-905-M-20	Galv-Krom®	14 ga.
B-905-10-EG	SilverGalv®	12 ga.
B-905-20-EG	SilverGalv®	12 ga.
B-905-M-10-EG	SilverGalv®	14 ga.
B-905-M-20-EG	SilverGalv®	14 ga.

Use H-113-B bolts and B-910-1/2 or B-911-1/2 steel nuts for mounting fittings.

Scribe marks designate midpoint between holes for accurate field cutting.

B-905, 158 lbs./C ft. B-905-M, 102 lbs./C ft.

CAT. NO.	DESCRIPTION	JOINER	END CAP
B-905	12 ga. Galv-Krom®	—	—
B-905-M	14 ga. Galv-Krom®	—	—
B-905-10GR	Green Coated	—	—
B-905-20GR	Green Coated	—	—
B-905-10PG	Pre-Galvanized	—	—
B-905-20PG	Pre-Galvanized	—	—
B-905-10HD	Hot-Dipped Galvanized	—	—
B-905-20HD	Hot-Dipped Galvanized	—	—

Use H-113-B bolts and B-910-1/2 or B-911-1/2 steel nuts for mounting fittings.

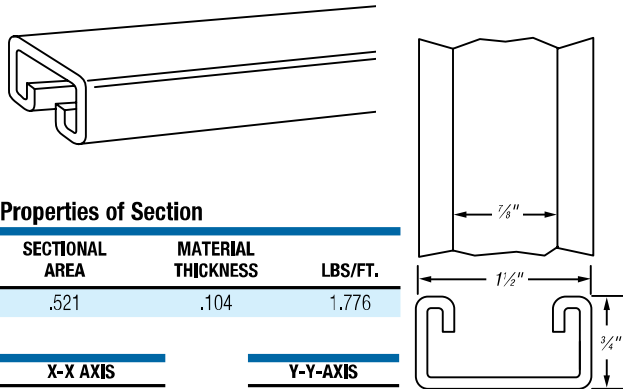
Scribe marks designate midpoint between holes for accurate field cutting.

B-905, 158 lbs./C ft. B-905-M, 102 lbs./C ft.

Channels, Nuts and Fittings

B-906 Channel — 1½" x ¾"

Connection by means of continuous slot.



Properties of Section

SECTIONAL AREA	MATERIAL THICKNESS	LBS/FT.
.521	.104	1.776

X-X AXIS

I	S	R
.155	.088	.545

Y-Y-AXIS

I	S	R
.2	.259	.619

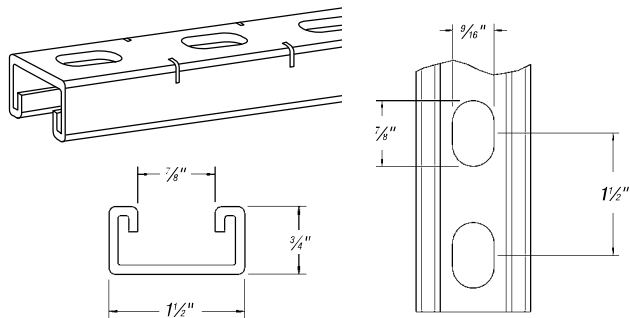


CAT. NO.	DESCRIPTION	MATERIAL
B 906 10	Galv-Krom®	14 ga.
B-906-20	Galv-Krom®	14 ga.
B-906-10-EG	SilverGalv®	14 ga.
B-906-20-EG	SilverGalv®	14 ga.

Use H-113-A bolts and B-910-½" or B-912-½" steel nuts for mounting fittings.

Steel 75 lbs./C ft.

B-907HS Channel — 1½" x ¾"



CAT. NO.	DESCRIPTION	MATERIAL
B 907HS 10	Galv-Krom®	14 ga.
B-907HS-20	Galv-Krom®	14 ga.
B-907HS-10-EG	SilverGalv®	14 ga.
B-907HS-20-EG	SilverGalv®	14 ga.

Use H-113-A bolts and B-910-½" or B-912-½" steel nuts for mounting fittings.

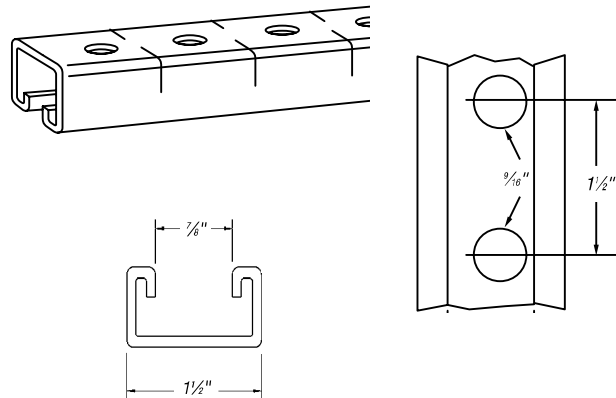
Holes on B-900 series fittings match channel holes.

Scribe marks on steel channel designate midpoint between holes for accurate field cutting.

Steel 71 lbs./C ft.

B-907 Channel — 1½" x ¾"

Connection by means of continuous slot or 9/16" holes on 1½" centers.



CAT. NO.	DESCRIPTION	MATERIAL
B-907-10	Galv-Krom®	14 ga.
B-907-20	Galv-Krom®	14 ga.
B-907-10-EG	SilverGalv®	14 ga.
B-907-20-EG	SilverGalv®	14 ga.

Use H-113-A bolts and B-910-½" or B-912-½" steel nuts for mounting fittings.

Holes on B-900 series fittings match channel holes.

Scribe marks on steel channel designate midpoint between holes for accurate field cutting.

Steel 71 lbs./C ft.



CAT. NO.	DESCRIPTION	JOINER
B-907	14 ga. Galv-Krom	B948
B-907-10GR	Green Coated	B948
B-907-20GR	Green Coated	B948
B-907-10PG	Pre-Galvanized	B948
B-907-20PG	Pre-Galvanized	B948
B-907-10HD	Hot-Dipped Galvanized	B948
B-907-20HD	Hot-Dipped Galvanized	B948

Use H-113-A bolts and B-910-½" or B-912-½" steel nuts for mounting fittings.

Holes on B-900 series fittings match channel holes.

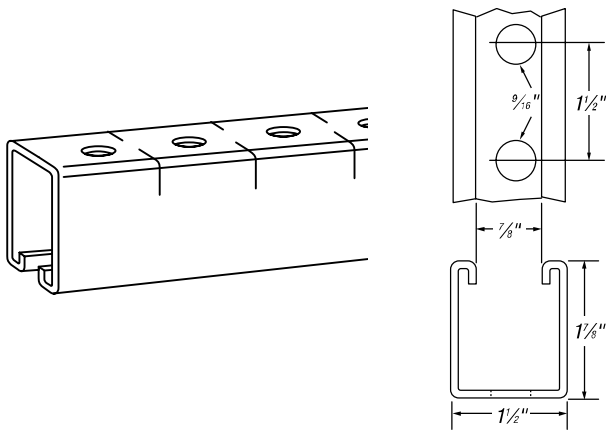
Scribe marks on steel channel designate midpoint between holes for accurate field cutting.

Steel 71 lbs./C ft.

Channels, Nuts and Fittings

B-909 Channel — 1½" x 1⅞"

For heavier load requirements. Connection by means of continuous slot or ⅜" holes on 1½" centers.



CAT. NO.	DESCRIPTION	MATERIAL
B 909 10	Galv-Krom®	12 ga.
B-909-20	Galv-Krom®	12 ga.
B-909-10-EG	SilverGalv®	12 ga.
B-909-20-EG	SilverGalv®	12 ga.

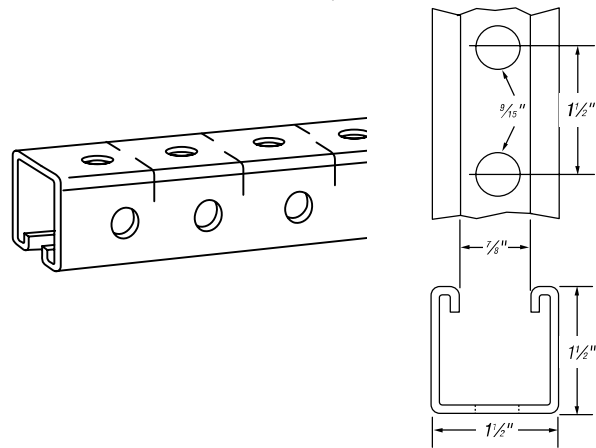
Use H-113-B bolts and B-910-½" or B-911-½" steel nuts for mounting fittings.
118 lbs./C ft.

CAT. NO.	DESCRIPTION	JOINER
B-909	12 ga. Galv-Krom	G978-C
B-909HD	Hot-Dipped Galvanized	G978-C

Use H-113-B bolts and B-910-½" or B-911-½" steel nuts for mounting fittings.
118 lbs./C ft.

B-995 Channel — 1½" x 1½"

Connection by means of continuous slot or ⅜" holes on 1½" centers on three sides which match holes in B-900 series fittings.



CAT. NO.	DESCRIPTION	MATERIAL
B 995 10	Galv-Krom®	12 ga.
B-995-20	Galv-Krom®	12 ga.
B-995-M-10	Galv-Krom®	14 ga.
B-995-M-20	Galv-Krom®	14 ga.
B-995-10-EG	SilverGalv®	12 ga.
B-995-20-EG	SilverGalv®	12 ga.
B-995-M-10-EG	SilverGalv®	14 ga.
B-995-M-20-EG	SilverGalv®	14 ga.

Use H-113-B bolts and B-910-½" or B-911-½" steel nuts for mounting fittings.

150 lbs./C ft. Scribe marks designate midpoint between holes for accurate field cutting.
Standard 10 ft. lengths