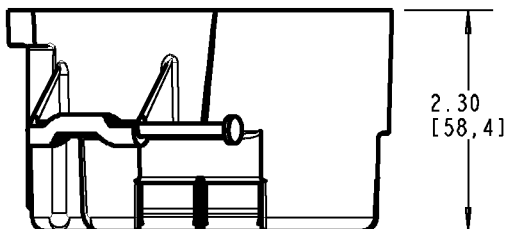
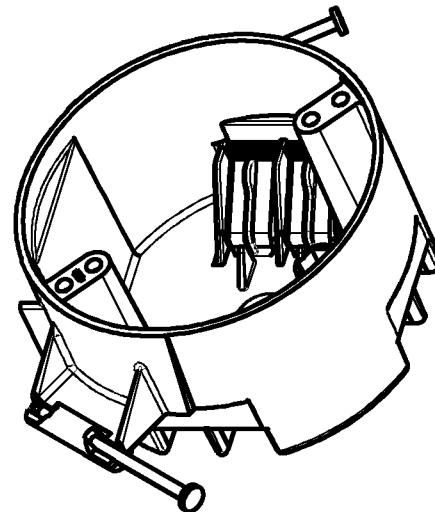
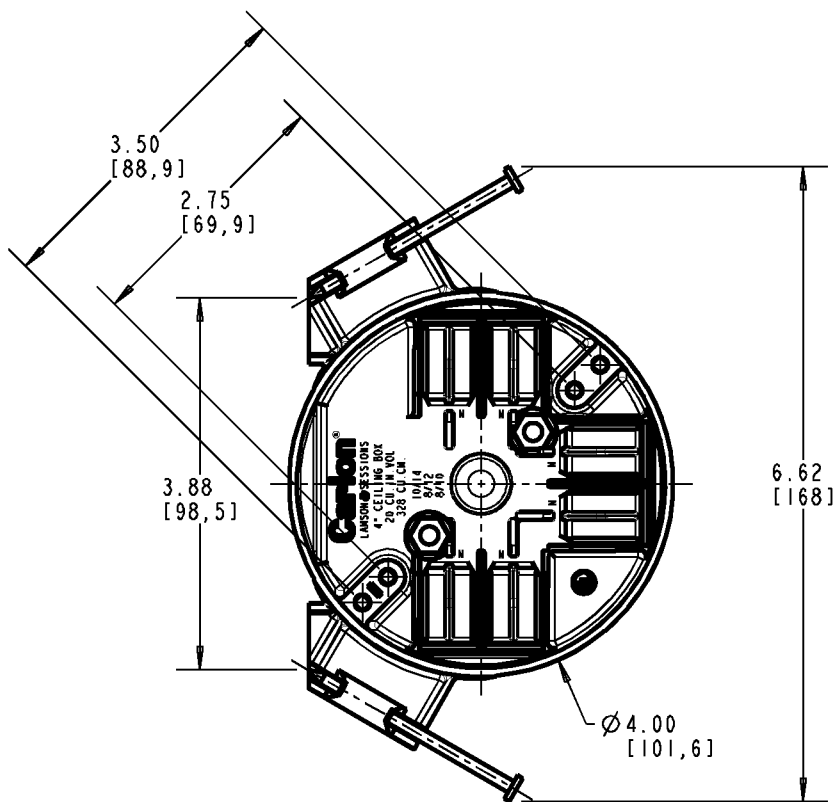


# Carlton®




### WARNING!

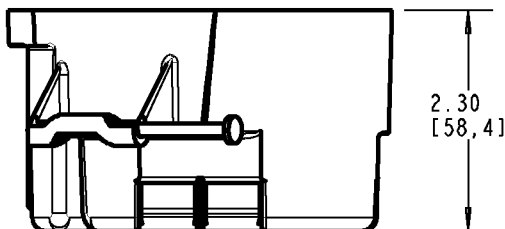
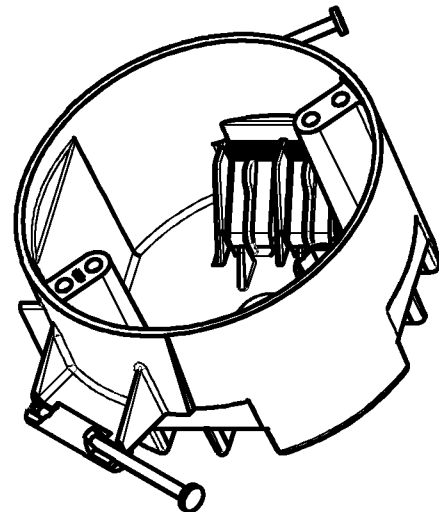
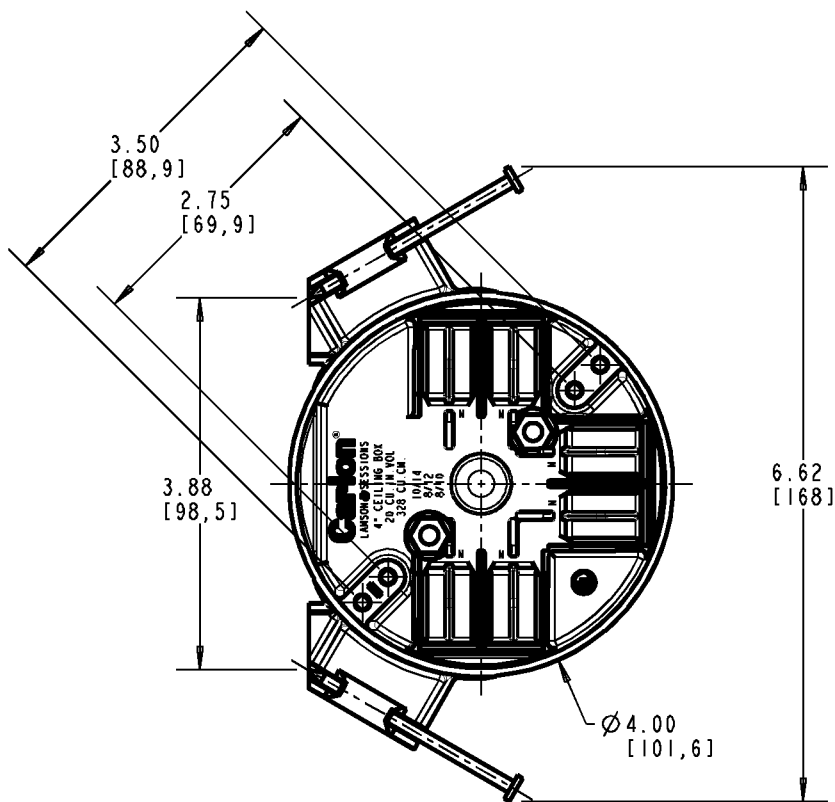
- \* SOLVENTS CANNOT BE APPLIED TO ANY POLYCARBONATE ELECTRICAL BOXES.
- \* DO NOT SPRAY PAINT POLYCARBONATE ELECTRICAL BOXES WITH ANY SOLVENT-BASED PAINT.
- \* DO NOT SPRAY PAINT POLYCARBONATE ELECTRICAL BOXES WITH SPRAY PAINT APPLICATION WHICH INCLUDES ANY SOLVENT.

NOTE:  
1. (2) NAILS INCLUDED.

P/N'S:  
B520AB  
B520AR-UPC  
B520A-UPC

<b>GENERAL NOTES</b>		 www.tnb.com			
1. ALL DIMENSIONS ARE FOR REFERENCE ONLY. 2. DIMENSIONS IN BRACKETS [ ] ARE IN METRIC UNITS.					
<b>REVISIONS</b>		<b>DESCRIPTION: 4" CEILING BOX W/BACKET</b>			
C SEE ERN 2016537 FOR APPROVAL SIGNATURES & RELEASE DATE. PROJECTNO:NM400330		ORIGINAL PROJECT NO / ( ERN NO )	SHEET NO:	REV. NO:	DRAWING NO:
		/ ( )	1 OF 1	C	<b>WSD-AC02073</b>

# Carlton®




### WARNING!

- \* SOLVENTS CANNOT BE APPLIED TO ANY POLYCARBONATE ELECTRICAL BOXES.
- \* DO NOT SPRAY PAINT POLYCARBONATE ELECTRICAL BOXES WITH ANY SOLVENT-BASED PAINT.
- \* DO NOT SPRAY PAINT POLYCARBONATE ELECTRICAL BOXES WITH SPRAY PAINT APPLICATION WHICH INCLUDES ANY SOLVENT.

NOTE:  
1. (2) NAILS INCLUDED.

P/N'S:  
B520AB  
B520AR-UPC  
B520A-UPC

<b>GENERAL NOTES</b>		 www.tnb.com			
1. ALL DIMENSIONS ARE FOR REFERENCE ONLY. 2. DIMENSIONS IN BRACKETS [ ] ARE IN METRIC UNITS.					
<b>REVISIONS</b>		DESCRIPTION: <b>4" CEILING BOX W/BACKET</b>			
C SEE ERN 2016537 FOR APPROVAL SIGNATURES & RELEASE DATE. PROJECTNO:NM400330		ORIGINAL PROJECT NO / ( ERN NO )	SHEET NO:	REV. NO:	DRAWING NO:
		/ ( )	1 OF 1	<b>C</b>	<b>WSD-AC02073</b>