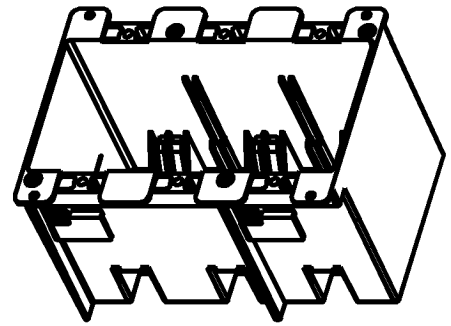
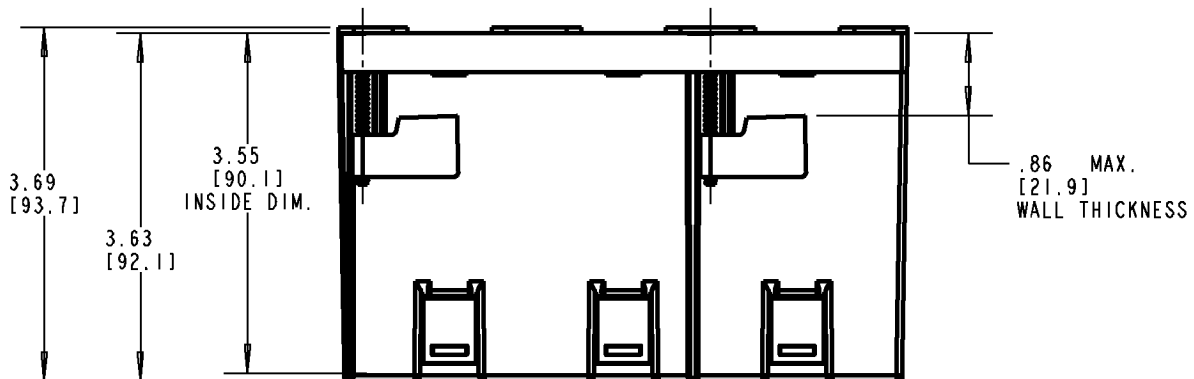
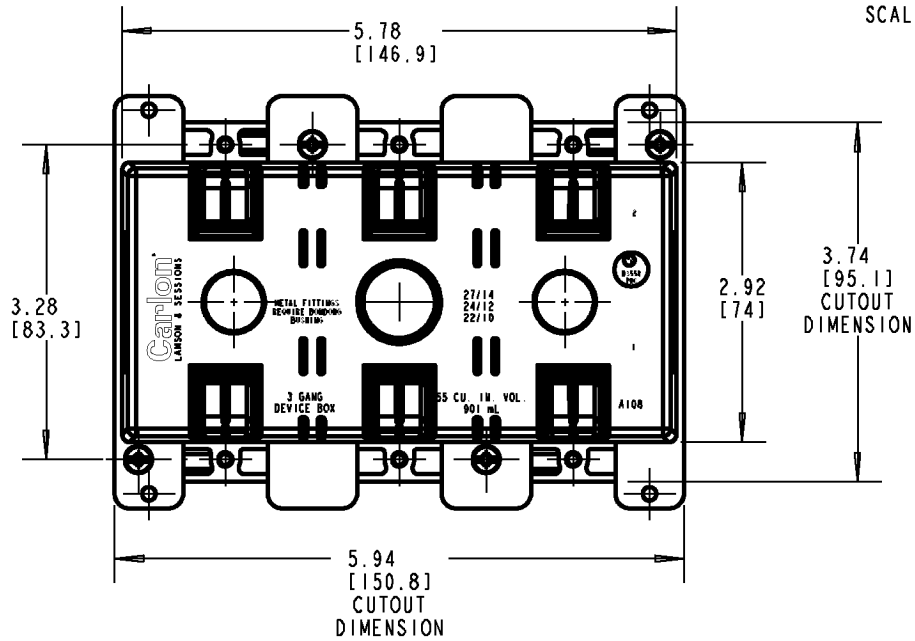


Carlton®




SCALE 0.300

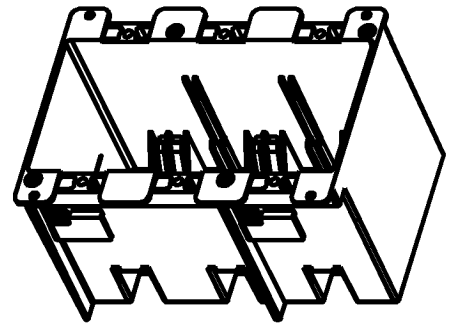


- NOTES:
1. PRODUCT IS UL AND C-UL LISTED.
 2. CAPACITY: 55 CU. IN. VOL.

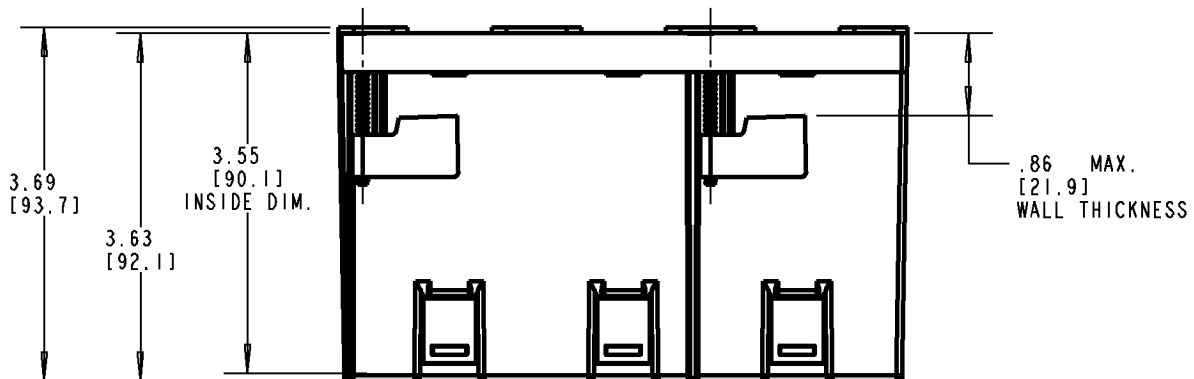
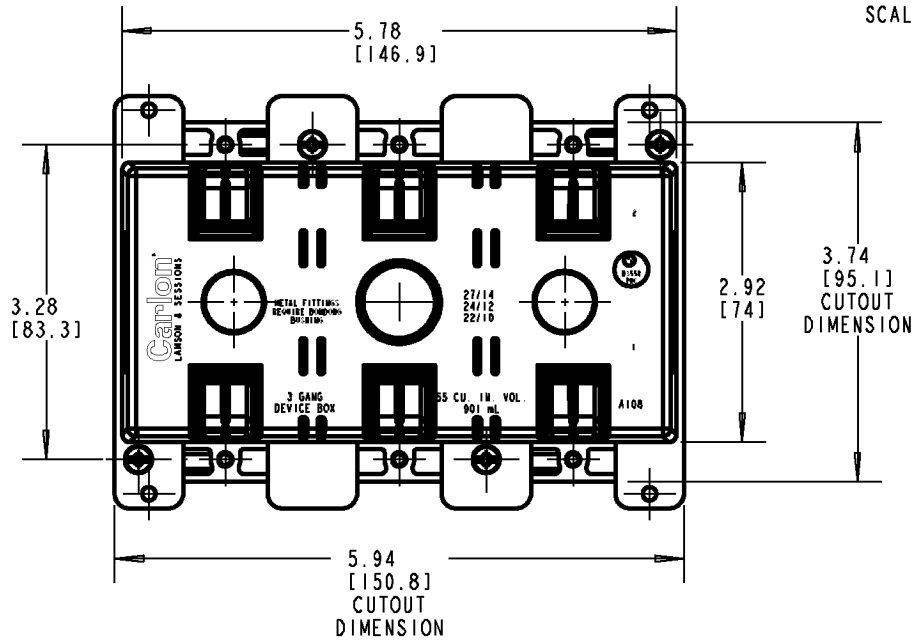
P/N B355R

GENERAL NOTES		 www.tnb.com			
1. ALL DIMENSIONS ARE FOR REFERENCE ONLY. 2. DIMENSIONS IN BRACKETS [] ARE IN METRIC UNITS.					
REVISIONS		DESCRIPTION: 3 GANG OLD WORK BOX			
*** SEE ERN (****) FOR APPROVAL SIGNATURES & RELEASE DATE. PROJECT NO: ****		ORIGINAL PROJECT NO / (ERN NO) / ()	SHEET NO: 1 OF 1	REV. NO: D	DRAWING NO: WSD-AC03434

Carlton®




SCALE 0.300



- NOTES:
1. PRODUCT IS UL AND C-UL LISTED.
 2. CAPACITY: 55 CU. IN. VOL.

P/N B355R

GENERAL NOTES		 www.tnb.com			
1. ALL DIMENSIONS ARE FOR REFERENCE ONLY. 2. DIMENSIONS IN BRACKETS [] ARE IN METRIC UNITS.					
REVISIONS		DESCRIPTION: 3 GANG OLD WORK BOX			
*** SEE ERN (****) FOR APPROVAL SIGNATURES & RELEASE DATE. PROJECT NO: ****		ORIGINAL PROJECT NO / (ERN NO) / ()	SHEET NO: 1 OF 1	REV. NO: D	DRAWING NO: WSD-AC03434