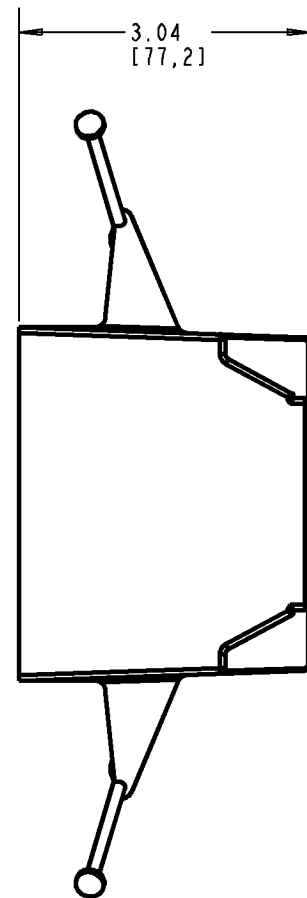
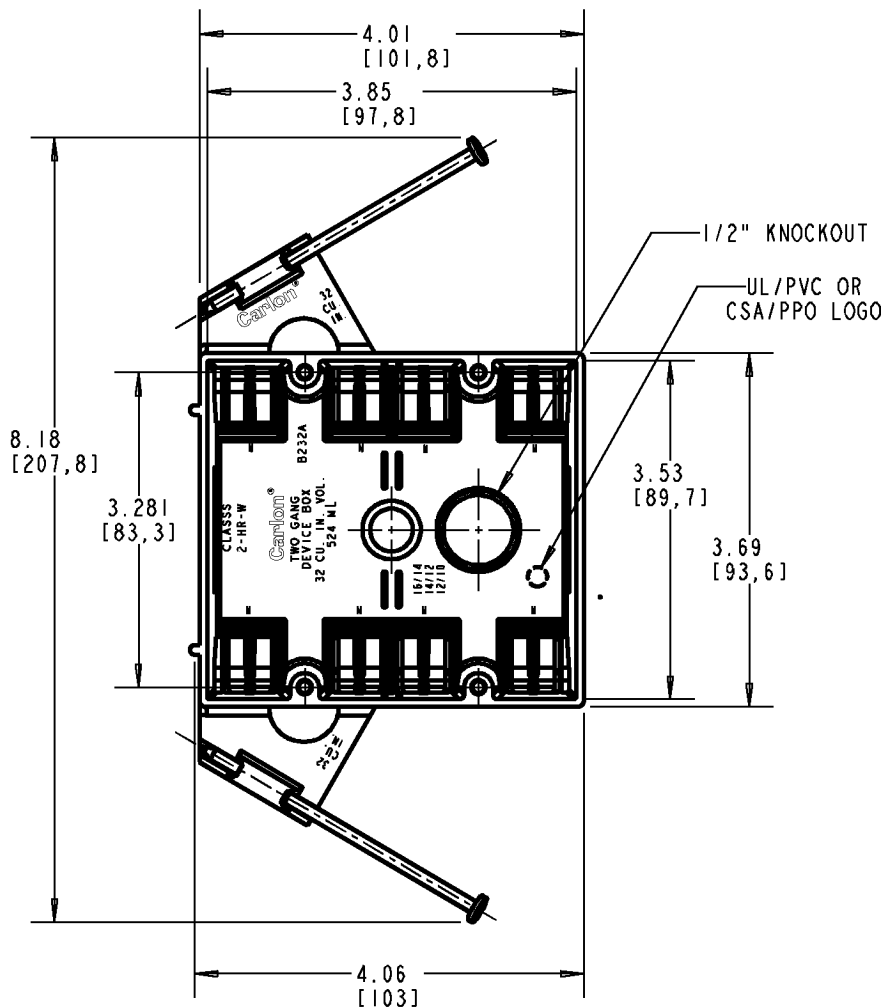
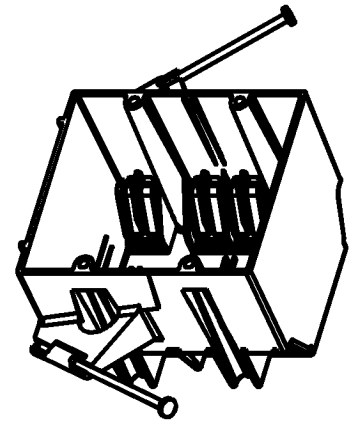


# Carlton®



NOTE:  
1. SUPPORT NAILS INCLUDED.

P/N  
B232ACP  
B232AR-UPC  
B232A-UPC

### GENERAL NOTES

1. ALL DIMENSIONS ARE FOR REFERENCE ONLY.
2. DIMENSIONS IN BRACKETS [ ] ARE IN METRIC UNITS.

### REVISIONS

\*\*\* SEE ERN ( \*\*\*\* ) FOR APPROVAL SIGNATURES & RELEASE DATE.  
PROJECT NO: \*\*\*\*

**Thomas & Betts**  
www.tnb.com

DESCRIPTION: ZIP BOX 32 CU. IN. VOL. - 2 GANG

ORIGINAL PROJECT NO / ( ERN NO )

/ ( )

SHEET NO:

1 OF 1

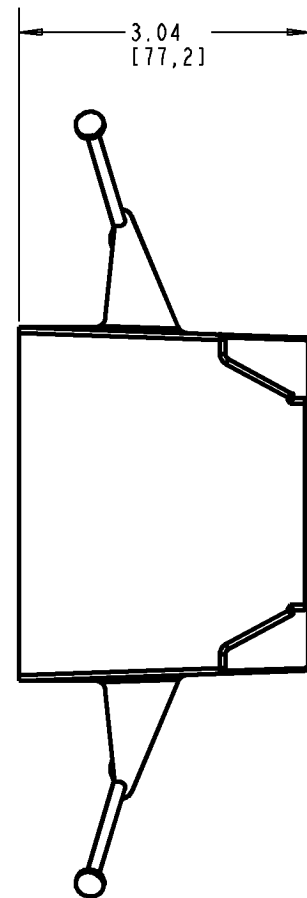
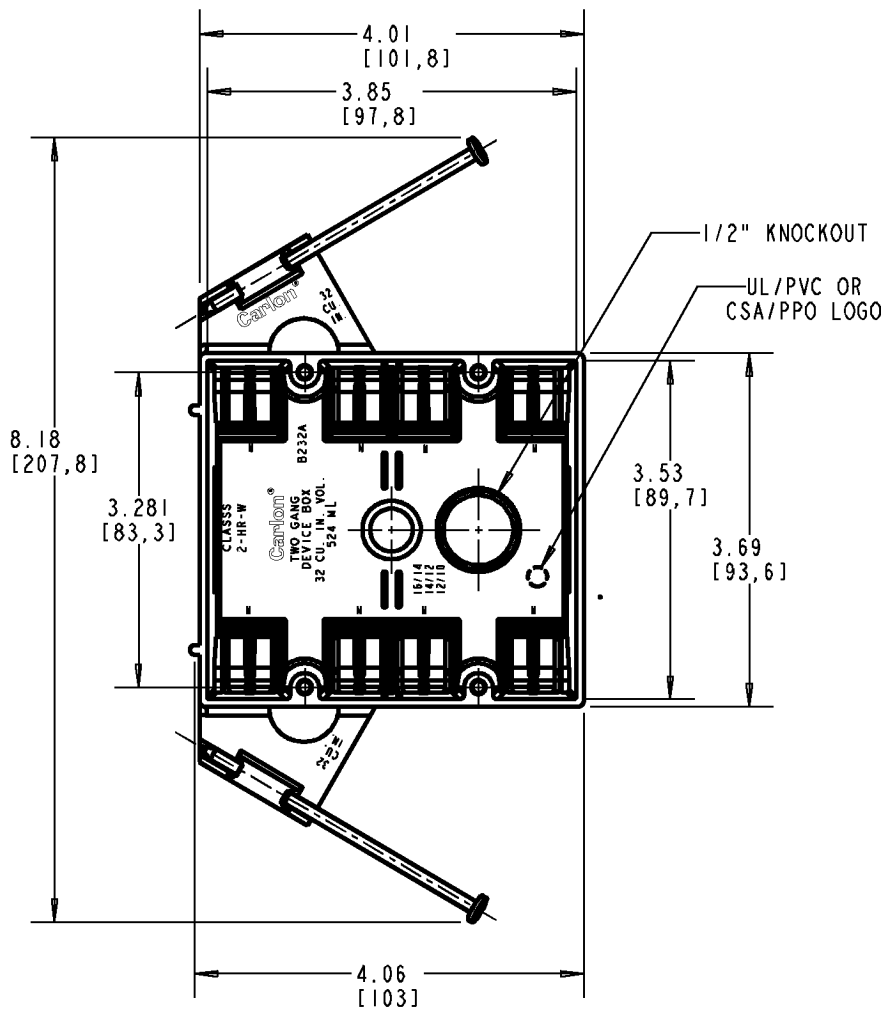
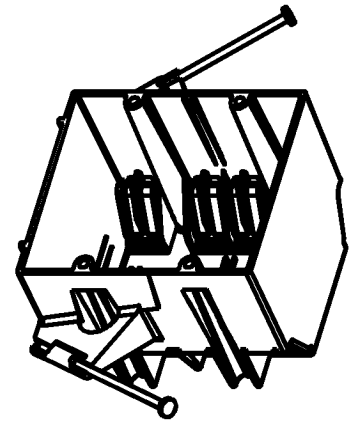
REV. NO:

B

DRAWING NO:

AC02080

# Carlton®



NOTE:  
1. SUPPORT NAILS INCLUDED.

P/N  
B232ACP  
B232AR-UPC  
B232A-UPC

### GENERAL NOTES

1. ALL DIMENSIONS ARE FOR REFERENCE ONLY.
2. DIMENSIONS IN BRACKETS [ ] ARE IN METRIC UNITS.

### REVISIONS

\*\*\* SEE ERN ( \*\*\*\* ) FOR APPROVAL SIGNATURES & RELEASE DATE.  
PROJECT NO: \*\*\*\*

**Thomas & Betts**  
www.tnb.com

DESCRIPTION: ZIP BOX 32 CU. IN. VOL. - 2 GANG

ORIGINAL PROJECT NO / ( ERN NO )

/ ( )

SHEET NO:

1 OF 1

REV. NO:

B

DRAWING NO:

AC02080