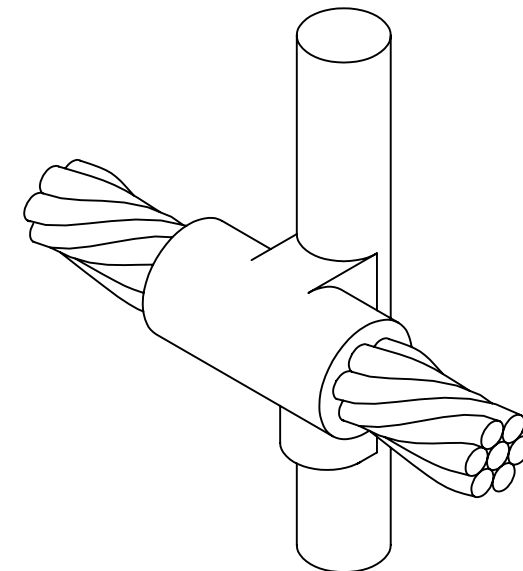


DRAWING NO.  
10051621

REV.	DATE	DESCRIPTION	ECO	BY	C'K'D.
A	12/8/04	DRAWING RELEASED	10262	PL	DS

BURNDY MOLD CAT. NO.	BURNDY ITEM NUMBER	CABLE		WELD METAL	HANDLE CLAMPS
		GROUND ROD	TAP		
B-5321	10048334	1/2"	#6	65	B-106
B-2154	10048335	1/2"	#4	90	B-106
B-2155	10048336	1/2"	#2	90	B-106
B-2156	10048337	1/2"	#1	115	B-106
B-1581	10048338	1/2"	1/0	115	B-106
B-1582	10048339	1/2"	2/0	115	B-106
B-1583	10048340	1/2"	4/0	150	B-106
B-1584	10048341	1/2"	250 kcmil	150	B-106
B-5660	10048350	5/8"	#6	65	B-106
B-2157	10048351	5/8"	#4	90	B-106
B-2158	10048352	5/8"	#2	90	B-106
B-2159	10048353	5/8"	#1	115	B-106
B-1586	10048354	5/8"	1/0	115	B-106
B-1587	10048355	5/8"	2/0	115	B-106
B-1588	10048356	5/8"	4/0	150	B-106
B-1589	10048357	5/8"	250 kcmil	150	B-106
B-1593	10048358	5/8"	500 kcmil	2-200	B-107
B-6630	10048373	3/4"	#6	65	B-106
B-2160	10048374	3/4"	#4	90	B-106
B-2161	10048375	3/4"	#2	90	B-106
B-2162	10048376	3/4"	#1	115	B-106
B-1594	10048377	3/4"	1/0	115	B-106
B-1595	10048378	3/4"	2/0	115	B-106
B-1596	10048379	3/4"	4/0	150	B-106
B-1597	10048380	3/4"	250 kcmil	200	B-106
B-1601	10048381	3/4"	500 kcmil	500	B-107
B-1602	10048382	3/4"	750 kcmil	3-250	B-107
B-6906	10048383	1"	#6	90	B-106
B-2163	10048384	1"	#4	90	B-106
B-2164	10048385	1"	#2	90	B-106
B-2165	10048386	1"	#1	115	B-106
B-1603	10048387	1"	1/0	115	B-106
B-1604	10048388	1"	2/0	115	B-106
B-1605	10048389	1"	4/0	150	B-106
B-1606	10048390	1"	250 kcmil	200	B-106
B-1610	10048391	1"	500 kcmil	500	B-107
B-1611	10048392	1"	750 kcmil	3-250	B-107



**NOTES:**

- BCR-3 TYPE MOLDS ARE USED TO JOIN HORIZONTAL THROUGH RUN CABLE TO THE SIDE OF A VERTICAL GROUND ROD.
- SIZE RANGE IS #6 THROUGH 1000 kcmil SOLID OR CONCENTRIC STRANDED COPPER CONDUCTORS; 1/2" THROUGH 1" FOR THE GROUND ROD.
- MOLDS LISTED ARE FOR CONCENTRIC STRANDED CABLE. ADD SUFFIX "-S" TO MOLD NUMBER FOR SOLID CONNECTORS.
- MOLDS LISTED ARE FOR COPPERCLAD GROUND RODS. FOR WELDING TO STEEL, STAINLESS STEEL OR GALVANIZED STEEL GROUND RODS ADD SUFFIX "-N" TO MOLD NUMBER.
- FOR HEAVY DUTY MOLDS, ADD SUFFIX "H" TO MOLD NUMBER.
- REQUIRED TOOLS: HANDLE CLAMPS (SEE TABLE ABOVE). FOR HANDLES SEE DRAWING 10051615. B38-0309-00: FLINT IGNITOR (DRAWING 10051616).
- OTHER RECOMMENDED ACCESSORIES: DRAWING 10051616  
 B38-3922-00: MOLD CLEANING BRUSH  
 B38-0135-00: CABLE CLEANING BRUSH  
 B38-0330-00: CABLE CLAMP  
 B38-0304-00: FILE

TO ORDER BURNDY® PRODUCTS CALL 1-800-346-4175 MANCHESTER, NH 03109, USA FOR PRODUCT INFO = <a href="http://www.burndy.com">http://www.burndy.com</a>		
BURNDYWeld™ HORIZONTAL THRU CABLE TO GROUND ROD		
ITEM NO: N/A		
CAT NO: BCR-3 SERIES		
SCALE: N/A		
DRAWN BY: P LAPONIUS 12/8/04		
CHECKER: D SHIBILIA 1/3/05		
DSN APPV: D SHIBILIA 1/13/05		
MFG APPV: -- --		
QC APPV: J BRODEUR 1/14/05		
MKT APPV: R ROBICHEAU 1/18/05		
PROD FAM: ---	DRAWING NO	REV
PROJECT # ---	10051621	A
DOCUMENT TYPE: Sales	SIZE	
REL LEVEL: AutoCAD	D	SHEET 1 of 1