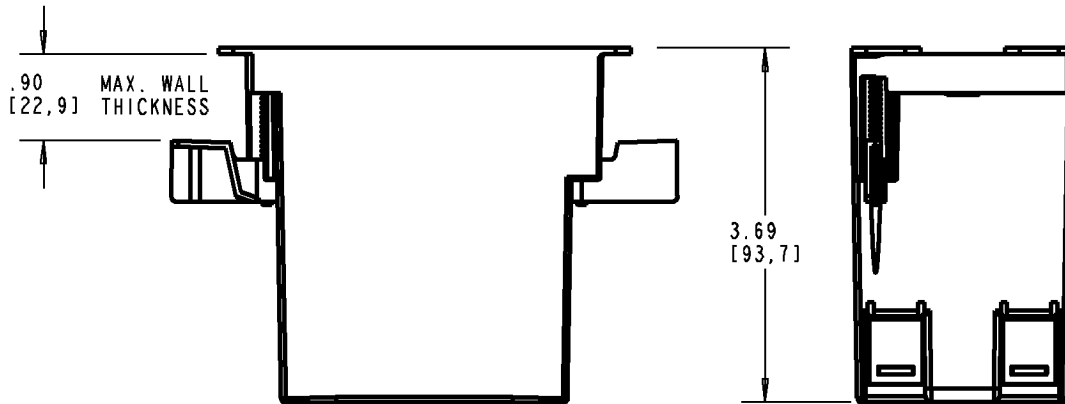
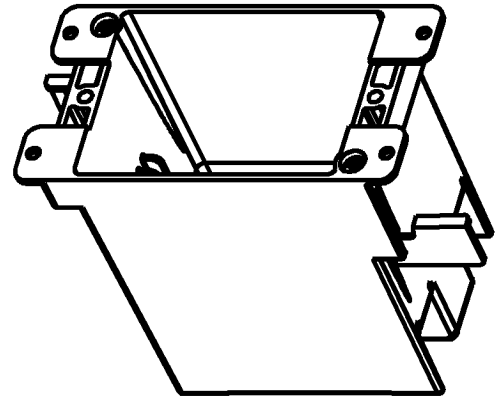
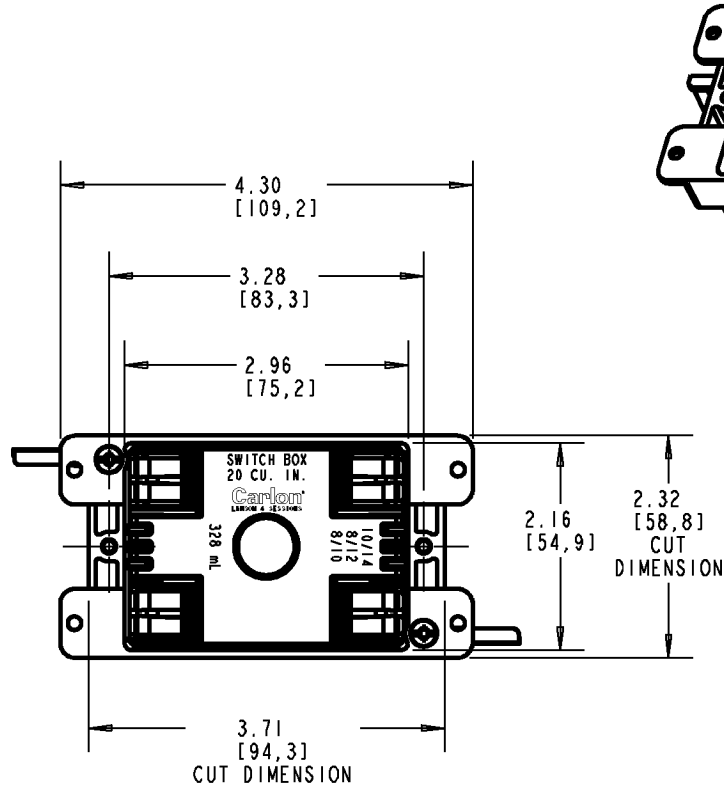


Carlton®



NOTES:
1. PRODUCT IS UL AND C-UL LISTED.

P/N B120R

GENERAL NOTES

1. ALL DIMENSIONS ARE FOR REFERENCE ONLY.
2. DIMENSIONS IN BRACKETS [] ARE IN METRIC UNITS.

REVISIONS

*** SEE ERN (****) FOR APPROVAL SIGNATURES & RELEASE DATE.
PROJECT NO: ****

Thomas & Betts
www.tnb.com

DESCRIPTION: 20 CU. IN. VOL. OLD WORK BOX

ORIGINAL PROJECT NO / (ERN NO)

SHEET NO:

REV. NO:

DRAWING NO:

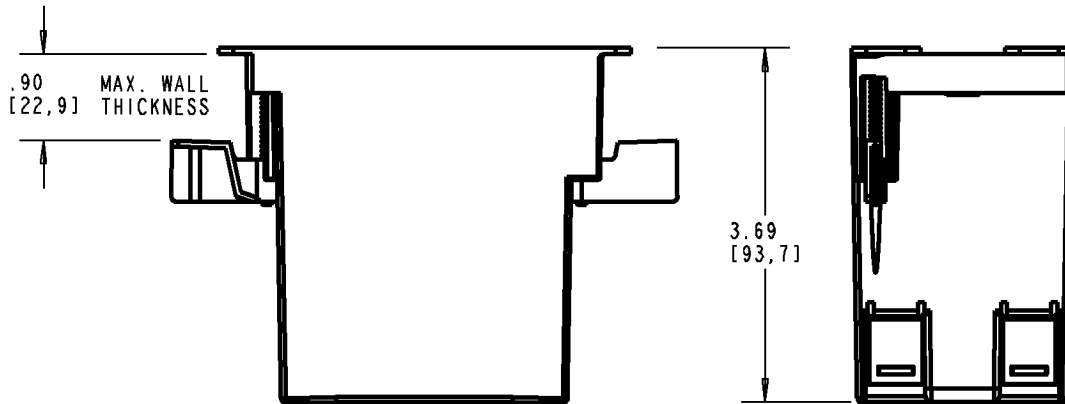
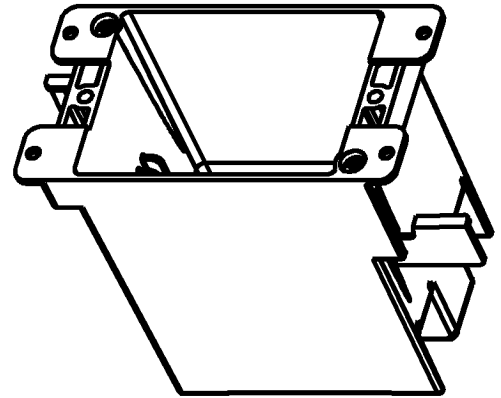
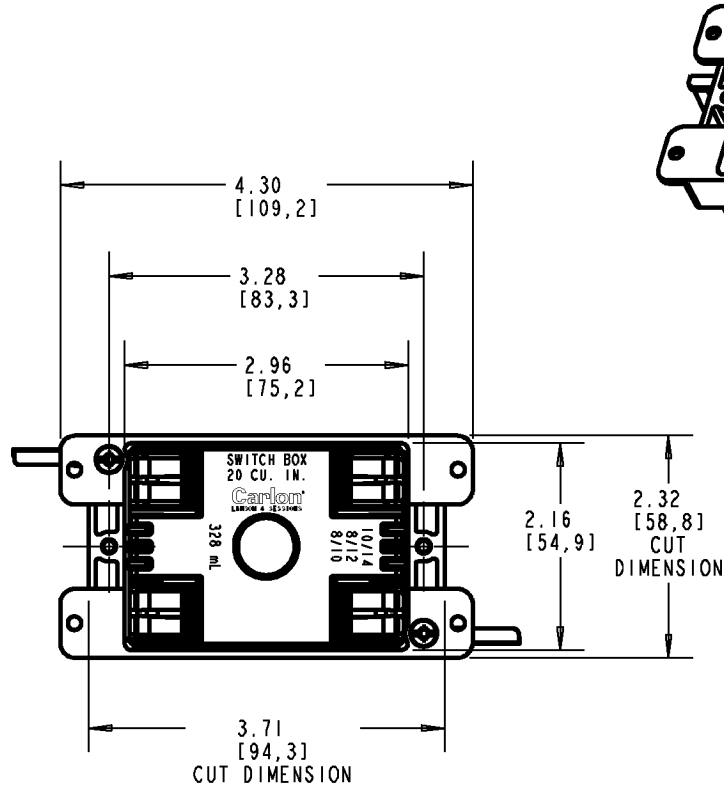
/ ()

1 OF 1

F

WSD-AC03278

Carlton



NOTES:
1. PRODUCT IS UL AND C-UL LISTED.

P/N B120R

GENERAL NOTES

1. ALL DIMENSIONS ARE FOR REFERENCE ONLY.
2. DIMENSIONS IN BRACKETS [] ARE IN METRIC UNITS.

REVISIONS

** SEE ERN (****) FOR APPROVAL SIGNATURES & RELEASE DATE.
PROJECT NO: ****

Thomas & Betts
www.tnb.com

DESCRIPTION: 20 CU. IN. VOL. OLD WORK BOX

ORIGINAL PROJECT NO / (ERN NO)

SHEET NO:

REV. NO:

DRAWING NO:

/ ()

1 OF 1

F

WSD-AC03278