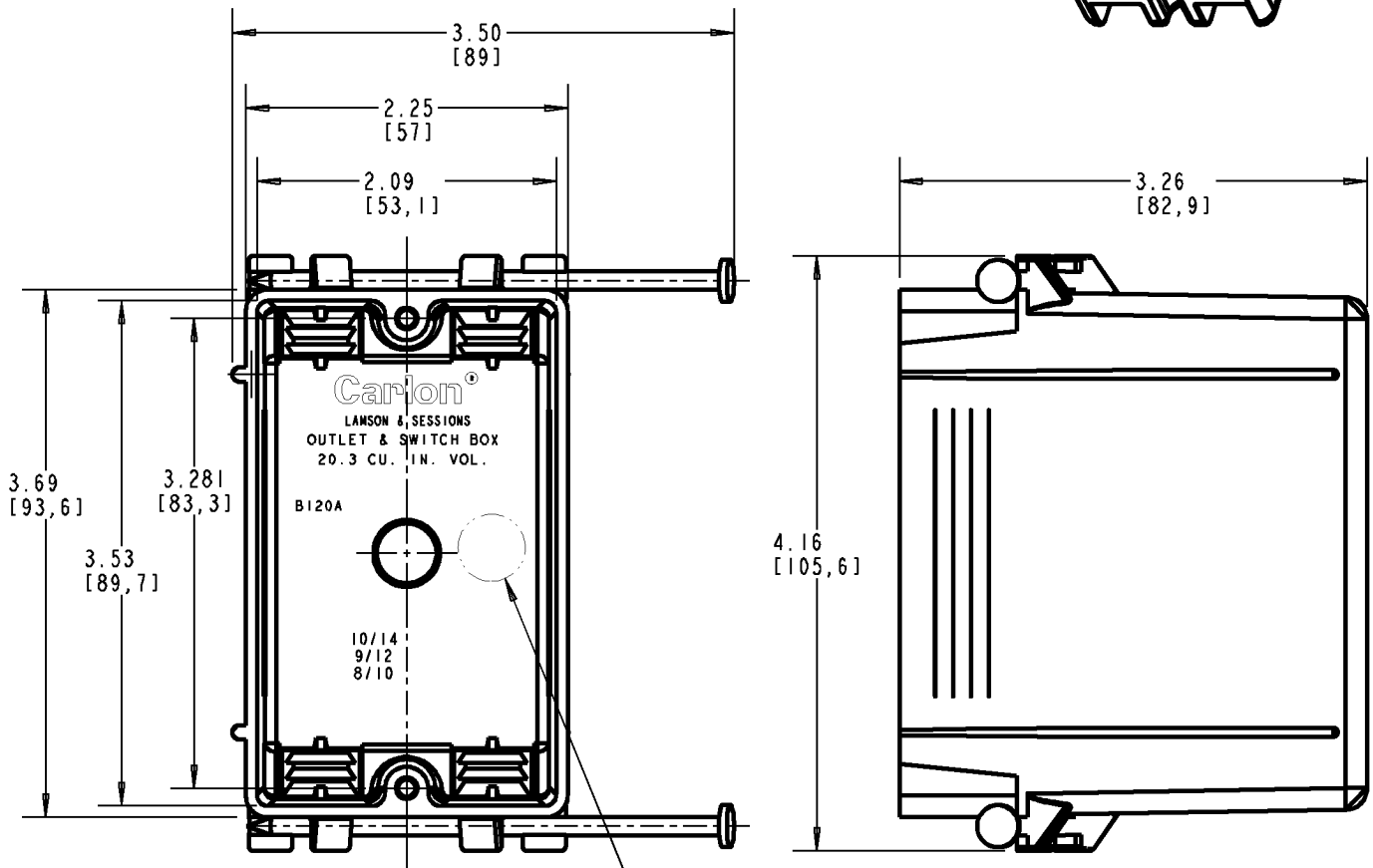
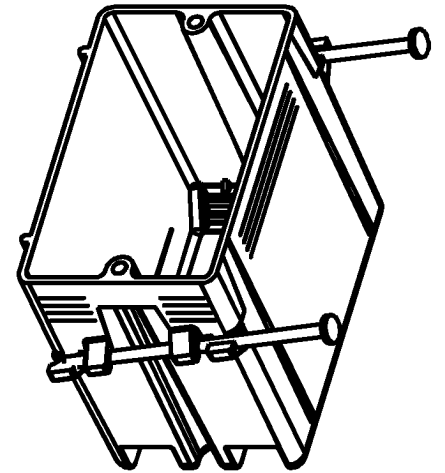


Carlton®



NOTE:
1. SUPPORT NAILS INCLUDED.

UP/PVC OR
CSA/PPO LOGO

P/N
B120A-UPC
B120AR-UPC

GENERAL NOTES

1. ALL DIMENSIONS ARE FOR REFERENCE ONLY.
2. DIMENSIONS IN BRACKETS [] ARE IN METRIC UNITS.

REVISIONS

** SEE ERN (****)
FOR APPROVAL SIGNATURES
& RELEASE DATE.
PROJECT NO: ****

Thomas & Betts
www.tnb.com

DESCRIPTION: **ZIP BOX 20 CU. IN. VOL. NAIL-ON**

ORIGINAL PROJECT NO / (ERN NO)

/ ()

SHEET NO:

1 OF 1

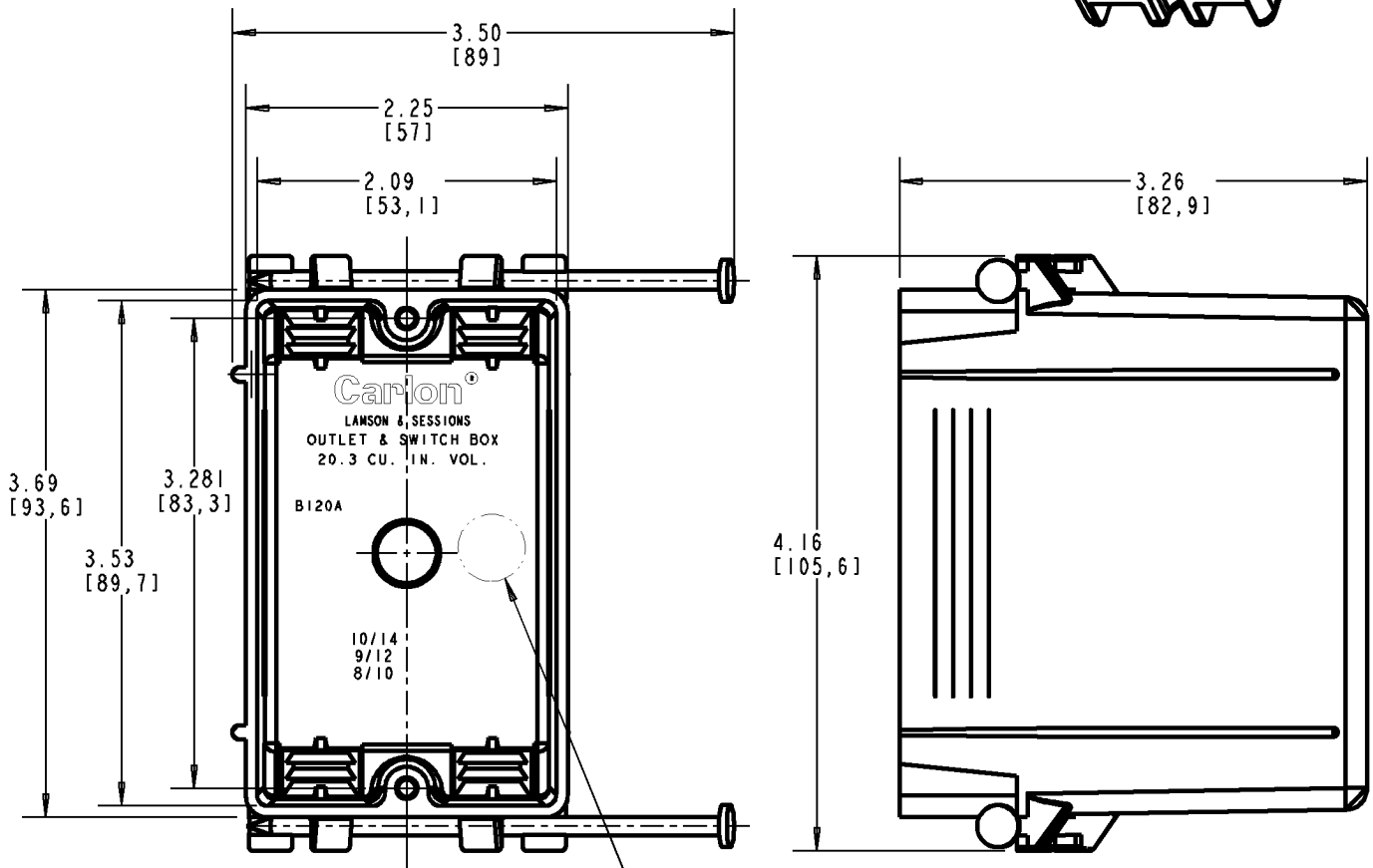
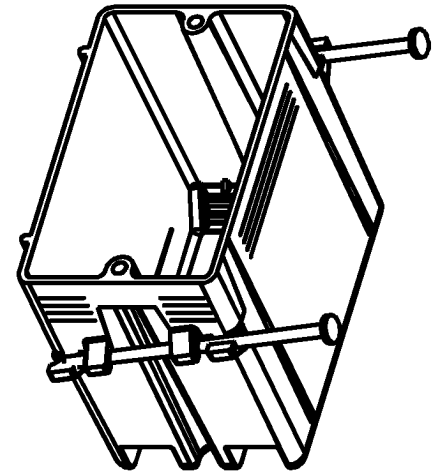
REV. NO:

B

DRAWING NO:

WSD-AC02075

Carlton®



NOTE:
1. SUPPORT NAILS INCLUDED.

UP/PVC OR
CSA/PPO LOGO

P/N
B120A-UPC
B120AR-UPC

GENERAL NOTES

1. ALL DIMENSIONS ARE FOR REFERENCE ONLY.
2. DIMENSIONS IN BRACKETS [] ARE IN METRIC UNITS.

REVISIONS

** SEE ERN (****)
FOR APPROVAL SIGNATURES
& RELEASE DATE.
PROJECT NO: ****

Thomas & Betts
www.tnb.com

DESCRIPTION: **ZIP BOX 20 CU. IN. VOL. NAIL-ON**

ORIGINAL PROJECT NO / (ERN NO)

/ ()

SHEET NO:

1 OF 1

REV. NO:

B

DRAWING NO:

WSD-AC02075