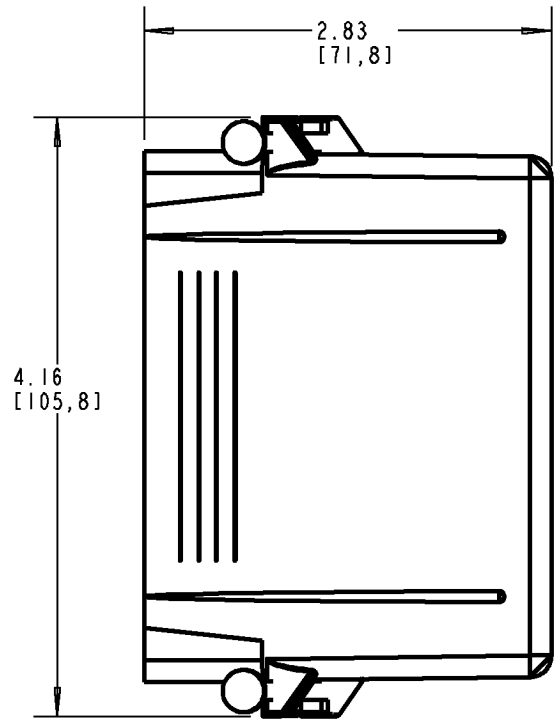
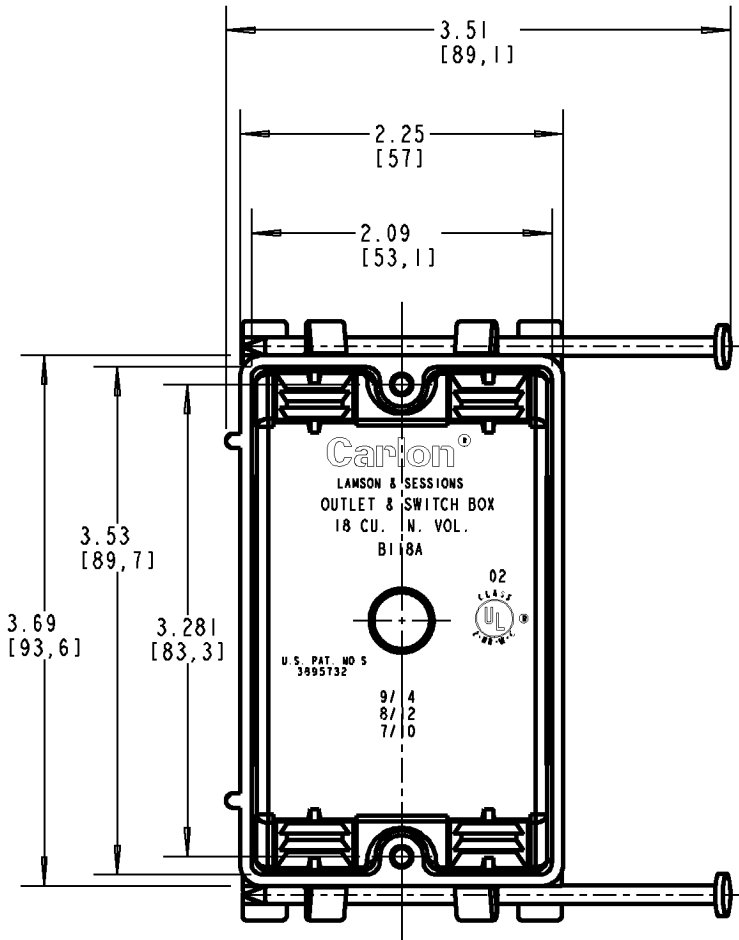
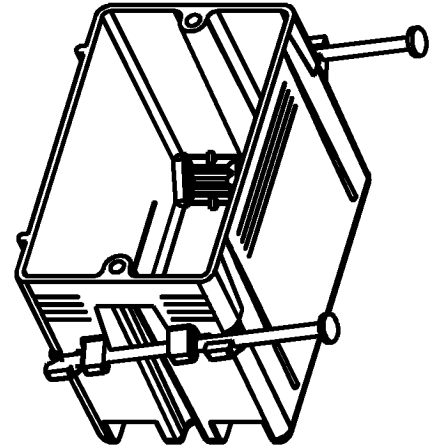


Carlton®



P/N
B118A
B118ARN
B118AR-UPC
B118ASW

NOTE:
1. SUPPORT NAILS INCLUDED.

GENERAL NOTES

- ALL DIMENSIONS ARE FOR REFERENCE ONLY.
- DIMENSIONS IN BRACKETS [] ARE IN METRIC UNITS.

REVISIONS

*** SEE ERN (****) FOR APPROVAL SIGNATURES & RELEASE DATE.
PROJECT NO: ****

Thomas & Betts
www.tnb.com

DESCRIPTION: ZIP BOX 18 CU. IN. VOL. NAIL-ON

ORIGINAL PROJECT NO / (ERN NO)

/ ()

SHEET NO:

1 OF 1

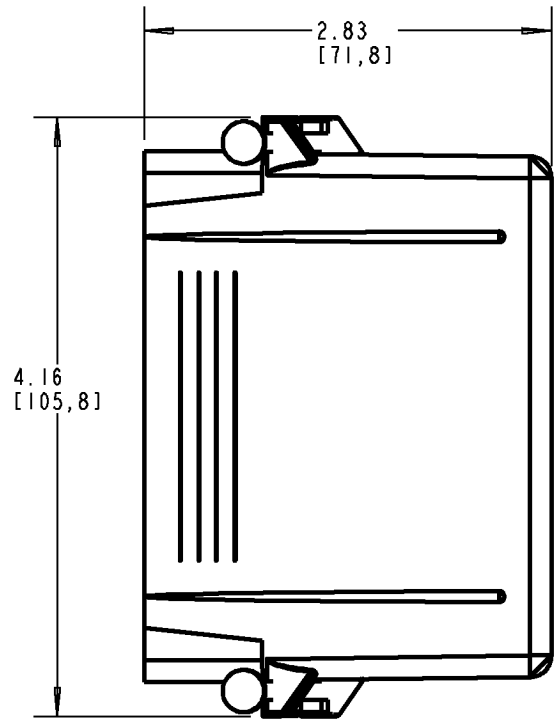
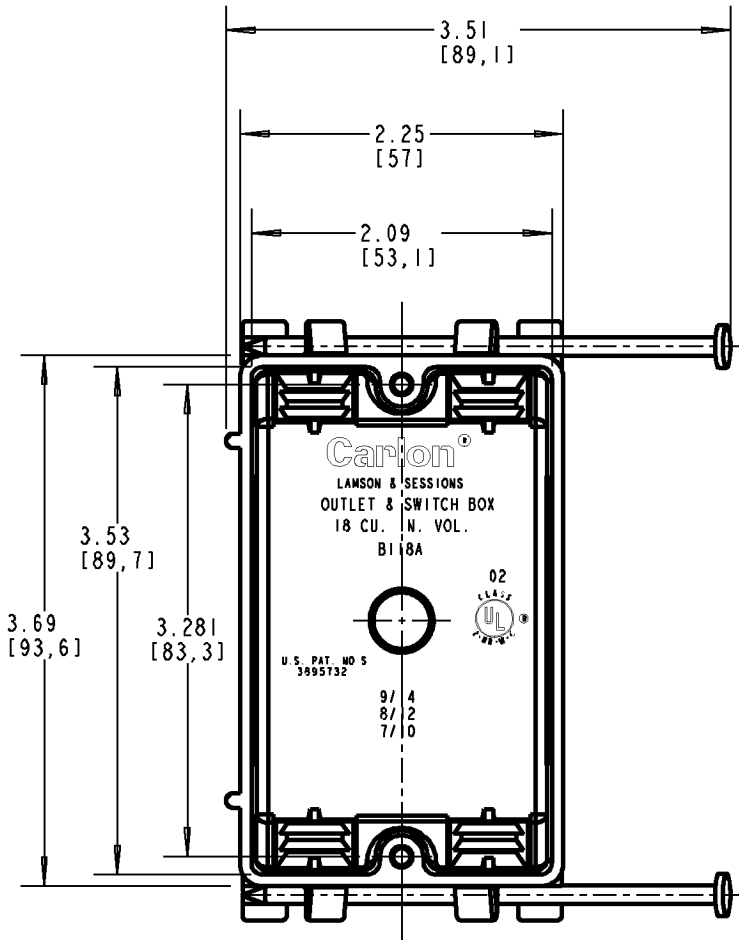
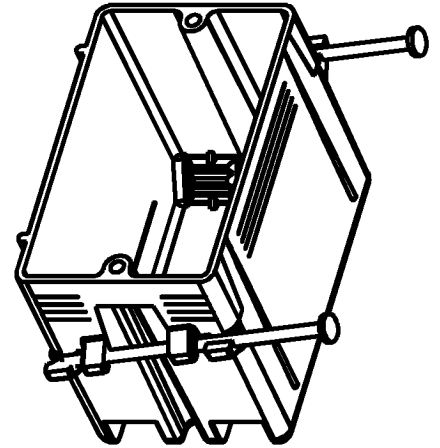
REV. NO:

C

DRAWING NO:

WSD-AC02077

Carlton®



NOTE:
1. SUPPORT NAILS INCLUDED.

P/N
B118A
B118ARN
B118AR-UPC
B118ASW

GENERAL NOTES

1. ALL DIMENSIONS ARE FOR REFERENCE ONLY.
2. DIMENSIONS IN BRACKETS [] ARE IN METRIC UNITS.

REVISIONS

*** SEE ERN (****) FOR APPROVAL SIGNATURES & RELEASE DATE.
PROJECT NO: ****

Thomas & Betts
www.tnb.com

DESCRIPTION: ZIP BOX 18 CU. IN. VOL. NAIL-ON

ORIGINAL PROJECT NO / (ERN NO)

/ ()

SHEET NO:

1 OF 1

REV. NO:

C

DRAWING NO:

WSD-AC02077