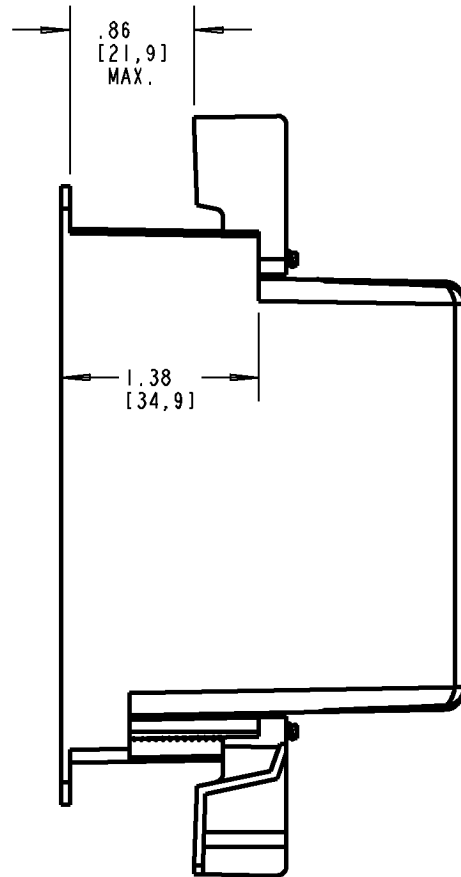
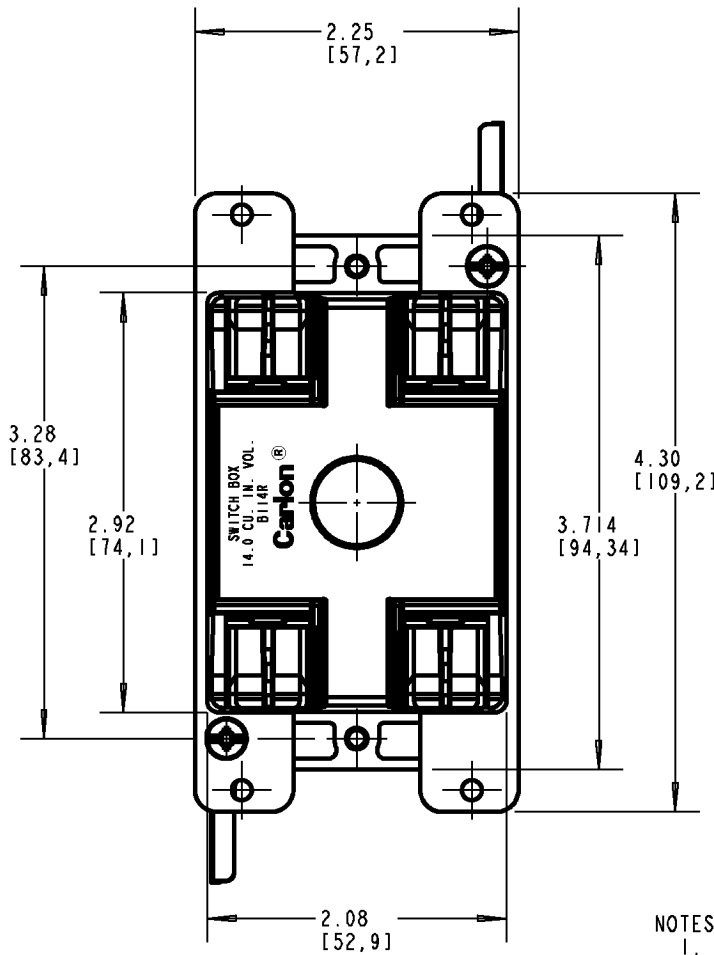
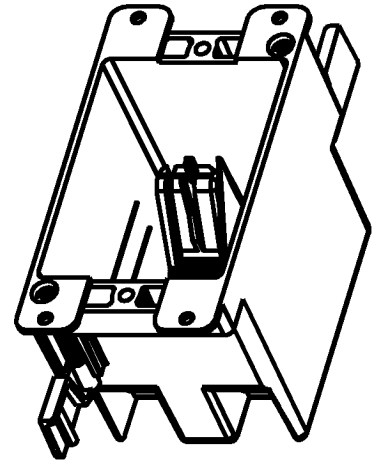
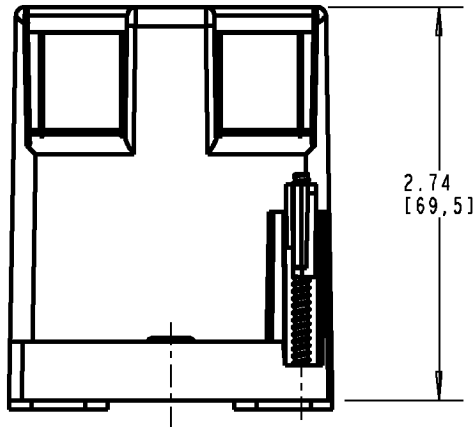


# Carlton®



**NOTES:**

- (2) #6-20X1-1/2" PAN HEAD SCREWS & SWING CLAMPS INCLUDED.

P/N  
B114RB  
B114RR-UPC  
B114R-UPC

**GENERAL NOTES**

- ALL DIMENSIONS ARE FOR REFERENCE ONLY.
- DIMENSIONS IN BRACKETS [ ] ARE IN METRIC UNITS.

**REVISIONS**

\*\*\* SEE ERN (\*\*\*\*) FOR APPROVAL SIGNATURES & RELEASE DATE.  
PROJECT NO: \*\*\*\*

**Thomas & Betts**  
www.tnb.com

DESCRIPTION: **14 CU. IN. VOL. OLD WORK BOX**

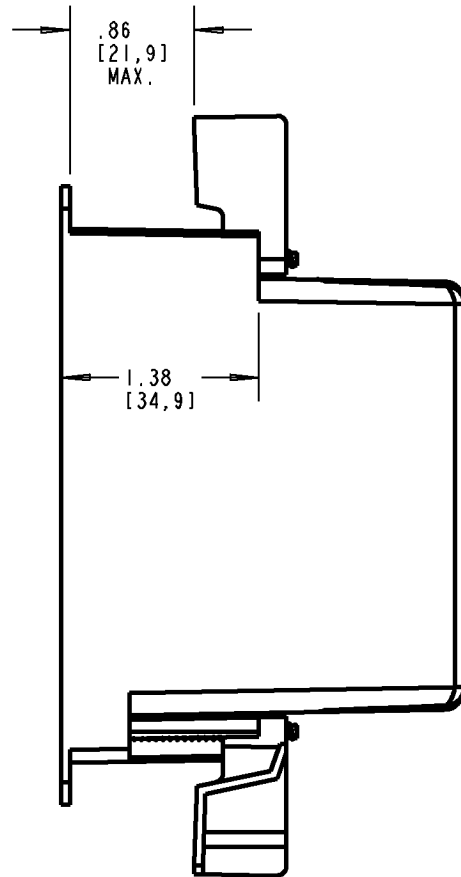
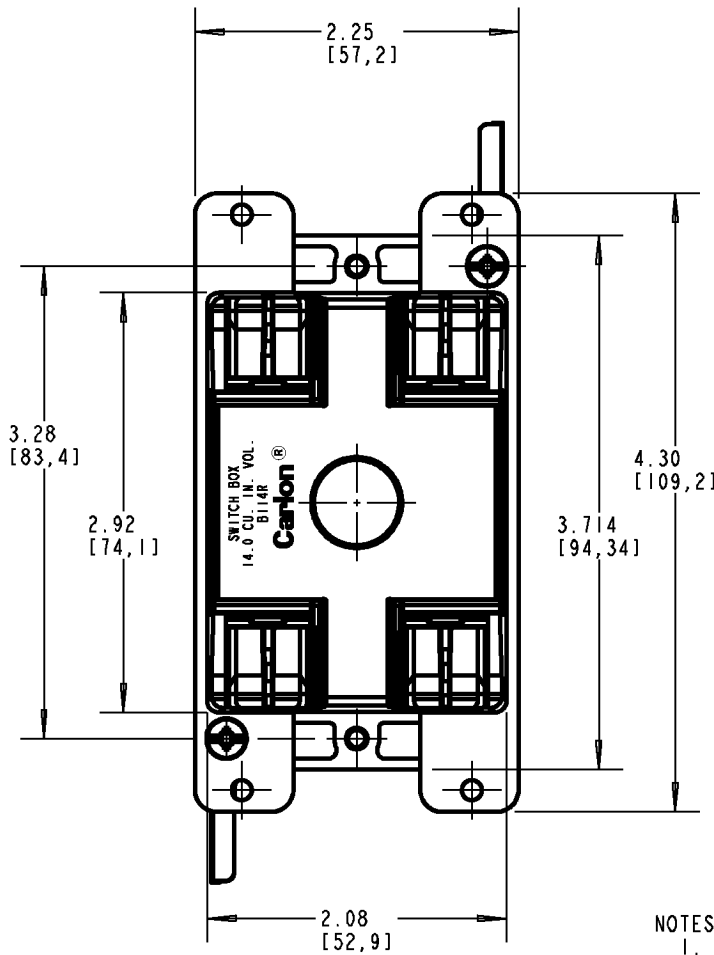
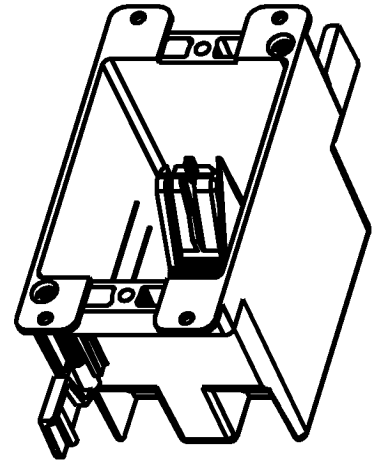
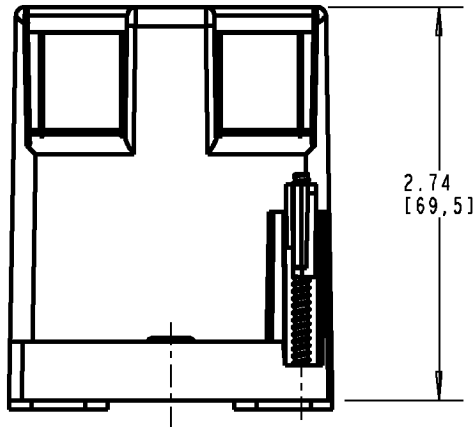
ORIGINAL PROJECT NO / ( ERN NO )  
/ ( )

SHEET NO:  
1 OF 1

REV. NO:  
C

DRAWING NO:  
WSD-AC02067

# Carlton®



**NOTES:**

- (2) #6-20X1-1/2" PAN HEAD SCREWS & SWING CLAMPS INCLUDED.

P/N  
B114RB  
B114RR-UPC  
B114R-UPC

**GENERAL NOTES**

- ALL DIMENSIONS ARE FOR REFERENCE ONLY.
- DIMENSIONS IN BRACKETS [ ] ARE IN METRIC UNITS.

**REVISIONS**

\*\*\* SEE ERN (\*\*\*\*) FOR APPROVAL SIGNATURES & RELEASE DATE.  
PROJECT NO: \*\*\*\*

**Thomas & Betts**  
www.tnb.com

DESCRIPTION: **14 CU. IN. VOL. OLD WORK BOX**

ORIGINAL PROJECT NO / ( ERN NO )  
/ ( )

SHEET NO:  
1 OF 1

REV. NO:  
C

DRAWING NO:  
WSD-AC02067