

Ariadni C•L Dimmer

Dimmer for CFL, LED, Halogen, and Incandescent dimmable bulbs.

Features

- On/off toggle switch with a captive linear-slide dimmer for a traditional wallplate opening
- HED Technology: Advanced Lutron dimming circuitry designed for compatibility with most high efficacy light bulbs
- UL Listed to control:
 - Dimmable compact fluorescent load (CFL) with integrated ballast
 - Dimmable LED with integrated driver
 - Halogen
 - Incandescent
- Low-end adjustment to accommodate a wide range of bulbs
- 100% factory tested

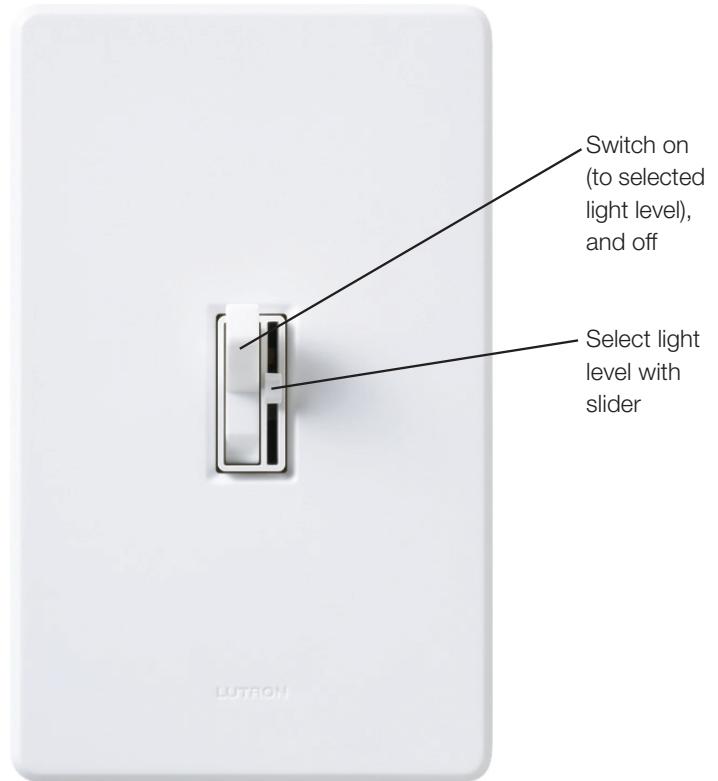
Application Requirements

- **When dimming CFLs or LEDs, only bulbs marked or rated as DIMMABLE may be used.**
- For a complete list of compatible DIMMABLE CFLs and LEDs please visit www.lutron.com/dimcflled. For questions call 1.800.523.9466.
- Some DIMMABLE CFLs and LEDs require a minimum number of bulbs for proper operation. For details and a list of bulbs, please visit www.lutron.com/dimcflled.

Model Numbers

AYCL-153P-XX^{1,2} Single pole/3-way³
 AYCL-153PH-XX-C⁴ Single pole/3-way³

¹ "XX" in the model number represents color/finish code; see "Colors and Finishes" chart on next page.
² For clamshell packaging, add "H" after "153P".
³ For 3-way and 4-way switching, use Claro switches or other mechanical switches.
⁴ Clamshell packaged product for Canada.



* Wallplate sold separately

Job Name:	Model Numbers:
Job Number:	

Specifications

Regulatory Approvals

- UL Listed to US and Canadian safety requirements UL1472 / CSA C22.2 184.1
- NOM

Power and Ratings

- 120 V~ 60 Hz
- 150 W dimmable CFL/LED
- or**
- 600 W Incandescent/Halogen
- or**
- Mixed bulb type per **Multigang and Mixed Bulb Type Ratings** table (see page 3)

Environment

- For indoor use only.
- Operating temperatures 0 °C to 40 °C (32 °F to 104 °F).

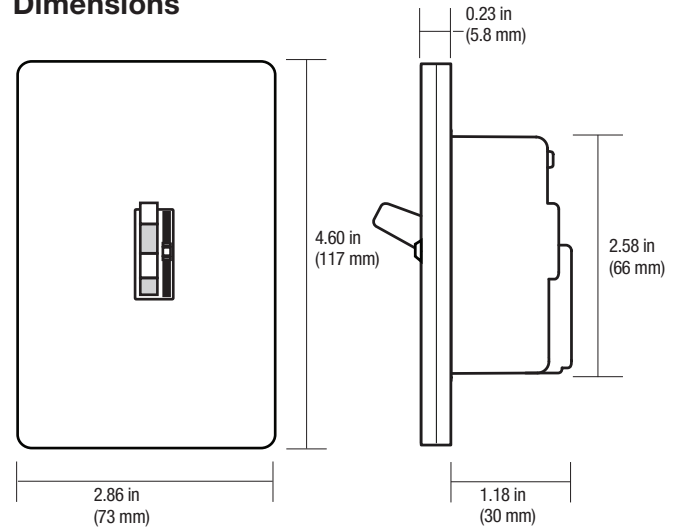
Performance

- Power-failure memory
- Captive linear slider
- Electrostatic discharge tested
- Precise color matching
- Mechanical air-gap switch to disconnect load power

Warranty

- 1 Year Limited Warranty
- For additional Warranty information, please visit www.lutron.com/TechnicalDocumentLibrary/369-119_Wallbox_Warranty.pdf

Dimensions



Colors and Finishes

Gloss Finishes

Add color/finish code to model #

Example: AYCL-153P-WH

WH	White
IV	Ivory
AL	Almond
LA	Light Almond
BR	Brown
BL	Black

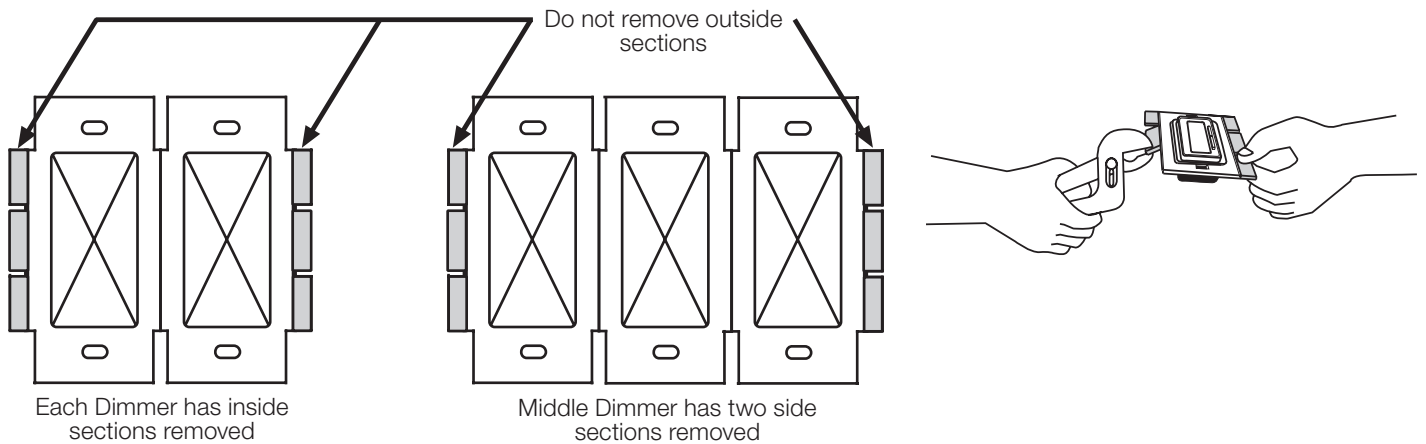
Job Name:	Model Numbers:
Job Number:	

Multigang and Mixed-Bulb-Type Ratings

When installing more than one Dimmer in the same wallbox, it may be necessary to remove some side sections prior to wiring (**see diagram**). Removal of Dimmer side sections may reduce maximum wattage, as shown in the chart below.

Mixing bulb types (**using a combination of CFL/LED, and Incandescent/Halogen bulbs**) will also affect the maximum ratings, as shown in the chart below.

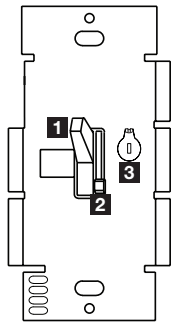
*EXAMPLE: If one set of side sections is removed and you have two 24 W CFL bulbs installed (Total CFL Wattage = 48 W), you may add up to 300 W of incandescent or halogen lighting.



Total CFL/LED Wattage Installed (Wattage per bulb x # of bulbs)	CFL LED	Maximum Allowable Incandescent/Halogen Wattage		
		No sides removed	1 side removed	2 sides removed
0 W	+	600 W	500 W	400 W
1 W – 25 W	+	500 W	400 W	300 W
26 W – 50 W	+	400 W	300 W	200 W
51 W – 75 W	+	300 W	200 W	100 W
76 W – 100 W	+	200 W	100 W	50 W
101 W – 125 W	+	100 W	50 W	0 W
126 W – 150 W	+	0 W	0 W	0 W

Job Name:	Model Numbers:
Job Number:	

Operation (View with wallplate removed)



1 Switch
Turns lights ON and OFF.

2 Slider
Controls light level.

+ **Up**
Increases light level

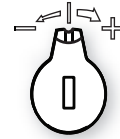
- **Down**
Decreases light level

IMPORTANT: Set slider to bottom before adjusting dimming range.

Lever-type Adjustment Dial

3 Adjustment lever
Sets low end dimming limit.

Right (clockwise)
Increases brightness



Left (counter-clockwise)
Decreases brightness

OR

Wheel-type Adjustment Dial

3 Adjustment dial
Sets low end dimming limit.

Right (counter-clockwise)
Decreases brightness



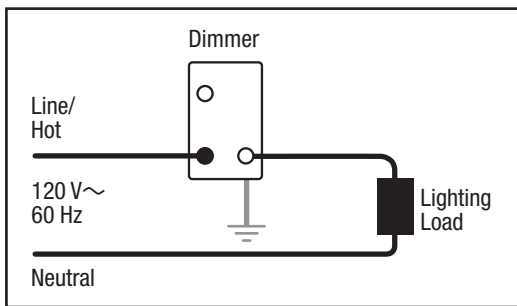
Left (clockwise)
Increases brightness

☀️ Lutron, Lutron, Ariadni, C•L, and Claro are trademarks of Lutron Electronics Co., Inc., registered in the U.S. and other countries. HED is a trademark of Lutron Electronics Co., Inc.

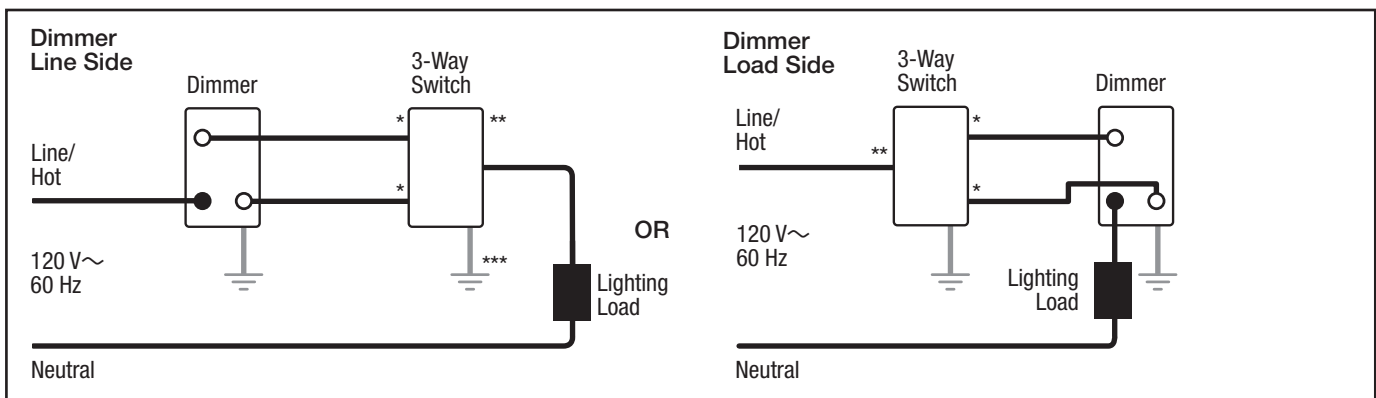
Job Name:	Model Numbers:
Job Number:	

Wiring Diagrams

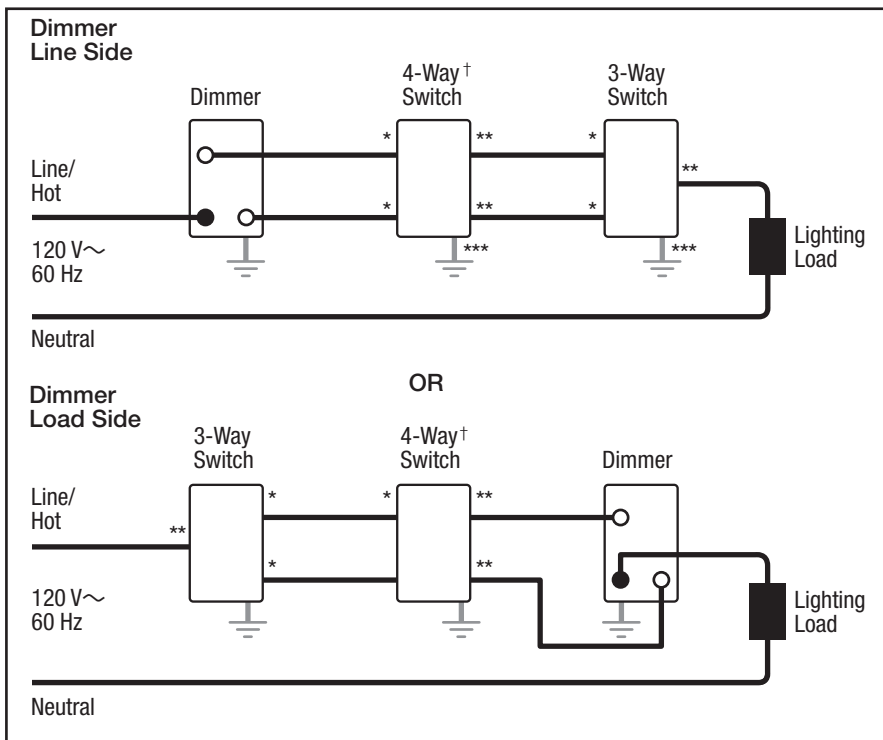
Single-Pole Wiring



3-Way Wiring



4-Way Wiring



- * or Copper/Black screw terminal
- ** or Brass/Gold screw terminal
- *** or Green screw terminal
- † Please refer to switch instruction sheet for proper wiring.

Note for 4-Way Wiring:
 Dimmer must be installed Line Side or Load Side. It cannot be installed in the 4-way location.

Job Name:	Model Numbers:
Job Number:	

Ariadni C•L Dimmer

Dimmer for CFL, LED, Halogen, and Incandescent dimmable bulbs.

Features

- On/off toggle switch with a captive linear-slide dimmer for a traditional wallplate opening
- HED Technology: Advanced Lutron dimming circuitry designed for compatibility with most high efficacy light bulbs
- UL Listed to control:
 - Dimmable compact fluorescent load (CFL) with integrated ballast
 - Dimmable LED with integrated driver
 - Halogen
 - Incandescent
- Low-end adjustment to accommodate a wide range of bulbs
- 100% factory tested

Application Requirements

- **When dimming CFLs or LEDs, only bulbs marked or rated as DIMMABLE may be used.**
- For a complete list of compatible DIMMABLE CFLs and LEDs please visit www.lutron.com/dimcflled. For questions call 1.800.523.9466.
- Some DIMMABLE CFLs and LEDs require a minimum number of bulbs for proper operation. For details and a list of bulbs, please visit www.lutron.com/dimcflled.

Model Numbers

AYCL-153P-XX^{1,2} Single pole/3-way³
 AYCL-153PH-XX-C⁴ Single pole/3-way³

¹ "XX" in the model number represents color/finish code; see "Colors and Finishes" chart on next page.
² For clamshell packaging, add "H" after "153P".
³ For 3-way and 4-way switching, use Claro switches or other mechanical switches.
⁴ Clamshell packaged product for Canada.



* Wallplate sold separately

Job Name:	Model Numbers:
Job Number:	

Specifications

Regulatory Approvals

- UL Listed to US and Canadian safety requirements UL1472 / CSA C22.2 184.1
- NOM

Power and Ratings

- 120 V~ 60 Hz
- 150 W dimmable CFL/LED
- or**
- 600 W Incandescent/Halogen
- or**
- Mixed bulb type per **Multigang and Mixed Bulb Type Ratings** table (see page 3)

Environment

- For indoor use only.
- Operating temperatures 0 °C to 40 °C (32 °F to 104 °F).

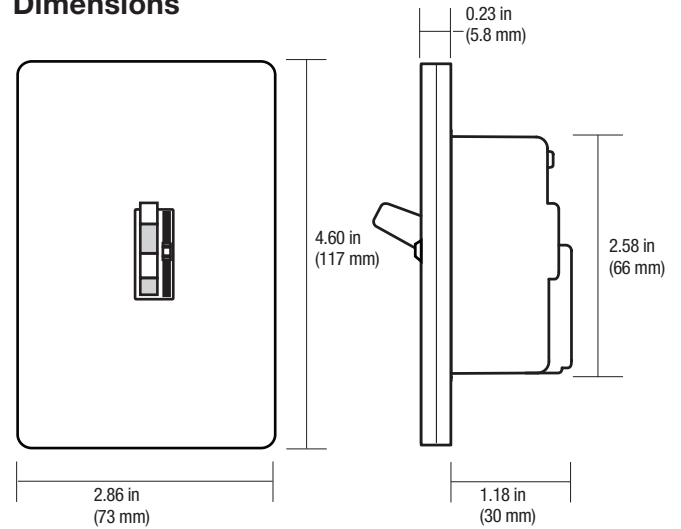
Performance

- Power-failure memory
- Captive linear slider
- Electrostatic discharge tested
- Precise color matching
- Mechanical air-gap switch to disconnect load power

Warranty

- 1 Year Limited Warranty
- For additional Warranty information, please visit www.lutron.com/TechnicalDocumentLibrary/369-119_Wallbox_Warranty.pdf

Dimensions



Colors and Finishes

Gloss Finishes

Add color/finish code to model #

Example: AYCL-153P-WH

WH	White
IV	Ivory
AL	Almond
LA	Light Almond
BR	Brown
BL	Black

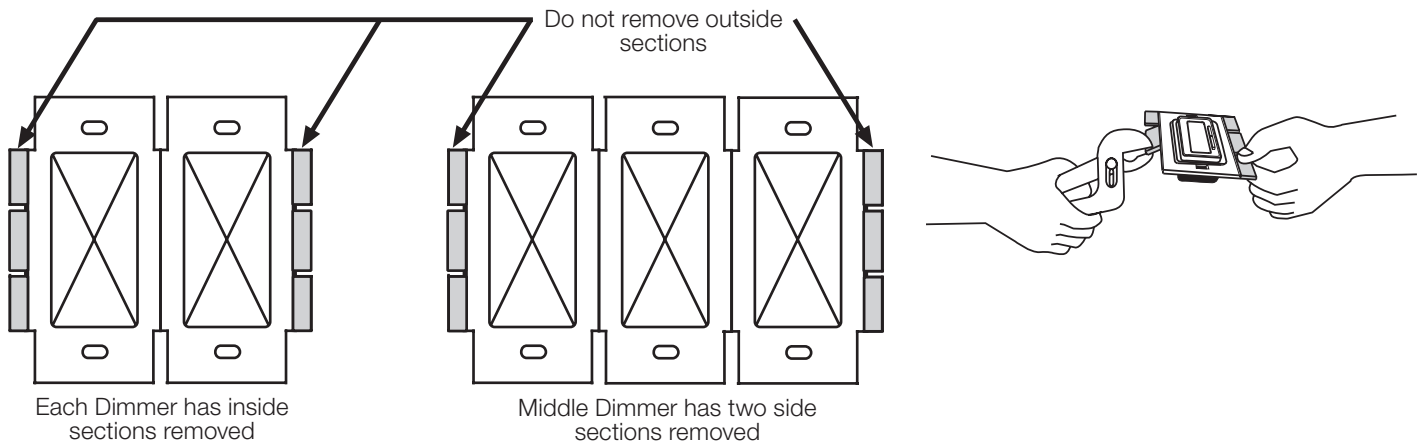
Job Name:	Model Numbers:
Job Number:	

Multigang and Mixed-Bulb-Type Ratings

When installing more than one Dimmer in the same wallbox, it may be necessary to remove some side sections prior to wiring (**see diagram**). Removal of Dimmer side sections may reduce maximum wattage, as shown in the chart below.

Mixing bulb types (**using a combination of CFL/LED, and Incandescent/Halogen bulbs**) will also affect the maximum ratings, as shown in the chart below.

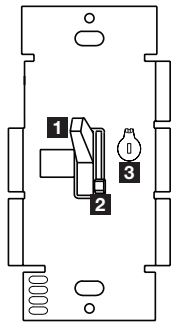
*EXAMPLE: If one set of side sections is removed and you have two 24 W CFL bulbs installed (Total CFL Wattage = 48 W), you may add up to 300 W of incandescent or halogen lighting.



Total CFL/LED Wattage Installed (Wattage per bulb x # of bulbs)	CFL LED	Maximum Allowable Incandescent/Halogen Wattage		
		No sides removed	1 side removed	2 sides removed
0 W	+	600 W	500 W	400 W
1 W – 25 W	+	500 W	400 W	300 W
26 W – 50 W	+	400 W	300 W	200 W
51 W – 75 W	+	300 W	200 W	100 W
76 W – 100 W	+	200 W	100 W	50 W
101 W – 125 W	+	100 W	50 W	0 W
126 W – 150 W	+	0 W	0 W	0 W

Job Name:	Model Numbers:
Job Number:	

Operation (View with wallplate removed)



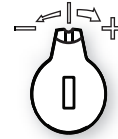
1 Switch
Turns lights ON and OFF.

2 Slider
Controls light level.
+ Up
Increases light level
- Down
Decreases light level
IMPORTANT: Set slider to bottom before adjusting dimming range.

Lever-type Adjustment Dial

3 Adjustment lever
Sets low end dimming limit.

Right (clockwise)
Increases brightness



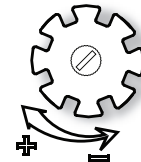
Left (counter-clockwise)
Decreases brightness

OR

Wheel-type Adjustment Dial

3 Adjustment dial
Sets low end dimming limit.

Right (counter-clockwise)
Decreases brightness



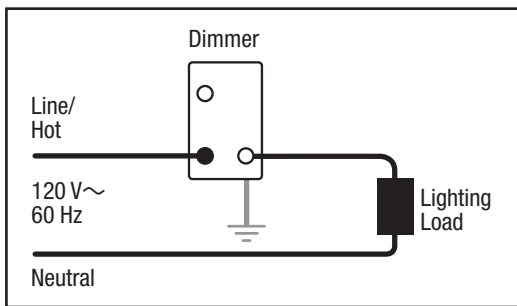
Left (clockwise)
Increases brightness

Lutron, Lutron, Ariadni, C•L, and Claro are trademarks of Lutron Electronics Co., Inc., registered in the U.S. and other countries. HED is a trademark of Lutron Electronics Co., Inc.

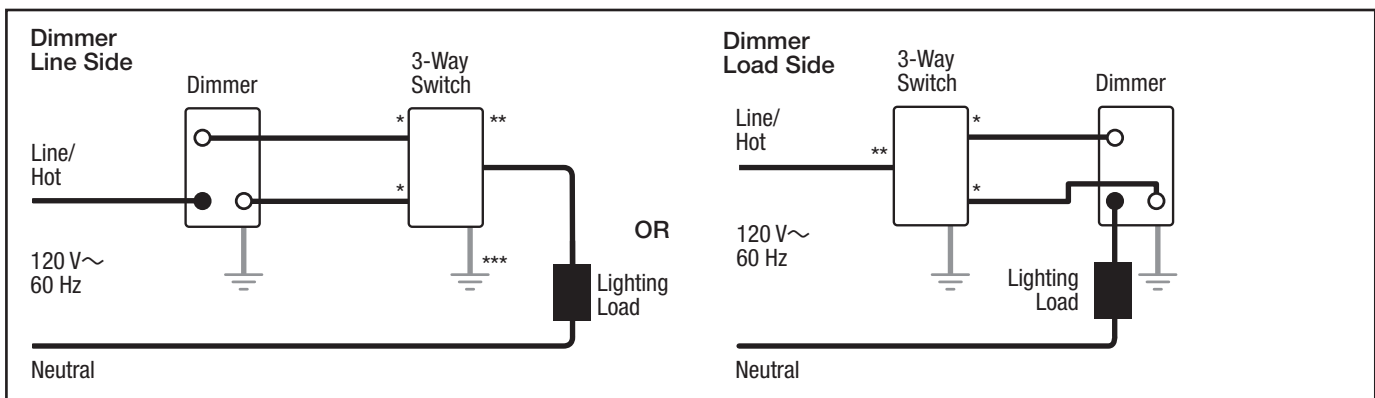
Job Name:	Model Numbers:
Job Number:	

Wiring Diagrams

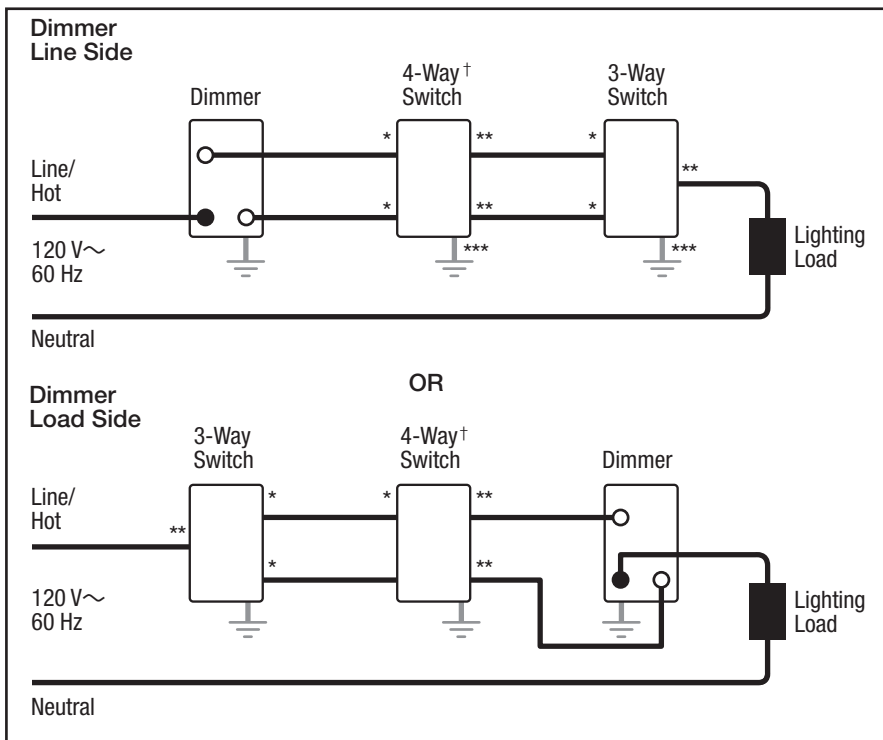
Single-Pole Wiring



3-Way Wiring



4-Way Wiring



- * or Copper/Black screw terminal
- ** or Brass/Gold screw terminal
- *** or Green screw terminal
- † Please refer to switch instruction sheet for proper wiring.

Note for 4-Way Wiring:
Dimmer must be installed Line Side or Load Side. It cannot be installed in the 4-way location.

Job Name:	Model Numbers:
Job Number:	