



SPECIFICATIONS  
**AK55LHSG**  
 EXHAUST FAN HOUSING

**Combination Heater Housing**

• **Fan Housing**

23 gauge galvanized steel housing.  
 Dimensions 14½" x 8⅜" x 6½".

• **Duct Collar**

4" round, zinc plated metal collar adapter with aluminum backdraft damper.

• **Unit Mounting**

Designed for ceilings insulated to R-40. Designed to mount in ceilings with at least 7½" of clearance. The unit will mount between joists (with 16" centers) or butted up against a joist. The housing will mount through drywall thickness up to ¾", with a rough in opening of 14¾" x 8⅝".

• **Electrical Connections**

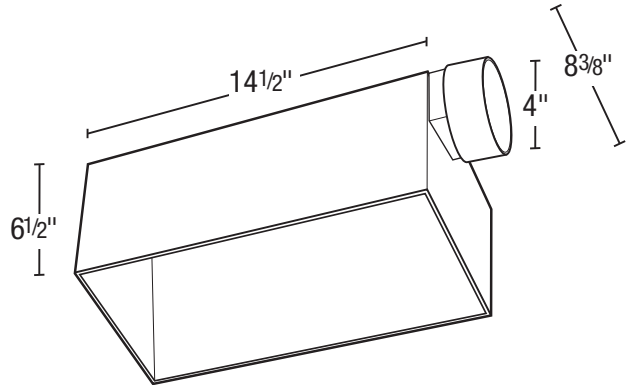
½" electrical knockouts provided.

• **Available Trim Kits**

**AK55LT:** 150 CFM

• **Shipping Info**

Number of Housings in Box: 1  
 UPC Code: 083162901019



**Housing ONLY. Must be combined with AK55LT trim kit (sold separately)**

<b>PROJECT</b>					<b>ARCHITECT</b>				
<b>LOCATION</b>					<b>ENGINEER</b>				
<b>CONTRACTOR</b>					<b>SUBMITTED BY</b>			<b>DATE</b>	
FAN NUMBER	MODEL NUMBER	CFM	IN W.G.	RPM	WATTS	AMPS	SONES	QTY	OPTIONAL EQUIPMENT & REMARKS



820 Lincoln Avenue  
 West Chester, Pennsylvania 19380-4466  
 Tel: (610) 692-7400 • 877-304-3785  
 Fax: (610) 696-8048



SPECIFICATIONS  
**AK55LHSG**  
 EXHAUST FAN HOUSING

**Combination Heater Housing**

• **Fan Housing**

23 gauge galvanized steel housing.  
 Dimensions 14½" x 8⅜" x 6½".

• **Duct Collar**

4" round, zinc plated metal collar adapter with aluminum backdraft damper.

• **Unit Mounting**

Designed for ceilings insulated to R-40. Designed to mount in ceilings with at least 7½" of clearance. The unit will mount between joists (with 16" centers) or butted up against a joist. The housing will mount through drywall thickness up to ¾", with a rough in opening of 14¾" x 8⅝".

• **Electrical Connections**

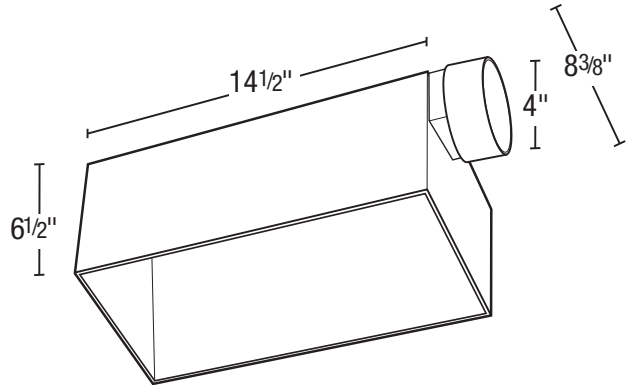
½" electrical knockouts provided.

• **Available Trim Kits**

**AK55LT:** 150 CFM

• **Shipping Info**

Number of Housings in Box: 1  
 UPC Code: 083162901019



**Housing ONLY. Must be combined with AK55LT trim kit (sold separately)**

<b>PROJECT</b>					<b>ARCHITECT</b>				
<b>LOCATION</b>					<b>ENGINEER</b>				
<b>CONTRACTOR</b>					<b>SUBMITTED BY</b>			<b>DATE</b>	
FAN NUMBER	MODEL NUMBER	CFM	IN W.G.	RPM	WATTS	AMPS	SONES	QTY	OPTIONAL EQUIPMENT & REMARKS



820 Lincoln Avenue  
 West Chester, Pennsylvania 19380-4466  
 Tel: (610) 692-7400 • 877-304-3785  
 Fax: (610) 696-8048