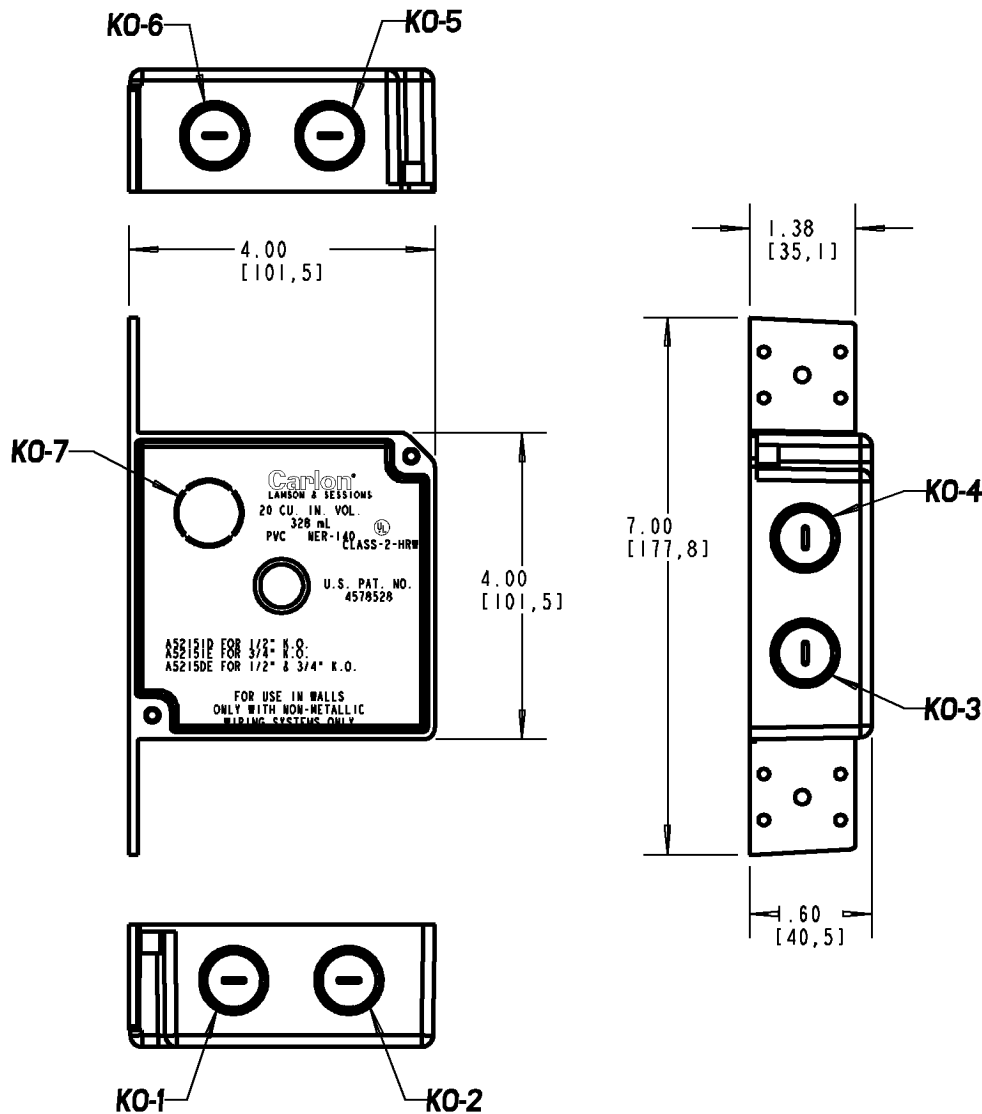


Carlton®



| SIZE | PART NO. | KO-1 | KO-2 | KO-3 | KO-4 | KO-5 | KO-6 | KO-7 |
|-------------|--------------------------|------------------|------------------|------------------|------------------|------------------|------------------|-----------------|
| 1/2" | A52151D A52151DR-CAR | ∅ .88 [22.2] | ∅ .88 [22.2] | ∅ .88 [22.2] | ∅ .88 [22.2] | ∅ .88 [22.2] | ∅ .88 [22.2] | ∅ .88 [22.2] |
| 3/4" | A52151E A52151ER-CAR | ∅ 1.11 [27.7] | ∅ 1.11 [27.7] | ∅ 1.11 [27.7] | ∅ 1.11 [27.7] | ∅ 1.11 [27.7] | ∅ 1.11 [27.7] | ∅ .88 [22.2] |
| 1/2" & 3/4" | A52151DE A52151DE-CAR | ∅ .88 [22.2] | ∅ 1.11 [27.7] | ∅ 1.11 [27.7] | ∅ .88 [22.2] | ∅ .88 [22.2] | ∅ 1.11 [27.7] | ∅ .88 [22.2] |

GENERAL NOTES

- ALL DIMENSIONS ARE FOR REFERENCE ONLY.
- DIMENSIONS IN BRACKETS [] ARE IN METRIC UNITS.

REVISIONS

*** SEE ERN (****) FOR APPROVAL SIGNATURES & RELEASE DATE. PROJECT NO: ****

Thomas & Betts
www.tnb.com

DESCRIPTION:

**4" SQ. SHALLOW BOX
W/KNOCKOUTS**

ORIGINAL PROJECT NO / (ERN NO)

/ ()

SHEET NO:

1 OF 1

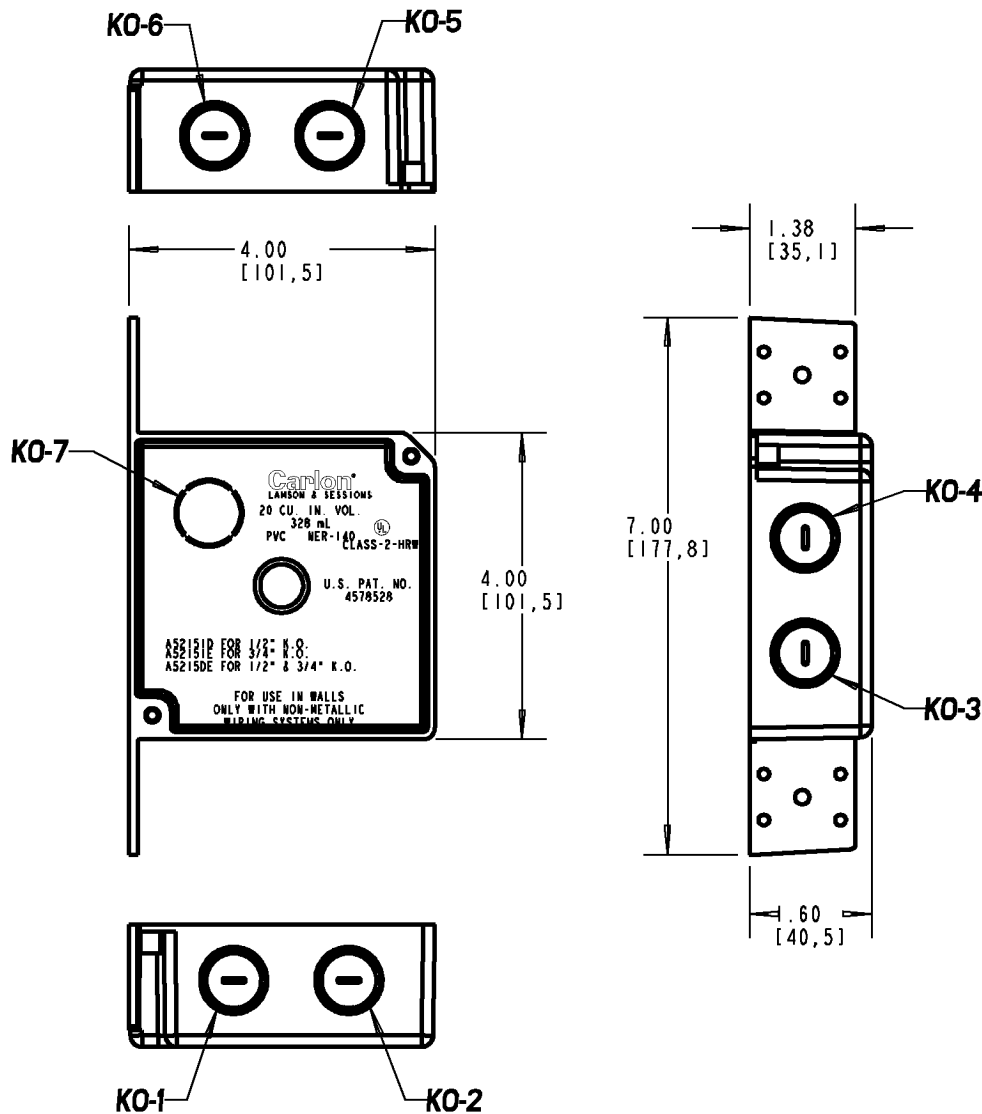
REV. NO:

A

DRAWING NO:

WSD-AC04140

Carlton®



| SIZE | PART NO. | KO-1 | KO-2 | KO-3 | KO-4 | KO-5 | KO-6 | KO-7 |
|-------------|--------------------------|------------------|------------------|------------------|------------------|------------------|------------------|-----------------|
| 1/2" | A52151D A52151DR-CAR | ∅ .88 [22.2] | ∅ .88 [22.2] | ∅ .88 [22.2] | ∅ .88 [22.2] | ∅ .88 [22.2] | ∅ .88 [22.2] | ∅ .88 [22.2] |
| 3/4" | A52151E A52151ER-CAR | ∅ 1.11 [27.7] | ∅ 1.11 [27.7] | ∅ 1.11 [27.7] | ∅ 1.11 [27.7] | ∅ 1.11 [27.7] | ∅ 1.11 [27.7] | ∅ .88 [22.2] |
| 1/2" & 3/4" | A52151DE A52151DE-CAR | ∅ .88 [22.2] | ∅ 1.11 [27.7] | ∅ 1.11 [27.7] | ∅ .88 [22.2] | ∅ .88 [22.2] | ∅ 1.11 [27.7] | ∅ .88 [22.2] |

GENERAL NOTES

- ALL DIMENSIONS ARE FOR REFERENCE ONLY.
- DIMENSIONS IN BRACKETS [] ARE IN METRIC UNITS.

REVISIONS

*** SEE ERN (****) FOR APPROVAL SIGNATURES & RELEASE DATE.
PROJECT NO: ****

Thomas & Betts
www.tnb.com

DESCRIPTION:

**4" SQ. SHALLOW BOX
W/KNOCKOUTS**

ORIGINAL PROJECT NO / (ERN NO)

/ ()

SHEET NO:

1 OF 1

REV. NO:

A

DRAWING NO:

WSD-AC04140