

CONTINUOUS HINGE WITH CLAMPS, TYPE 4

INDUSTRY STANDARDS

UL 508A Listed; Type 4, 12, 13; File No. E61997
 cUL Listed per CSA C22.2 No. 94; Type 4, 12, 13; File No. E61997

NEMA/EEMAC Type 3, 4, 12, and 13
 CSA, File No. 42186: Type 4 and 12
 IEC 60529, IP66

APPLICATION

These single-door enclosures feature a hinged door with clamps on three sides to create a secure seal in indoor or outdoor environments. The gray polyester powder finish inside and out provides enhanced corrosion protection in outdoor applications.

SPECIFICATIONS

- 16 or 14 gauge steel
- Seams continuously welded and ground smooth
- External welded-on mounting brackets for easy installation
- Formed external flanges around all sides of enclosure opening
- Stainless steel screw-down clamps on three sides of door
- Removable heavy gauge stainless steel continuous hinge pin
- Removable door with continuous hinge for strength and ruggedness
- Hasp and staple for padlocking
- Data pocket is high-impact thermoplastic
- Collar studs for mounting optional panels
- Bonding provision on door
- Seamless foam-in-place gasket

FINISH

ANSI 61 gray polyester powder paint inside and out

ACCESSORIES

Panels for Type 3R, 4, 4X, 12 and 13 Enclosures
 Industrial Corrosion Inhibitors
 Fast-Operating Clamp Assembly
 PANELITE Enclosure Lights
 Steel and Stainless Steel Window Kits
 HOL-SEALERS Hole Seals
 TFP Side-Mount Fans
 HF Side-Mount Filter Fans

MODIFICATION AND CUSTOMIZATION

Hoffman excels at modifying and customizing products to your specifications. Contact your local Hoffman sales office or distributor for complete information.

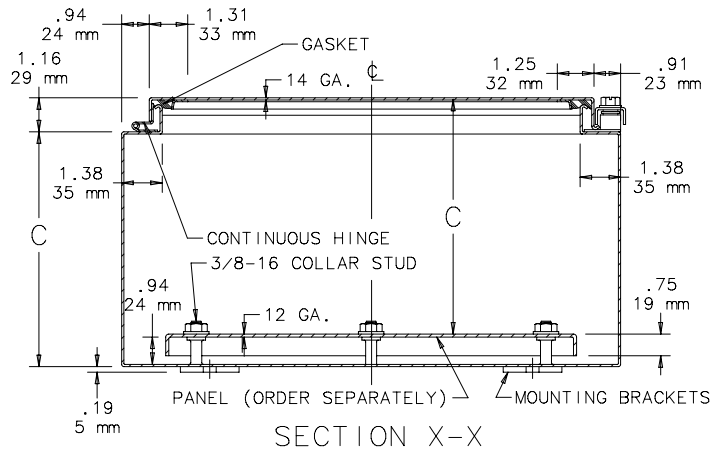
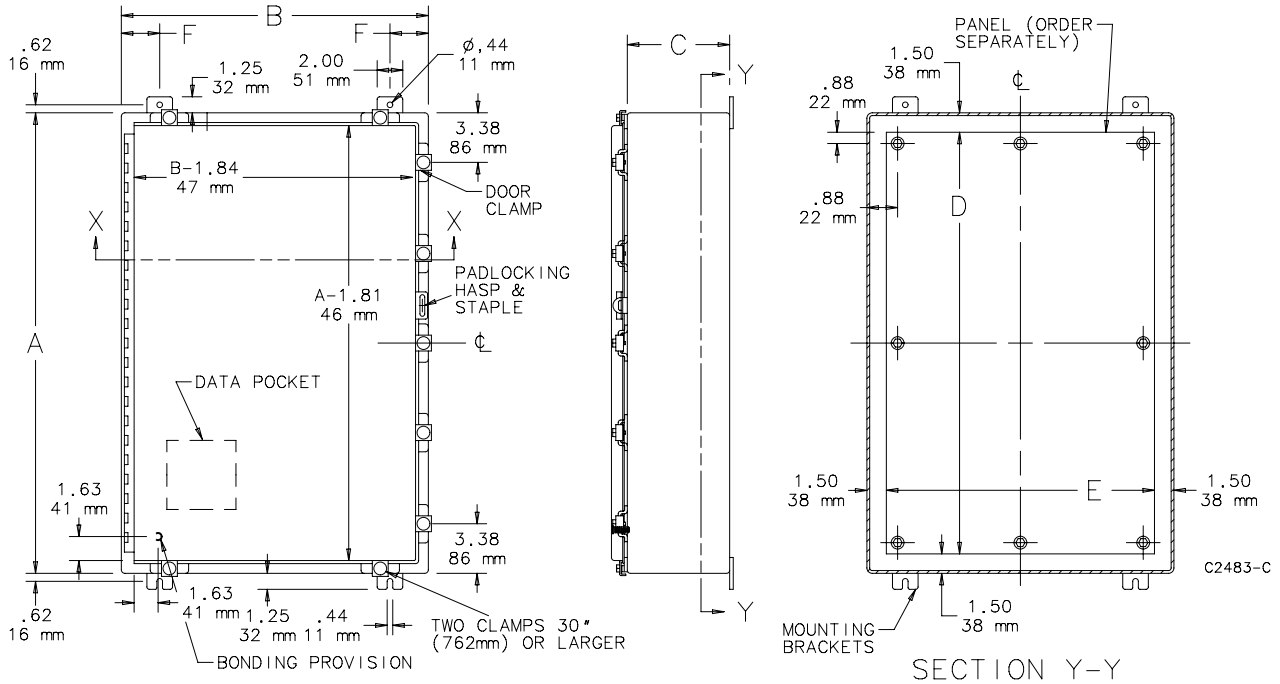
BULLETIN: A4

Standard Product

Catalog Number	AxBxC in.	AxBxC mm	Body Gauge	Panel	Conductive Panel	Panel Size D x E (in.)	Panel Size D x E (mm)	F (in.)	F (mm)	Number of Clamps	Data Pocket
A16H12ALP	16.00 x 12.00 x 6.00	406 x 305 x 152	16	A16P12	A16P12G	13.00 x 9.00	330 x 229	1.25	32	4	Small
A16H16ALP	16.00 x 16.00 x 6.00	406 x 406 x 152	16	A16P16	A16P16G	13.00 x 13.00	330 x 330	3.00	76	4	Small
A16H20ALP	16.00 x 20.00 x 6.00	406 x 508 x 152	16	A20P16	A20P16G	17.00 x 13.00	432 x 330	3.00	76	4	Small
A20H16ALP	20.00 x 16.00 x 6.00	508 x 406 x 152	16	A20P16	A20P16G	17.00 x 13.00	432 x 330	3.00	76	4	Small
A20H20ALP	20.00 x 20.00 x 6.00	508 x 508 x 152	16	A20P20	A20P20G	17.00 x 17.00	432 x 432	3.00	76	4	Small
A24H12ALP	24.00 x 12.00 x 6.00	610 x 305 x 152	16	A12P24	A12P24G	9.00 x 21.00	229 x 533	1.25	32	5	Small
A24H16ALP	24.00 x 16.00 x 6.00	610 x 406 x 152	16	A24P16	A24P16G	21.00 x 13.00	533 x 330	3.00	76	5	Small
A24H20ALP	24.00 x 20.00 x 6.00	610 x 508 x 152	16	A24P20	A24P20G	21.00 x 17.00	533 x 432	3.00	76	5	Small
A24H24ALP	24.00 x 24.00 x 6.00	610 x 610 x 152	16	A24P24	A24P24G	21.00 x 21.00	533 x 533	3.00	76	5	Small
A30H20ALP	30.00 x 20.00 x 6.00	762 x 508 x 152	14	A30P20	A30P20G	27.00 x 17.00	686 x 432	3.00	76	5	Small
A30H24ALP	30.00 x 24.00 x 6.00	762 x 610 x 152	14	A30P24	A30P24G	27.00 x 21.00	686 x 533	3.00	76	5	Large
A36H24ALP	36.00 x 24.00 x 6.00	914 x 610 x 152	14	A36P24	A36P24G	33.00 x 21.00	838 x 533	3.00	76	5	Large
A16H12BLP	16.00 x 12.00 x 8.00	406 x 305 x 203	16	A16P12	A16P12G	13.00 x 9.00	330 x 229	1.25	32	4	Small
A20H16BLP	20.00 x 16.00 x 8.00	508 x 406 x 203	16	A20P16	A20P16G	17.00 x 13.00	432 x 330	3.00	76	4	Small
A20H20BLP	20.00 x 20.00 x 8.00	508 x 508 x 203	16	A20P20	A20P20G	17.00 x 17.00	432 x 432	3.00	76	4	Small
A24H24BLP	20.00 x 24.00 x 8.00	508 x 610 x 203	16	A24P20	A24P20G	21.00 x 17.00	533 x 432	3.00	76	4	Small
A24H20BLP	24.00 x 20.00 x 8.00	610 x 508 x 203	16	A24P20	A24P20G	21.00 x 17.00	533 x 432	3.00	76	5	Small
A24H24BLP	24.00 x 24.00 x 8.00	610 x 610 x 203	16	A24P24	A24P24G	21.00 x 21.00	533 x 533	3.00	76	5	Small
A24H30BLP	24.00 x 30.00 x 8.00	610 x 762 x 203	14	A30P24	A30P24G	27.00 x 21.00	686 x 533	3.00	76	7	Small
A30H20BLP	30.00 x 20.00 x 8.00	762 x 508 x 203	14	A30P20	A30P20G	27.00 x 17.00	686 x 432	3.00	76	5	Small
A30H24BLP	30.00 x 24.00 x 8.00	762 x 610 x 203	14	A30P24	A30P24G	27.00 x 21.00	686 x 533	3.00	76	5	Large
A30H30BLP	30.00 x 30.00 x 8.00	762 x 762 x 203	14	A30P30	A30P30G	27.00 x 27.00	686 x 686	3.00	76	7	Large
A36H24BLP	36.00 x 24.00 x 8.00	914 x 610 x 203	14	A36P24	A36P24G	33.00 x 21.00	838 x 533	3.00	76	5	Large
A36H30BLP	36.00 x 30.00 x 8.00	914 x 762 x 203	14	A36P30	A36P30G	33.00 x 27.00	838 x 686	3.00	76	7	Large
A42H30BLP	42.00 x 30.00 x 8.00	1067 x 762 x 203	14	A42P30	A42P30G	39.00 x 27.00	991 x 686	3.00	76	8	Small
A42H36BLP	42.00 x 36.00 x 8.00	1067 x 914 x 203	14	A42P36	A42P36G	39.00 x 33.00	991 x 838	3.00	76	8	Large
A48H36BLP	48.00 x 36.00 x 8.00	1219 x 914 x 203	14	A48P36	A48P36G	45.00 x 33.00	1143 x 838	3.00	76	8	Large
A60H36BLP	60.00 x 36.00 x 8.00	1524 x 914 x 203	14	A60P36	A60P36G	57.00 x 33.00	1448 x 838	3.00	76	9	Large
A20H16CLP	20.00 x 16.00 x 10.00	508 x 406 x 254	14	A20P16	A20P16G	17.00 x 13.00	432 x 330	3.00	76	4	Small
A24H20CLP	24.00 x 20.00 x 10.00	610 x 508 x 254	14	A24P20	A24P20G	21.00 x 17.00	533 x 432	3.00	76	5	Small
A30H24CLP	30.00 x 24.00 x 10.00	762 x 610 x 254	14	A30P24	A30P24G	27.00 x 21.00	686 x 533	3.00	76	5	Large
A36H30CLP	36.00 x 30.00 x 10.00	914 x 762 x 254	14	A36P30	A36P30G	33.00 x 27.00	838 x 686	3.00	76	7	Large
A48H30CLP	48.00 x 30.00 x 10.00	1219 x 762 x 254	14	A48P30	A48P30G	45.00 x 27.00	1143 x 686	3.00	76	8	Small
A48H36CLP	48.00 x 36.00 x 10.00	1219 x 914 x 254	14	A48P36	A48P36G	45.00 x 33.00	1143 x 838	3.00	76	8	Large
A60H36CLP	60.00 x 36.00 x 10.00	1524 x 914 x 254	14	A60P36	A60P36G	57.00 x 33.00	1448 x 838	3.00	76	9	Large
A30H24DLP	30.00 x 24.00 x 12.00	762 x 610 x 305	14	A30P24	A30P24G	27.00 x 21.00	686 x 533	3.00	76	5	Large
A36H30DLP	36.00 x 30.00 x 12.00	914 x 762 x 305	14	A36P30	A36P30G	33.00 x 27.00	838 x 686	3.00	76	7	Large
A48H36DLP	48.00 x 36.00 x 12.00	1219 x 914 x 305	14	A48P36	A48P36G	45.00 x 33.00	1143 x 838	3.00	76	8	Large

Catalog Number	AxBxC in.	AxBxC mm	Body Gauge	Panel	Conductive Panel	Panel Size D x E (in.)	Panel Size D x E (mm)	F (in.)	F (mm)	Number of Clamps	Data Pocket
A36H30FLP	36.00 x 30.00 x 16.00	914 x 762 x 406	14	A36P30	A36P30G	33.00 x 27.00	838 x 686	3.00	76	7	Large
A48H36FLP	48.00 x 36.00 x 16.00	1219 x 914 x 406	14	48P36	A48P36G	45.00 x 33.00	1143 x 838	3.00	76	8	Large
A60H36FLP	60.00 x 36.00 x 16.00	1524 x 914 x 406	14	A60P36	A60P36G	57.00 x 33.00	1448 x 838	3.00	76	9	Large

Purchase panels separately. Optional stainless steel, conductive, composite and aluminum panels are available for most sizes.



CONTINUOUS HINGE WITH CLAMPS, TYPE 4

INDUSTRY STANDARDS

UL 508A Listed; Type 4, 12, 13; File No. E61997
 cUL Listed per CSA C22.2 No. 94; Type 4, 12, 13; File No. E61997

NEMA/EEMAC Type 3, 4, 12, and 13
 CSA, File No. 42186: Type 4 and 12
 IEC 60529, IP66

APPLICATION

These single-door enclosures feature a hinged door with clamps on three sides to create a secure seal in indoor or outdoor environments. The gray polyester powder finish inside and out provides enhanced corrosion protection in outdoor applications.

SPECIFICATIONS

- 16 or 14 gauge steel
- Seams continuously welded and ground smooth
- External welded-on mounting brackets for easy installation
- Formed external flanges around all sides of enclosure opening
- Stainless steel screw-down clamps on three sides of door
- Removable heavy gauge stainless steel continuous hinge pin
- Removable door with continuous hinge for strength and ruggedness
- Hasp and staple for padlocking
- Data pocket is high-impact thermoplastic
- Collar studs for mounting optional panels
- Bonding provision on door
- Seamless foam-in-place gasket

FINISH

ANSI 61 gray polyester powder paint inside and out

ACCESSORIES

Panels for Type 3R, 4, 4X, 12 and 13 Enclosures
 Industrial Corrosion Inhibitors
 Fast-Operating Clamp Assembly
 PANELITE Enclosure Lights
 Steel and Stainless Steel Window Kits
 HOL-SEALERS Hole Seals
 TFP Side-Mount Fans
 HF Side-Mount Filter Fans

MODIFICATION AND CUSTOMIZATION

Hoffman excels at modifying and customizing products to your specifications. Contact your local Hoffman sales office or distributor for complete information.

BULLETIN: A4

Standard Product

Catalog Number	AxBxC in.	AxBxC mm	Body Gauge	Panel	Conductive Panel	Panel Size D x E (in.)	Panel Size D x E (mm)	F (in.)	F (mm)	Number of Clamps	Data Pocket
A16H12ALP	16.00 x 12.00 x 6.00	406 x 305 x 152	16	A16P12	A16P12G	13.00 x 9.00	330 x 229	1.25	32	4	Small
A16H16ALP	16.00 x 16.00 x 6.00	406 x 406 x 152	16	A16P16	A16P16G	13.00 x 13.00	330 x 330	3.00	76	4	Small
A16H20ALP	16.00 x 20.00 x 6.00	406 x 508 x 152	16	A20P16	A20P16G	17.00 x 13.00	432 x 330	3.00	76	4	Small
A20H16ALP	20.00 x 16.00 x 6.00	508 x 406 x 152	16	A20P16	A20P16G	17.00 x 13.00	432 x 330	3.00	76	4	Small
A20H20ALP	20.00 x 20.00 x 6.00	508 x 508 x 152	16	A20P20	A20P20G	17.00 x 17.00	432 x 432	3.00	76	4	Small
A24H12ALP	24.00 x 12.00 x 6.00	610 x 305 x 152	16	A12P24	A12P24G	9.00 x 21.00	229 x 533	1.25	32	5	Small
A24H16ALP	24.00 x 16.00 x 6.00	610 x 406 x 152	16	A24P16	A24P16G	21.00 x 13.00	533 x 330	3.00	76	5	Small
A24H20ALP	24.00 x 20.00 x 6.00	610 x 508 x 152	16	A24P20	A24P20G	21.00 x 17.00	533 x 432	3.00	76	5	Small
A24H24ALP	24.00 x 24.00 x 6.00	610 x 610 x 152	16	A24P24	A24P24G	21.00 x 21.00	533 x 533	3.00	76	5	Small
A30H20ALP	30.00 x 20.00 x 6.00	762 x 508 x 152	14	A30P20	A30P20G	27.00 x 17.00	686 x 432	3.00	76	5	Small
A30H24ALP	30.00 x 24.00 x 6.00	762 x 610 x 152	14	A30P24	A30P24G	27.00 x 21.00	686 x 533	3.00	76	5	Large
A36H24ALP	36.00 x 24.00 x 6.00	914 x 610 x 152	14	A36P24	A36P24G	33.00 x 21.00	838 x 533	3.00	76	5	Large
A16H12BLP	16.00 x 12.00 x 8.00	406 x 305 x 203	16	A16P12	A16P12G	13.00 x 9.00	330 x 229	1.25	32	4	Small
A20H16BLP	20.00 x 16.00 x 8.00	508 x 406 x 203	16	A20P16	A20P16G	17.00 x 13.00	432 x 330	3.00	76	4	Small
A20H20BLP	20.00 x 20.00 x 8.00	508 x 508 x 203	16	A20P20	A20P20G	17.00 x 17.00	432 x 432	3.00	76	4	Small
A24H24BLP	20.00 x 24.00 x 8.00	508 x 610 x 203	16	A24P20	A24P20G	21.00 x 17.00	533 x 432	3.00	76	4	Small
A24H20BLP	24.00 x 20.00 x 8.00	610 x 508 x 203	16	A24P20	A24P20G	21.00 x 17.00	533 x 432	3.00	76	5	Small
A24H24BLP	24.00 x 24.00 x 8.00	610 x 610 x 203	16	A24P24	A24P24G	21.00 x 21.00	533 x 533	3.00	76	5	Small
A24H30BLP	24.00 x 30.00 x 8.00	610 x 762 x 203	14	A30P24	A30P24G	27.00 x 21.00	686 x 533	3.00	76	7	Small
A30H20BLP	30.00 x 20.00 x 8.00	762 x 508 x 203	14	A30P20	A30P20G	27.00 x 17.00	686 x 432	3.00	76	5	Small
A30H24BLP	30.00 x 24.00 x 8.00	762 x 610 x 203	14	A30P24	A30P24G	27.00 x 21.00	686 x 533	3.00	76	5	Large
A30H30BLP	30.00 x 30.00 x 8.00	762 x 762 x 203	14	A30P30	A30P30G	27.00 x 27.00	686 x 686	3.00	76	7	Large
A36H24BLP	36.00 x 24.00 x 8.00	914 x 610 x 203	14	A36P24	A36P24G	33.00 x 21.00	838 x 533	3.00	76	5	Large
A36H30BLP	36.00 x 30.00 x 8.00	914 x 762 x 203	14	A36P30	A36P30G	33.00 x 27.00	838 x 686	3.00	76	7	Large
A42H30BLP	42.00 x 30.00 x 8.00	1067 x 762 x 203	14	A42P30	A42P30G	39.00 x 27.00	991 x 686	3.00	76	8	Small
A42H36BLP	42.00 x 36.00 x 8.00	1067 x 914 x 203	14	A42P36	A42P36G	39.00 x 33.00	991 x 838	3.00	76	8	Large
A48H36BLP	48.00 x 36.00 x 8.00	1219 x 914 x 203	14	A48P36	A48P36G	45.00 x 33.00	1143 x 838	3.00	76	8	Large
A60H36BLP	60.00 x 36.00 x 8.00	1524 x 914 x 203	14	A60P36	A60P36G	57.00 x 33.00	1448 x 838	3.00	76	9	Large
A20H16CLP	20.00 x 16.00 x 10.00	508 x 406 x 254	14	A20P16	A20P16G	17.00 x 13.00	432 x 330	3.00	76	4	Small
A24H20CLP	24.00 x 20.00 x 10.00	610 x 508 x 254	14	A24P20	A24P20G	21.00 x 17.00	533 x 432	3.00	76	5	Small
A30H24CLP	30.00 x 24.00 x 10.00	762 x 610 x 254	14	A30P24	A30P24G	27.00 x 21.00	686 x 533	3.00	76	5	Large
A36H30CLP	36.00 x 30.00 x 10.00	914 x 762 x 254	14	A36P30	A36P30G	33.00 x 27.00	838 x 686	3.00	76	7	Large
A48H30CLP	48.00 x 30.00 x 10.00	1219 x 762 x 254	14	A48P30	A48P30G	45.00 x 27.00	1143 x 686	3.00	76	8	Small
A48H36CLP	48.00 x 36.00 x 10.00	1219 x 914 x 254	14	A48P36	A48P36G	45.00 x 33.00	1143 x 838	3.00	76	8	Large
A60H36CLP	60.00 x 36.00 x 10.00	1524 x 914 x 254	14	A60P36	A60P36G	57.00 x 33.00	1448 x 838	3.00	76	9	Large
A30H24DLP	30.00 x 24.00 x 12.00	762 x 610 x 305	14	A30P24	A30P24G	27.00 x 21.00	686 x 533	3.00	76	5	Large
A36H30DLP	36.00 x 30.00 x 12.00	914 x 762 x 305	14	A36P30	A36P30G	33.00 x 27.00	838 x 686	3.00	76	7	Large
A48H36DLP	48.00 x 36.00 x 12.00	1219 x 914 x 305	14	A48P36	A48P36G	45.00 x 33.00	1143 x 838	3.00	76	8	Large

Catalog Number	AxBxC in.	AxBxC mm	Body Gauge	Panel	Conductive Panel	Panel Size D x E (in.)	Panel Size D x E (mm)	F (in.)	F (mm)	Number of Clamps	Data Pocket
A36H30FLP	36.00 x 30.00 x 16.00	914 x 762 x 406	14	A36P30	A36P30G	33.00 x 27.00	838 x 686	3.00	76	7	Large
A48H36FLP	48.00 x 36.00 x 16.00	1219 x 914 x 406	14	48P36	A48P36G	45.00 x 33.00	1143 x 838	3.00	76	8	Large
A60H36FLP	60.00 x 36.00 x 16.00	1524 x 914 x 406	14	A60P36	A60P36G	57.00 x 33.00	1448 x 838	3.00	76	9	Large

Purchase panels separately. Optional stainless steel, conductive, composite and aluminum panels are available for most sizes.

