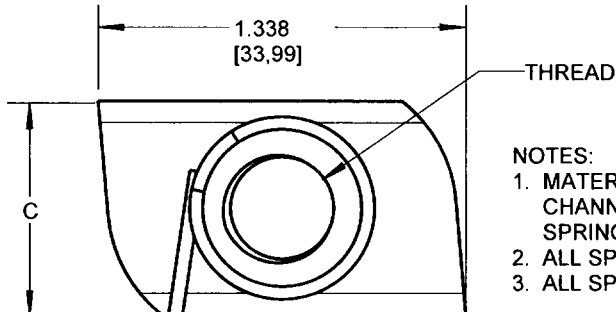
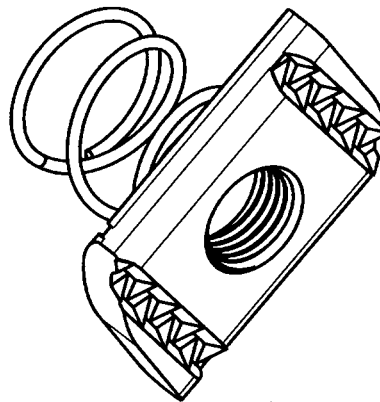
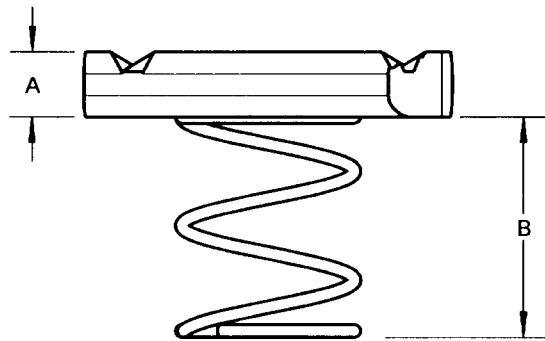



Superstrut



NOTES:

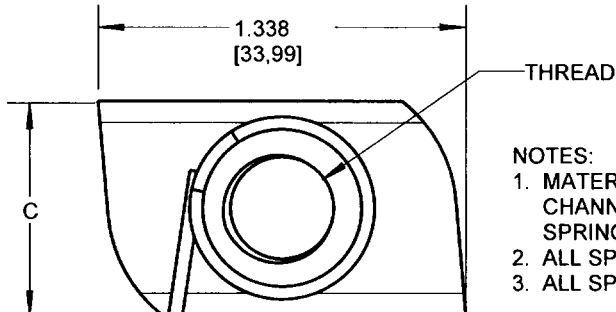
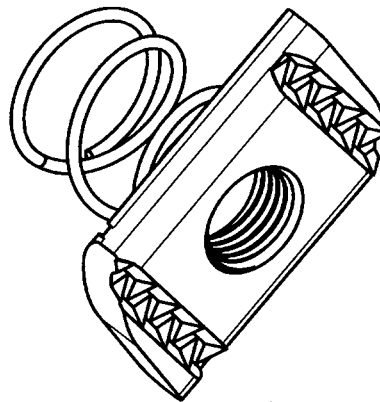
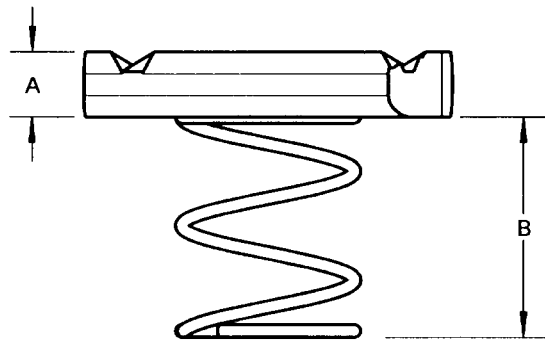
1. MATERIAL:
CHANNEL NUT: CARBON STEEL
SPRING: HARD DRAWN STEEL WIRE
2. ALL SPRINGS SHALL MECHANICALLY ATTACHED TO CHANNEL NUT
3. ALL SPRING NUTS SHALL BE ZINC PLATED

| H100 1/2 | 1/2" UNIVERSAL SPRING NUT | .358 (9.1) | 2.756 (70.0) | .785 (19.9) | 1/2"-13 UNC | ELECTRO-GALV |
|-----------|----------------------------|------------|--------------|--------------|--------------|--------------|
| H100 3/8 | 3/8" UNIVERSAL SPRING NUT | .358 (9.1) | 2.756 (70.0) | .785 (19.9) | 3/8"-16 UNC | ELECTRO-GALV |
| A100 7/8 | 7/8" UNIVERSAL SPRING NUT | .358 (9.1) | 1.535 (39.0) | 1.120 (28.5) | 7/8"-9 UNC | ELECTRO-GALV |
| A100 3/4 | 3/4" UNIVERSAL SPRING NUT | .358 (9.1) | 1.535 (39.0) | 1.120 (28.5) | 3/4"-10 UNC | ELECTRO-GALV |
| A100 5/8 | 5/8" UNIVERSAL SPRING NUT | .358 (9.1) | 1.535 (39.0) | 1.120 (28.5) | 5/8"-11 UNC | ELECTRO-GALV |
| B100 5/16 | 5/16" UNIVERSAL SPRING NUT | .358 (9.1) | .394 (10.0) | .785 (19.9) | 5/16"-16 UNC | ELECTRO-GALV |
| A100 5/16 | 5/16" UNIVERSAL SPRING NUT | .358 (9.1) | 1.535 (39.0) | .785 (19.9) | 5/16"-16 UNC | ELECTRO-GALV |
| B100 1/2 | 1/2" UNIVERSAL SPRING NUT | .358 (9.1) | .394 (10.0) | .785 (19.9) | 1/2"-13 UNC | ELECTRO-GALV |
| A100 1/2 | 1/2" UNIVERSAL SPRING NUT | .358 (9.1) | 1.535 (39.0) | .785 (19.9) | 1/2"-13 UNC | ELECTRO-GALV |
| B100 3/8 | 3/8" UNIVERSAL SPRING NUT | .358 (9.1) | .394 (10.0) | .785 (19.9) | 3/8"-16 UNC | ELECTRO-GALV |
| A100 3/8 | 3/8" UNIVERSAL SPRING NUT | .358 (9.1) | 1.535 (39.0) | .785 (19.9) | 3/8"-16 UNC | ELECTRO-GALV |
| B100 1/4 | 1/4" UNIVERSAL SPRING NUT | .238 (6.1) | .787 (20.0) | .785 (19.9) | 1/4"-20 UNC | ELECTRO-GALV |
| A100 1/4 | 1/4" UNIVERSAL SPRING NUT | .238 (6.1) | 1.535 (39.0) | .785 (19.9) | 1/4"-20 UNC | ELECTRO-GALV |
| CAT # | DESCRIPTION | DIM "A" | DIM "B" | DIM "C" | THREAD | FINISH |

| | | | | | | |
|---|--|--|---|---------------------|---------------|---------------------------|
| GENERAL NOTES | |  A Member of the ABB Group | | | | |
| 1. ALL DIMENSIONS ARE FOR REFERENCE ONLY. 2. DIMENSIONS IN BRACKETS [] ARE IN METRIC UNITS. | | | | | | |
| REVISIONS | | UNIVERSAL SPRING NUT | | | | |
| - SEE ERN (2015003) FOR APPROVAL SIGNATURES & RELEASE DATE. PROJECT NO:004V000518 | | | | | | |
| | | www.tnb.com DESCRIPTION: | ORIGINAL PROJECT NO / (ERN NO) 005D00094 / (2013203) | SHEET NO: 1 OF 1 | REV. NO: 1 | DRAWING NO: WSD-001057 |

THIS DRAWING IS INTENDED FOR DESCRIPTIVE PURPOSES ONLY, AND THE RIGHT IS RESERVED TO DEVIATE FROM ANY OF THE DETAILS SHOWN HEREON.
 COPYRIGHT THOMAS & BETTS CORPORATION. ALL RIGHTS RESERVED. PROPRIETARY AND CONFIDENTIAL.

Superstrut



NOTES:

1. MATERIAL:
CHANNEL NUT: CARBON STEEL
SPRING: HARD DRAWN STEEL WIRE
2. ALL SPRINGS SHALL MECHANICALLY ATTACHED TO CHANNEL NUT
3. ALL SPRING NUTS SHALL BE ZINC PLATED

| H100 1/2 | 1/2" UNIVERSAL SPRING NUT | .358 (9.1) | 2.756 (70.0) | .785 (19.9) | 1/2"-13 UNC | ELECTRO-GALV |
|-----------|----------------------------|------------|--------------|--------------|--------------|--------------|
| H100 3/8 | 3/8" UNIVERSAL SPRING NUT | .358 (9.1) | 2.756 (70.0) | .785 (19.9) | 3/8"-16 UNC | ELECTRO-GALV |
| A100 7/8 | 7/8" UNIVERSAL SPRING NUT | .358 (9.1) | 1.535 (39.0) | 1.120 (28.5) | 7/8"-9 UNC | ELECTRO-GALV |
| A100 3/4 | 3/4" UNIVERSAL SPRING NUT | .358 (9.1) | 1.535 (39.0) | 1.120 (28.5) | 3/4"-10 UNC | ELECTRO-GALV |
| A100 5/8 | 5/8" UNIVERSAL SPRING NUT | .358 (9.1) | 1.535 (39.0) | 1.120 (28.5) | 5/8"-11 UNC | ELECTRO-GALV |
| B100 5/16 | 5/16" UNIVERSAL SPRING NUT | .358 (9.1) | .394 (10.0) | .785 (19.9) | 5/16"-16 UNC | ELECTRO-GALV |
| A100 5/16 | 5/16" UNIVERSAL SPRING NUT | .358 (9.1) | 1.535 (39.0) | .785 (19.9) | 5/16"-16 UNC | ELECTRO-GALV |
| B100 1/2 | 1/2" UNIVERSAL SPRING NUT | .358 (9.1) | .394 (10.0) | .785 (19.9) | 1/2"-13 UNC | ELECTRO-GALV |
| A100 1/2 | 1/2" UNIVERSAL SPRING NUT | .358 (9.1) | 1.535 (39.0) | .785 (19.9) | 1/2"-13 UNC | ELECTRO-GALV |
| B100 3/8 | 3/8" UNIVERSAL SPRING NUT | .358 (9.1) | .394 (10.0) | .785 (19.9) | 3/8"-16 UNC | ELECTRO-GALV |
| A100 3/8 | 3/8" UNIVERSAL SPRING NUT | .358 (9.1) | 1.535 (39.0) | .785 (19.9) | 3/8"-16 UNC | ELECTRO-GALV |
| B100 1/4 | 1/4" UNIVERSAL SPRING NUT | .238 (6.1) | .787 (20.0) | .785 (19.9) | 1/4"-20 UNC | ELECTRO-GALV |
| A100 1/4 | 1/4" UNIVERSAL SPRING NUT | .238 (6.1) | 1.535 (39.0) | .785 (19.9) | 1/4"-20 UNC | ELECTRO-GALV |
| CAT # | DESCRIPTION | DIM "A" | DIM "B" | DIM "C" | THREAD | FINISH |

GENERAL NOTES

1. ALL DIMENSIONS ARE FOR REFERENCE ONLY.
2. DIMENSIONS IN BRACKETS [] ARE IN METRIC UNITS.

www.tnb.com

Thomas & Betts
A Member of the ABB Group

DESCRIPTION:

UNIVERSAL SPRING NUT

REVISIONS

SEE ERN (2015003) FOR APPROVAL SIGNATURES & RELEASE DATE.
PROJECT NO:004V000518

ORIGINAL PROJECT NO / (ERN NO)

005D00094 / (2013203)

SHEET NO:

1 OF 1

REV. NO:

1

DRAWING NO:

WSD-001057

THIS DRAWING IS INTENDED FOR DESCRIPTIVE PURPOSES ONLY. AND THE RIGHT IS RESERVED TO DEVIATE FROM ANY OF THE DETAILS SHOWN HEREON.
COPYRIGHT THOMAS & BETTS CORPORATION. ALL RIGHTS RESERVED. PROPRIETARY AND CONFIDENTIAL