

# SMOKE ALARM

## CAT. 9120B Series



### DUAL IONIZATION

Dual Ionization sensing chamber. Generally more effective at detecting small particles produced by flaming fires. Sources may include paper or kitchen grease.

### LATCHING ALARM INDICATOR

Remembers which unit initiated an alarm.

### SILENCE FEATURE

Silences nuisance alarms.

### TWO LOCKING FEATURES

Pins are provided to lock battery drawer and/or alarm to base. Perfect for apartment, dormitory or hotel applications.

#### Available in the following versions:

- 9120B AC Alarm with silence and battery backup
- 9120AB Same as 9120B but with alkaline battery
- 9120LB Same as 9120B but with lithium battery
- 9120B-48P 48 pack of Boxed 9120B
- 9120B-48B 48 pack of Bulk 9120B
- 9120B6CP Contractor Bulk 6-pack of 9120B Alarm



# BRK®

THE PROFESSIONAL STANDARD

## 120V AC, 60Hz Wire-in with 9V Battery Backup

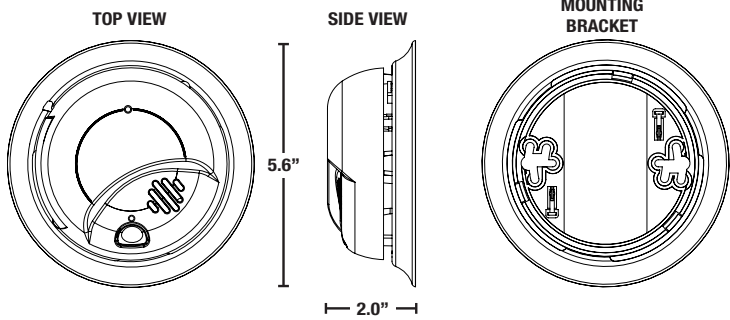
### Description:

The BRK Brands, Inc. model number 9120B is a wire-in, 120V AC 60Hz single and/or multiple station smoke alarm specifically designed for residential and institutional applications including sleeping rooms of hospitals, hotels, motels, dormitories and other multi-family dwellings as defined in standard NFPA 101. The 9120B complies with UL217, CSFM, NFPA 72, HUD, FHA and other agencies that model their codes after the above agencies. It meets building codes where AC/DC with Silence smoke alarms are required. The alarms are interconnectable with up to 18 devices, of which 12 can be smoke alarms.

The BRK® 9120B alarm features a dual ionization smoke sensing chamber, an 85dB horn, 9V battery backup and a "silence" feature. The "Smart Technology" system is designed to reduce nuisance alarms. "Latching Alarm Indication" remembers which unit initiated an alarm. When interconnected in a series, the unit that triggered the alarm rapidly flashes its red LED indicator. After the alarm condition subsides, the initiating unit will store in memory or "latch" the information and begin to flash the LED indicator 2 seconds on, 2 seconds off. The "Perfect Mount" system features a gasketless base and a mounting bracket that keeps the alarm secure over a wide rotation range to allow for true alignment. Other Contractor Preferred features include a dust cover to keep alarm clean during construction, keyhole slots in the mounting bracket eliminate the need to remove the electrical box screws for installation. Two locking features are provided to prevent battery theft and/or theft of the unit. Connection to AC power is made with a "Quick-Connect" wiring harness. Installation is quick, easy and cost effective.



# CAT. 9120B Series



## ARCHITECTURAL AND ENGINEERING SPEC

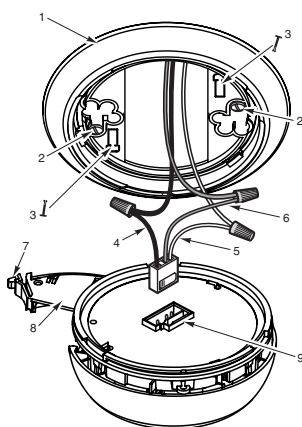
The smoke alarm shall be a BRK Model 9120B and shall provide at a minimum the following features and functions:

1. A dual ionization sensing chamber.
2. The unit shall be capable of self restoring.
3. Powered by 120V AC, 60Hz and have a monitored 9V battery backup and a solid state piezo horn rated at 85dB at 10 ft.
4. A visual LED power-on indicator to confirm unit is receiving power or is in alarm.
5. A full function test button. The test button should check all alarm functions by stimulating the chamber to simulate a smoke condition, causing the unit to alarm.
6. Silence feature - Temporarily silence unwanted nuisance alarms.
7. Two Locking features - tamper resistant locking pins that lock battery drawer and/or alarm to mounting bracket. Battery drawer is shipped pre-locked so battery will not be discarded prematurely.
8. The unit shall be capable of operating between 40°F (4°C) and 100°F (38°C) and relative humidity between 10% and 95%.
9. The unit shall have a gasketless base for easy installation and be capable of keeping alarm secure over a wide rotation range to allow for true alarm alignment.
10. The unit shall have a plug in connector and be capable of interconnection of up to 18 alarms, 12 of which can be smoke alarms.
11. The unit shall at a minimum meet the requirements of UL217, CSFM, NFPA 72, NFPA 101, ICC.

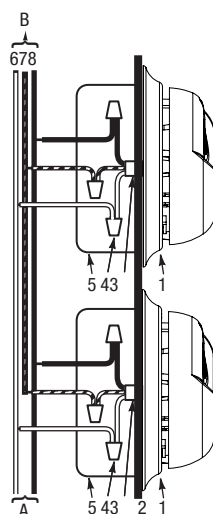
## INSTALLATION OF ALARM

Installation of this smoke alarm must conform to all local electrical codes and Article 760 of the National Electrical Code (NFPA 70) and NFPA 72. Interconnected units must meet the following requirements: Total length of wire interconnecting units should be less than 1000 feet, be #18 gauge or larger and be rated at least 300V. It is recommended that all units be on the same fuse or circuit breaker. If local codes do not permit, be sure the neutral wire is common to both phases.

### THE PARTS OF THIS SMOKE ALARM



1. Mounting bracket
2. Mounting Slots
3. Locking Pins
4. Hot (Black) AC Wire
5. Neutral (White) AC Wire
6. Interconnect (Orange) Wire
7. Battery Drawer Latch
8. Battery Drawer - Install 9V battery here
9. Quick-Connect Plug



- A. Unswitched 120VAC 60 Hz source  
 B. To additional units; Maximum = 18 total (Maximum 12 Smoke Alarms)

1. Smoke Alarm
2. Ceiling or Wall
3. Power Connector
4. Wire Nut
5. Junction Box
6. Neutral Wire (White)
7. Interconnect Wire (Orange)
8. Hot Wire (Black)

## TECHNICAL SPECS

Alarm Dimensions:	5.6" dia. x 2.0"H
Weight:	7.8 oz
Operating Voltage:	120V AC 60Hz w/ 9V battery backup
Operating Current:	0.04 amps (standby/alarm)
Temperature Range:	40°F (4°C) to 100°F (38°C)
Humidity Range:	10% to 95% relative humidity (RH)
Audio Alarm:	85dB at 10 feet
Test/Silence:	Electronically simulates smoke condition, causing the unit to alarm. Press and hold test/silence button.
Alarm Reset:	Automatic when smoke clears
Interconnections:	Up to 18 units of First Alert or BRK Smoke, CO and Heat Alarms. Maximum of 12 smoke alarms. See user's manual.
Smoke Sensor:	Dual Ionization
Indicator Lights/Sounds:	
AC Power:	Constant Green LED
DC Power:	Intermittent Red LED
Local Alarm:	Red LED flashes rapidly
Remote Alarm:	Red LED out.
Latching Alarm:	Green LED flashes 2 sec. on/2 sec. off after local alarm
Listing:	Listed to UL217 Standard

## SHIPPING SPECS

Individual Carton Dimensions	5.69"L x 2.25"W x 5.59"H
Weight	0.61 lbs.
Cube	0.04 ft3
UPC	9120B: 0 29054 51301 4 9120AB: 0 29054 51302 1 9120LB: 0 29054 51303 8
Master Carton Dimensions	14.43"L x 6.19"W x 12.63"H (9120B/AB/LB) 28.37"L x 11.87"W x 12.19"H (9120B-48P) 25.44"L x 11.62"W x 13.82"H (9120B-48B)
Master Pack	12 (9120B, 9120AB, 9120LB) 48 (9120B-48P, 9120B-48B)
Weight	7.9 lbs. (9120B) 29.4 lbs. (9120B-48P) 26.6 lbs. (9120B-48B)
Cube:	0.65 ft3 (9120B, 9120AB, 9120LB) 2.36 ft3 (9120B-48P, 9120B-48B)
I2of5:	9120B: 100 29054 51301 1 9120AB: 100 29054 51302 8 9120LB: 100 29054 51303 5 9120B-48P: 200 29054 51301 8 9120B-48B: 300 29054 51301 5

### Pallet Information

Cases per Layer	19 (9120B, 9120AB, 9120LB) 4 (9120B-48P) 6 (9120B-48B)
Number of Layers:	3 (9120B, 9120AB, 9120LB) 4 (9120B-48P) 3 (9120B-48B)
Cases per Pallet:	57 (9120B, 9120AB, 9120LB) 16 (9120B-48P) 18 (9120B-48B)
Units per Pallet:	684 (9120B, 9120AB, 9120LB) 768 (9120B-48P) 864 (9120B-48B)
Cube:	42.2 ft3 (9120B, 9120AB, 9120LB) 41.9 ft3 (9120B-48P) 48.5 ft3 (9120B-48B)
Weight:	439 lbs. (9120B, 9120AB, 9120LB) 535 lbs (9120B-48P) 544 lbs. (9120B-48B)



©2015 BRK Brands, Inc. a Jarden Corporation  
 Company (NYSE: JAH)  
 3901 Liberty Street Road  
 Aurora, IL 60504-8122  
 All rights reserved

First Alert is a registered trademark of the First Alert Trust  
 BRK is a registered trademark of BRK Brands, Inc.  
 CM3249

# SMOKE ALARM

## CAT. 9120B Series



### DUAL IONIZATION

Dual Ionization sensing chamber. Generally more effective at detecting small particles produced by flaming fires. Sources may include paper or kitchen grease.

### LATCHING ALARM INDICATOR

Remembers which unit initiated an alarm.

### SILENCE FEATURE

Silences nuisance alarms.

### TWO LOCKING FEATURES

Pins are provided to lock battery drawer and/or alarm to base. Perfect for apartment, dormitory or hotel applications.

#### Available in the following versions:

- 9120B AC Alarm with silence and battery backup
- 9120AB Same as 9120B but with alkaline battery
- 9120LB Same as 9120B but with lithium battery
- 9120B-48P 48 pack of Boxed 9120B
- 9120B-48B 48 pack of Bulk 9120B
- 9120B6CP Contractor Bulk 6-pack of 9120B Alarm



# BRK®

THE PROFESSIONAL STANDARD

## 120V AC, 60Hz Wire-in with 9V Battery Backup

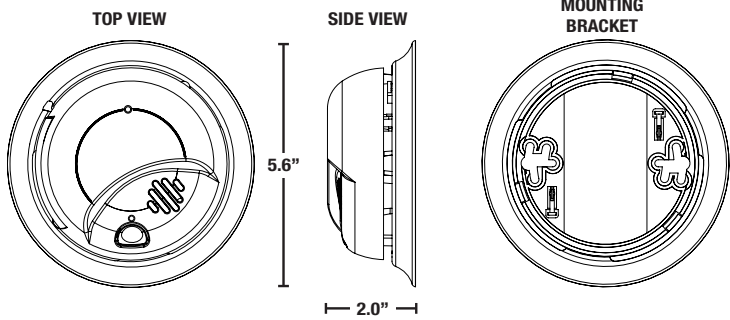
### Description:

The BRK Brands, Inc. model number 9120B is a wire-in, 120V AC 60Hz single and/or multiple station smoke alarm specifically designed for residential and institutional applications including sleeping rooms of hospitals, hotels, motels, dormitories and other multi-family dwellings as defined in standard NFPA 101. The 9120B complies with UL217, CSFM, NFPA 72, HUD, FHA and other agencies that model their codes after the above agencies. It meets building codes where AC/DC with Silence smoke alarms are required. The alarms are interconnectable with up to 18 devices, of which 12 can be smoke alarms.

The BRK® 9120B alarm features a dual ionization smoke sensing chamber, an 85dB horn, 9V battery backup and a "silence" feature. The "Smart Technology" system is designed to reduce nuisance alarms. "Latching Alarm Indication" remembers which unit initiated an alarm. When interconnected in a series, the unit that triggered the alarm rapidly flashes its red LED indicator. After the alarm condition subsides, the initiating unit will store in memory or "latch" the information and begin to flash the LED indicator 2 seconds on, 2 seconds off. The "Perfect Mount" system features a gasketless base and a mounting bracket that keeps the alarm secure over a wide rotation range to allow for true alignment. Other Contractor Preferred features include a dust cover to keep alarm clean during construction, keyhole slots in the mounting bracket eliminate the need to remove the electrical box screws for installation. Two locking features are provided to prevent battery theft and/or theft of the unit. Connection to AC power is made with a "Quick-Connect" wiring harness. Installation is quick, easy and cost effective.



# CAT. 9120B Series



## ARCHITECTURAL AND ENGINEERING SPEC

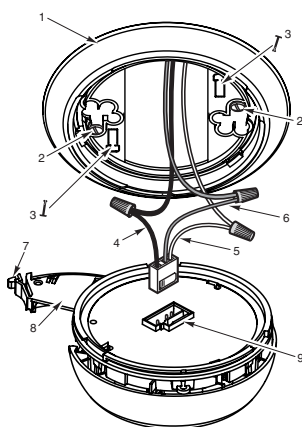
The smoke alarm shall be a BRK Model 9120B and shall provide at a minimum the following features and functions:

1. A dual ionization sensing chamber.
2. The unit shall be capable of self restoring.
3. Powered by 120V AC, 60Hz and have a monitored 9V battery backup and a solid state piezo horn rated at 85dB at 10 ft.
4. A visual LED power-on indicator to confirm unit is receiving power or is in alarm.
5. A full function test button. The test button should check all alarm functions by stimulating the chamber to simulate a smoke condition, causing the unit to alarm.
6. Silence feature - Temporarily silence unwanted nuisance alarms.
7. Two Locking features - tamper resistant locking pins that lock battery drawer and/or alarm to mounting bracket. Battery drawer is shipped pre-locked so battery will not be discarded prematurely.
8. The unit shall be capable of operating between 40°F (4°C) and 100°F (38°C) and relative humidity between 10% and 95%.
9. The unit shall have a gasketless base for easy installation and be capable of keeping alarm secure over a wide rotation range to allow for true alarm alignment.
10. The unit shall have a plug in connector and be capable of interconnection of up to 18 alarms, 12 of which can be smoke alarms.
11. The unit shall at a minimum meet the requirements of UL217, CSFM, NFPA 72, NFPA 101, ICC.

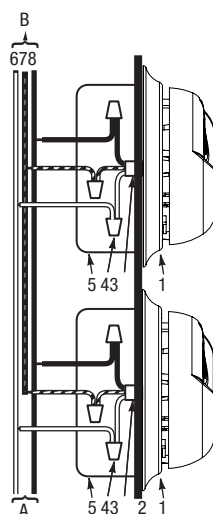
## INSTALLATION OF ALARM

Installation of this smoke alarm must conform to all local electrical codes and Article 760 of the National Electrical Code (NFPA 70) and NFPA 72. Interconnected units must meet the following requirements: Total length of wire interconnecting units should be less than 1000 feet, be #18 gauge or larger and be rated at least 300V. It is recommended that all units be on the same fuse or circuit breaker. If local codes do not permit, be sure the neutral wire is common to both phases.

### THE PARTS OF THIS SMOKE ALARM



1. Mounting bracket
2. Mounting Slots
3. Locking Pins
4. Hot (Black) AC Wire
5. Neutral (White) AC Wire
6. Interconnect (Orange) Wire
7. Battery Drawer Latch
8. Battery Drawer - Install 9V battery here
9. Quick-Connect Plug



- A. Unswitched 120VAC 60 Hz source  
 B. To additional units; Maximum = 18 total (Maximum 12 Smoke Alarms)

1. Smoke Alarm
2. Ceiling or Wall
3. Power Connector
4. Wire Nut
5. Junction Box
6. Neutral Wire (White)
7. Interconnect Wire (Orange)
8. Hot Wire (Black)

## TECHNICAL SPECS

Alarm Dimensions:	5.6" dia. x 2.0"H
Weight:	7.8 oz
Operating Voltage:	120V AC 60Hz w/ 9V battery backup
Operating Current:	0.04 amps (standby/alarm)
Temperature Range:	40°F (4°C) to 100°F (38°C)
Humidity Range:	10% to 95% relative humidity (RH)
Audio Alarm:	85dB at 10 feet
Test/Silence:	Electronically simulates smoke condition, causing the unit to alarm. Press and hold test/silence button.
Alarm Reset:	Automatic when smoke clears
Interconnections:	Up to 18 units of First Alert or BRK Smoke, CO and Heat Alarms. Maximum of 12 smoke alarms. See user's manual.
Smoke Sensor:	Dual Ionization
Indicator Lights/Sounds:	
AC Power:	Constant Green LED
DC Power:	Intermittent Red LED
Local Alarm:	Red LED flashes rapidly
Remote Alarm:	Red LED out.
Latching Alarm:	Green LED flashes 2 sec. on/2 sec. off after local alarm
Listing:	Listed to UL217 Standard

## SHIPPING SPECS

Individual Carton Dimensions	5.69"L x 2.25"W x 5.59"H
Weight	0.61 lbs.
Cube	0.04 ft3
UPC	9120B: 0 29054 51301 4 9120AB: 0 29054 51302 1 9120LB: 0 29054 51303 8
Master Carton Dimensions	14.43"L x 6.19"W x 12.63"H (9120B/AB/LB) 28.37"L x 11.87"W x 12.19"H (9120B-48P) 25.44"L x 11.62"W x 13.82"H (9120B-48B)
Master Pack	12 (9120B, 9120AB, 9120LB) 48 (9120B-48P, 9120B-48B)
Weight	7.9 lbs. (9120B) 29.4 lbs. (9120B-48P) 26.6 lbs. (9120B-48B)
Cube:	0.65 ft3 (9120B, 9120AB, 9120LB) 2.36 ft3 (9120B-48P, 9120B-48B)
I2of5:	9120B: 100 29054 51301 1 9120AB: 100 29054 51302 8 9120LB: 100 29054 51303 5 9120B-48P: 200 29054 51301 8 9120B-48B: 300 29054 51301 5

### Pallet Information

Cases per Layer	19 (9120B, 9120AB, 9120LB) 4 (9120B-48P) 6 (9120B-48B)
Number of Layers:	3 (9120B, 9120AB, 9120LB) 4 (9120B-48P) 3 (9120B-48B)
Cases per Pallet:	57 (9120B, 9120AB, 9120LB) 16 (9120B-48P) 18 (9120B-48B)
Units per Pallet:	684 (9120B, 9120AB, 9120LB) 768 (9120B-48P) 864 (9120B-48B)
Cube:	42.2 ft3 (9120B, 9120AB, 9120LB) 41.9 ft3 (9120B-48P) 48.5 ft3 (9120B-48B)
Weight:	439 lbs. (9120B, 9120AB, 9120LB) 535 lbs (9120B-48P) 544 lbs. (9120B-48B)



©2015 BRK Brands, Inc. a Jarden Corporation  
 Company (NYSE: JAH)  
 3901 Liberty Street Road  
 Aurora, IL 60504-8122  
 All rights reserved

First Alert is a registered trademark of the First Alert Trust  
 BRK is a registered trademark of BRK Brands, Inc.  
 CM3249