

# Single Pole Distribution Blocks

## Compact

**Patented design includes screw retaining, transparent blue cover**

**Hinged or removable cover**

**IP 20 finger safe**

**> 95% fill ratio**

**Gangable**

**Easy fixing: clip on DIN Rail or mount to panel with screws**

**Tinned copper block**

**Patented unit design. Allows for visual inspection of wire and confirmation of connection**

- UL® Recognized for US and Canada (single pole only)
  - UL 1059
  - CSA® C22.2 NO. 158
- Tested and certified according to IEC 60947-7-1
- Short Circuit Current Rated up to 100 KA - See UL file E198301
- $U_i = 1000V$  AC/DC IEC 600 V UL
- Halogen-free
- UL 94V-0

Patent Nos: 7,052,333 and 7,134,921



# Single Pole Distribution Blocks



- Visual inspection of wire and confirmation of connection
- Halogen-free
- IP 20 finger safe
- 95% fill ratio
- Self extinguishing: UL94 V-0
- Tinned copper blocks: Copper or Aluminum Cable
- Short circuit current rated up to 100 KA - See UL file E198301
- RoHS Compliant

**UD 80 A**  
80 A - IEC  
85 Amp -

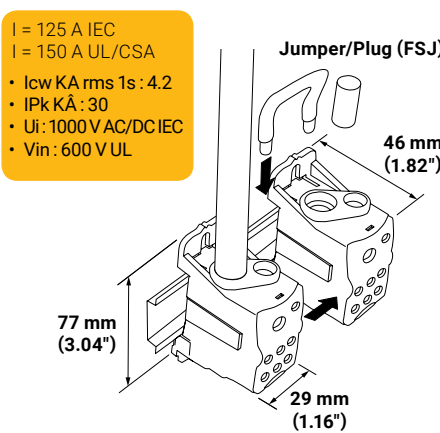
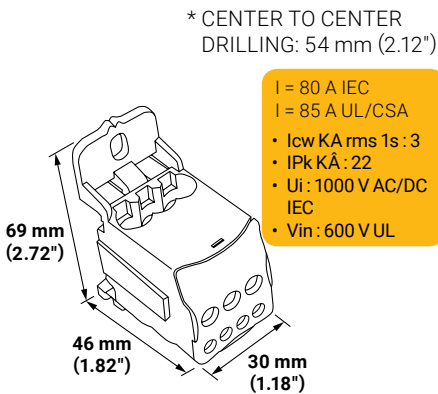
- Modular: keeping only one input, the blocks can be supplied in parallel using a jumper wire. Easily double the neutral.

**UDJ 125 A**  
125 A - IEC  
150 Amp -

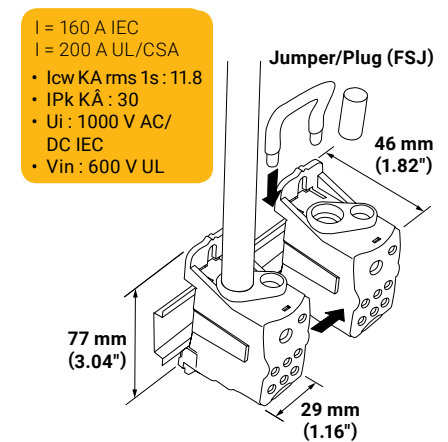
- Modular: keeping only one input, the blocks can be supplied in parallel using a jumper. Easily double the neutral.

**UDJ 160 A**  
160 A - IEC  
200 Amp -

- Modular: keeping only one input, the blocks can be supplied in parallel using a jumper. Easily double the neutral.



\* CENTER TO CENTER DRILLING: 64 mm (2.53")



\* CENTER TO CENTER DRILLING: 64 mm (2.53")

Metric	mm <sup>2</sup>		Ø	Γ(N.m)
	6...16	x1	6.8	3,5
	2,5...6	x4	4.5	1,2
	2,5...16	x2	6.8	3,5

Imperial	AWG		Ø	Torque Inch/Lbs.
	16...4	x1	0.27	19.5
	16...8	x4	0.177	10.6
	16...4	x2	0.27	19.5

Part No.	Description	kg/lbs
569010	UD 80 A	1 0,07/0.15

- Flexible stranded cable (including terminal up to 50 mm<sup>2</sup>)
- Rigid cable

Metric	mm <sup>2</sup>		Ø	Γ(N.m)
	10...35	x1	10	8,5
	6...16**	x1	6.8	3,5
	2,5...16	x4  x6	6.8	3,5

\*\* or common jumper

Imperial	AWG		Ø	Torque inch/Lbs.
	8...1/0	x1	0.394	57
	10...4	x1	0.27	31
	10...4	x6	0.27	31

Part No.	Description	kg/lbs
569020	UDJ 125 A	1 0,15/0.33
569150	FSJ*	25 0,03/0.07

Metric	mm <sup>2</sup>		Ø	Γ(N.m)
	10...70	x1	12.3	8,5
	6...16**	x1	6.8	3,5
	2,5...16	x4  x6	6.8	3,5

\*\* or common jumper

Imperial	AWG		Ø	Torque inch/Lbs.
	8...3/0	x1	0.484	75
	10...4	x1	0.27	31
	10...4	x6	0.27	31

Part No.	Description	kg/lbs
569030	UDJ 160 A	1 0,15/0.32
569150	FSJ*	25 0,03/0.07

\* Not UL® Recognized



# Single Pole Distribution Blocks

## Compact

**Patented design includes screw retaining, transparent blue cover**

**Hinged or removable cover**

**IP 20 finger safe**

**> 95% fill ratio**

**Gangable**

**Easy fixing: clip on DIN Rail or mount to panel with screws**

**Tinned copper block**

**Patented unit design. Allows for visual inspection of wire and confirmation of connection**

- UL® Recognized for US and Canada (single pole only)
  - UL 1059
  - CSA® C22.2 NO. 158
- Tested and certified according to IEC 60947-7-1
- Short Circuit Current Rated up to 100 KA - See UL file E198301
- $U_i = 1000V$  AC/DC IEC 600 V UL
- Halogen-free
- UL 94V-0

Patent Nos: 7,052,333 and 7,134,921



# Single Pole Distribution Blocks



- Visual inspection of wire and confirmation of connection
- Halogen-free
- IP 20 finger safe
- 95% fill ratio
- Self extinguishing: UL94 V-0
- Tinned copper blocks: Copper or Aluminum Cable
- Short circuit current rated up to 100 KA - See UL file E198301
- RoHS Compliant

**UD 80 A**  
80 A - IEC  
85 Amp -

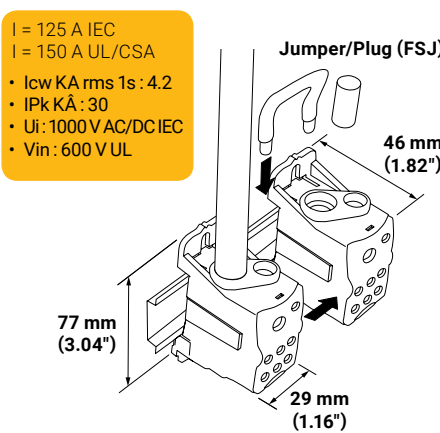
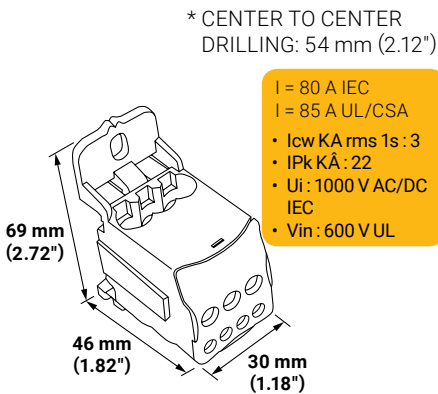
- Modular: keeping only one input, the blocks can be supplied in parallel using a jumper wire. Easily double the neutral.

**UDJ 125 A**  
125 A - IEC  
150 Amp -

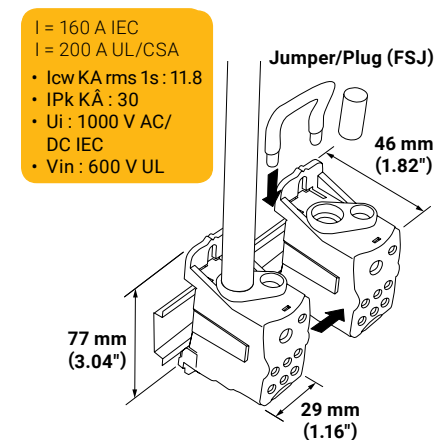
- Modular: keeping only one input, the blocks can be supplied in parallel using a jumper. Easily double the neutral.

**UDJ 160 A**  
160 A - IEC  
200 Amp -

- Modular: keeping only one input, the blocks can be supplied in parallel using a jumper. Easily double the neutral.



\* CENTER TO CENTER DRILLING: 64 mm (2.53")



\* CENTER TO CENTER DRILLING: 64 mm (2.53")

Metric	mm <sup>2</sup>	Ø	Γ(N.m)
	6...16	x1	6.8
	2,5...6	x4	4.5
	2,5...16	x2	6.8

Imperial	AWG	Ø	Torque Inch/Lbs.
	16...4	x1	0.27
	16...8	x4	0.177
	16...4	x2	0.27

Part No.	Description	kg/lbs
569010	UD 80 A	1 0,07/0.15

- Flexible stranded cable (including terminal up to 50 mm<sup>2</sup>)
- Rigid cable

Metric	mm <sup>2</sup>	Ø	Γ(N.m)
	10...35	x1	10
	6...16**	x1	6.8
	2,5...16	x4	6.8

\*\* or common jumper

Imperial	AWG	Ø	Torque inch/Lbs.
	8...1/0	x1	0.394
	10...4	x1	0.27
	10...4	x6	0.27

Part No.	Description	kg/lbs
569020	UDJ 125 A	1 0,15/0.33
569150	FSJ*	25 0,03/0.07

Metric	mm <sup>2</sup>	Ø	Γ(N.m)
	10...70	x1	12.3
	6...16**	x1	6.8
	2,5...16	x4	6.8

\*\* or common jumper

Imperial	AWG	Ø	Torque inch/Lbs.
	8...3/0	x1	0.484
	10...4	x1	0.27
	10...4	x6	0.27

Part No.	Description	kg/lbs
569030	UDJ 160 A	1 0,15/0.32
569150	FSJ*	25 0,03/0.07

\* Not UL® Recognized