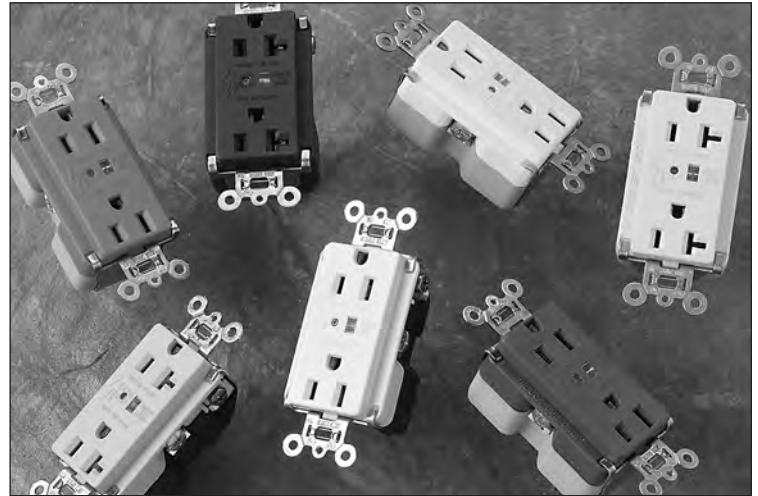


5262-SP, 5362-SP

**Dependable protection
plus durable construction.**

With three-mode surge suppression up to 210 joules and thermal protection, these receptacles provide a superior choice for protecting sensitive electronics. The construction is extra rugged — but installation is a snap, thanks to an auto-ground clip plus screw-pressure-plate back wiring on all terminals (they also permit side wiring). All feature an LED indicator and audible alarm (which can be turned On or Off) to warn of MOV damage.



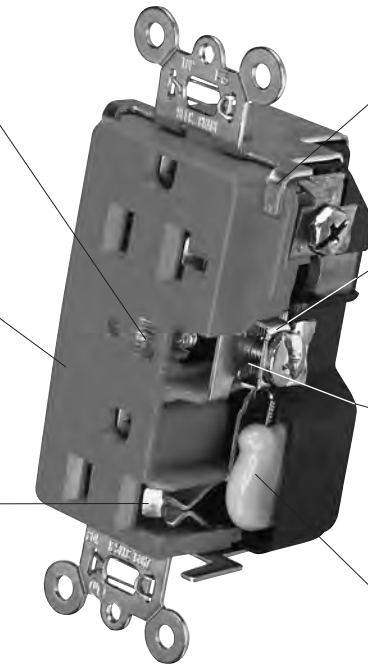
Features & Benefits

Solid-state LED monitor has 25-year minimum life expectancy. A high visibility, wide-angle lens indicates protection is in place.

Impact-resistant thermoplastic exterior resists impacts and scrape.

Triple-wipe, copper-alloy contacts for superior, more dependable connection.

Audible alarm alert of MOV damage. Alarm able to be turned On/Off.



5362-REDSP

Wrap-around steel strap for structural integrity. Auto-ground is standard, for easier installation.

External screw-pressure-plate back and side wire terminals including ground with external back wire clamps (exclusive) accept #14 – #10 AWG copper or copper-clad, solid or stranded conductors. External pressure plate feature allows two conductors to be terminated by a single screw.

Wave-soldered circuit board encapsulated in epoxy provides superior electrical, mechanical, and thermal stability.

Thermal protection in 3 modes. 3 18mm dual pack MOVs absorb up to 210 Joules of excess energy in each leg (L-N, L-G, N-G) with 13,000 amp current handling capability for full, equal and symmetrical protection. With 150V rating, each MOV is less susceptible to common spikes that degrade 130V varistors. Protection response time in less than one nanosecond.

Field Uses/Vertical Markets

- Education
- Institutional
- Retail
- Office
- Hospitality/Lodging
- Multiple Dwelling



Pass & Seymour

TVSS & Isolated Ground Devices Heavy-Duty TVSS 15 & 20A, 125VAC

Ordering Information

Catalog Number	Rating A.	VAC	NEMA Config. No.	Color
Duplex Receptacles Back & Side Wire				
5262-ISP	15	125	5-15R	Ivory
5262-WSP	15	125	5-15R	White
5262-SP	15	125	5-15R	Brown
5262-GRYSP	15	125	5-15R	Gray
5262-REDSP	15	125	5-15R	Red
5262-LASP	15	125	5-15R	Light Almond
5262-BLSP	15	125	5-15R	Blue
5362-ISP	20	125	5-20R	Ivory
5362-WSP	20	125	5-20R	White
5362-SP	20	125	5-20R	Brown
5362-GRYSP	20	125	5-20R	Gray
5362-REDSP	20	125	5-20R	Red
5362-LASP	20	125	5-20R	Light Almond
5362-BLSP	20	125	5-20R	Blue



NEMA
5-15R



NEMA
5-20R

For more information on these and other P&S products refer to our Product Guide or visit our web site.

SF1304R1 — Updated January 2004 — For latest specs visit www.legrand.us/passandseymour

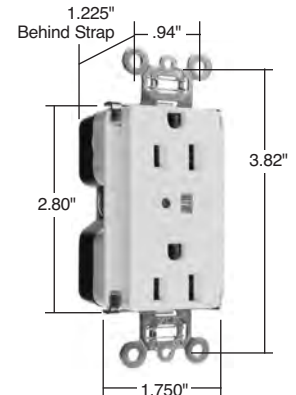
TVSS & Isolated Ground Devices Heavy-Duty TVSS 15 & 20A, 125VAC



Pass & Seymour

Technical Specifications

3rd Party Compliance	
UL Listed, File Number E140596, Standard UL498, Attachment Plugs and Receptacles UL1449 Transient Voltage Surge Suppressor.	
Federal Specification WC596.	
CSA Certified, File Number LR16063, Standard CSA-C22.2 No. 42.	
ANSI/IEEE C62.41 (Formerly IEEE 587), ANSI/IEEE C62.45 Installation Categories "A" (Ring Wave) "B" (Unidirectional Impulse).	
Complies with NEC 410-56(c) and 250-74 exception 4.	
Conforms to NEMA WD-1, WD-6.	



Dimensions for
15 & 20 Amp

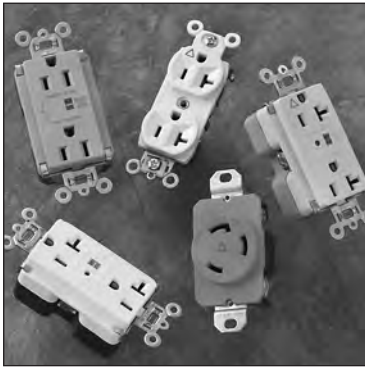
Performance	
Electrical	
Frequency	60 Hz
Voltage	120VAC
MOV Rating	150V 18mm Dual Pack
Suppressed Voltage	500V
Energy Rating	210 Joules
Max Surge Capability	13kA
Protection Modes	Normal and Common Modes
Normal Mode	(L-N) 500V Clamping
Common Mode	(L-G) 500V Clamping (N-G) 500V Clamping
Noise Attenuation	Normal Mode (L-N) Capacitance Value = 0.0056 μ F 7:1 Average Noise Reduction
Thermal Protection	Three Thermal Fuses (128°C or 262°F)
Overcurrent Protection	Two Fuses Protects 3 Modes
Operating Temperature	-20°C to 55°C (-4 to 131°F)
Storage Temperature	-40°C to 85°C (-40 to 185°F)
Mechanical	
Terminal Identification	Brass = Hot, Nickel = Neutral, Green = Ground
Terminal Accommodation	#14 AWG – #10 AWG copper conductor only
Product Identification	Ratings are a permanent part of device
Weight	4.8 ounces
Environmental	
Flammability	UL94 V2

Materials			
Face	Thermoplastic	Terminal Screws	Tri-Drive Brass #8 - 32
Body	Nylon	Hex Head Grounding Screw	Tri-Drive Steel (Green)
Line Terminal	0.036" CDA 260 Brass	Auto-Ground Clip	Stainless Steel
Grounding Terminal (Uni-Ground Assembly)	Olin #688	Mounting Screws	Tri-Drive Zinc-Plated Steel
Mounting Strap	.042" Zinc-Plated	LED	Red
Pressure Plate	0.031" CDA 260 Brass	Encapsulation	Blue Epoxy

Warranty

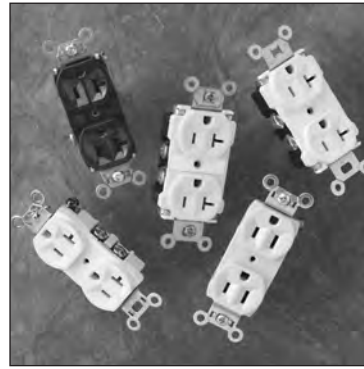
1 Year

Complimentary Devices & Accessories



TVSS & ISOLATED GROUND

- Construction Grade Isolated Ground
- Heavy-Duty Turnlok® Isolated Ground
- Heavy-Duty Isolated Ground TVSS
- Construction Grade TVSS



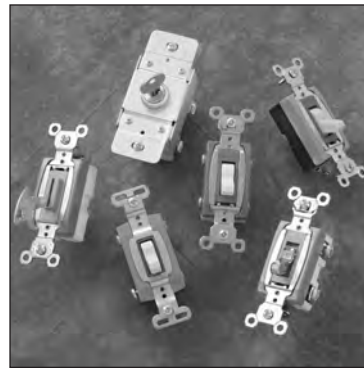
STRAIGHT BLADE RECEPTACLES

- Extra Heavy-Duty
- Heavy-Duty
- Construction Grade
- Commercial Grade



DECORATOR DEVICES

- Construction Grade Switches
- Construction Grade Illuminated & Pilot Lighted Switches
- Construction Grade Receptacles
- Commercial Grade Receptacles
- Construction Grade Hallway Lights



SWITCHES

- Heavy-Duty Toggle
- Heavy-Duty Lighted Toggle
- Heavy-Duty Security
- Heavy-Duty Locking
- Construction Grade Toggle
- Commercial Grade Toggle



GFCIs

- Construction Grade with Auto-Ground
- Construction Grade
- Construction Grade Dead Front



WALL PLATES

- TradeMaster® Thermoplastic Nylon
- Stainless Steel
- Brass
- Aluminum
- Dustproof Stainless Steel Covers

Also available...

- Light Almond Devices
- Hospital Grade Devices
- PlugTail™ Devices
- Ground Continuity Monitoring (GCM)
- Straight Blade Plugs & Connectors
- Turnlok® Locking Devices
- Weatherproof Boxes & Covers
- IEC 309 Industrial Products
- Flexcor® Wire Mesh Grips
- Configurable Solutions



Legrand/Pass & Seymour
P.O. Box 4822
Syracuse, NY 13221-4822
800-223-4185

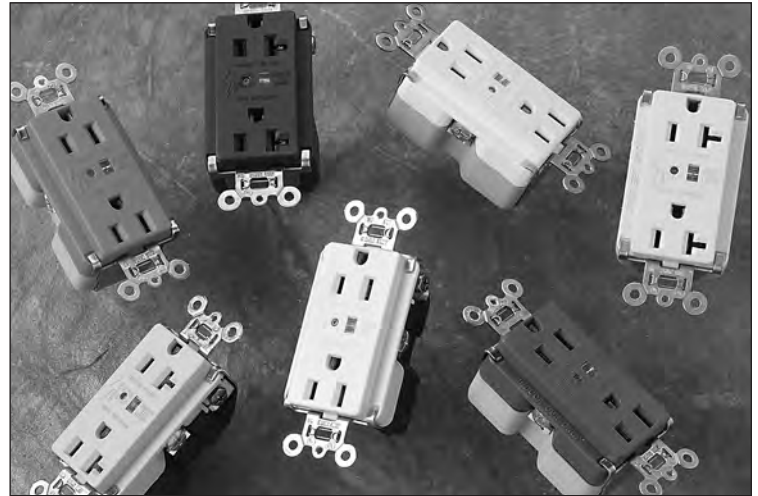
North America Headquarters
60 Woodlawn Street
West Hartford, CT 06110
Phone: 1.877.BY.LEGRAND (295.3472)
Fax: 1.860.232.2062
www.legrand.us

Legrand Canada
570 Applewood Crescent
Vaughan, ON, L4K 4B4
Phone: 905.738.9195
Fax: 905.738.9721
www.legrand.ca

5262-SP, 5362-SP

**Dependable protection
plus durable construction.**

With three-mode surge suppression up to 210 joules and thermal protection, these receptacles provide a superior choice for protecting sensitive electronics. The construction is extra rugged — but installation is a snap, thanks to an auto-ground clip plus screw-pressure-plate back wiring on all terminals (they also permit side wiring). All feature an LED indicator and audible alarm (which can be turned On or Off) to warn of MOV damage.



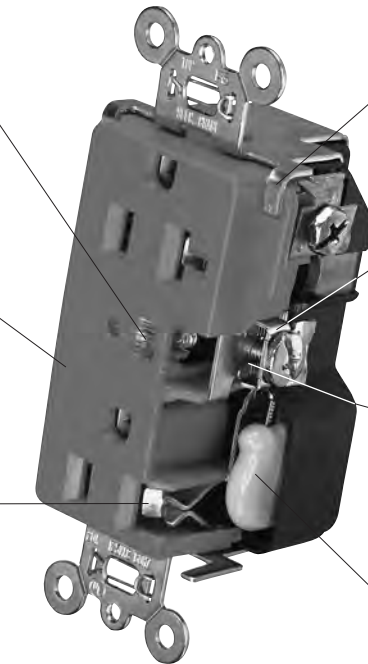
Features & Benefits

Solid-state LED monitor has 25-year minimum life expectancy. A high visibility, wide-angle lens indicates protection is in place.

Impact-resistant thermoplastic exterior resists impacts and scrape.

Triple-wipe, copper-alloy contacts for superior, more dependable connection.

Audible alarm alert of MOV damage. Alarm able to be turned On/Off.



5362-REDSP

Wrap-around steel strap for structural integrity. Auto-ground is standard, for easier installation.

External screw-pressure-plate back and side wire terminals including ground with external back wire clamps (exclusive) accept #14 – #10 AWG copper or copper-clad, solid or stranded conductors. External pressure plate feature allows two conductors to be terminated by a single screw.

Wave-soldered circuit board encapsulated in epoxy provides superior electrical, mechanical, and thermal stability.

Thermal protection in 3 modes. 3 18mm dual pack MOVs absorb up to 210 Joules of excess energy in each leg (L-N, L-G, N-G) with 13,000 amp current handling capability for full, equal and symmetrical protection. With 150V rating, each MOV is less susceptible to common spikes that degrade 130V varistors. Protection response time in less than one nanosecond.

Field Uses/Vertical Markets

- Education
- Institutional
- Retail
- Office
- Hospitality/Lodging
- Multiple Dwelling



Pass & Seymour

TVSS & Isolated Ground Devices Heavy-Duty TVSS 15 & 20A, 125VAC

Ordering Information

Catalog Number	Rating A.	VAC	NEMA Config. No.	Color
Duplex Receptacles Back & Side Wire				
5262-ISP	15	125	5-15R	Ivory
5262-WSP	15	125	5-15R	White
5262-SP	15	125	5-15R	Brown
5262-GRYSP	15	125	5-15R	Gray
5262-REDSP	15	125	5-15R	Red
5262-LASP	15	125	5-15R	Light Almond
5262-BLSP	15	125	5-15R	Blue
5362-ISP	20	125	5-20R	Ivory
5362-WSP	20	125	5-20R	White
5362-SP	20	125	5-20R	Brown
5362-GRYSP	20	125	5-20R	Gray
5362-REDSP	20	125	5-20R	Red
5362-LASP	20	125	5-20R	Light Almond
5362-BLSP	20	125	5-20R	Blue



NEMA
5-15R



NEMA
5-20R

For more information on these and other P&S products refer to our Product Guide or visit our web site.

SF1304R1 — Updated January 2004 — For latest specs visit www.legrand.us/passandseymour

TVSS & Isolated Ground Devices Heavy-Duty TVSS 15 & 20A, 125VAC

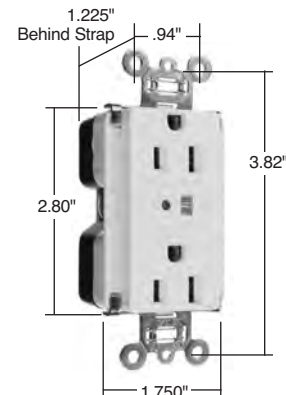


Pass & Seymour

Technical Specifications

3rd Party Compliance

UL Listed, File Number E140596, Standard UL498, Attachment Plugs and Receptacles UL1449 Transient Voltage Surge Suppressor.
Federal Specification WC596.
CSA Certified, File Number LR16063, Standard CSA-C22.2 No. 42.
ANSI/IEEE C62.41 (Formerly IEEE 587), ANSI/IEEE C62.45 Installation Categories "A" (Ring Wave) "B" (Unidirectional Impulse).
Complies with NEC 410-56(c) and 250-74 exception 4.
Conforms to NEMA WD-1, WD-6.



Dimensions for
15 & 20 Amp

Performance

Electrical

Frequency	60 Hz
Voltage	120VAC
MOV Rating	150V 18mm Dual Pack
Suppressed Voltage	500V
Energy Rating	210 Joules
Max Surge Capability	13kA
Protection Modes	Normal and Common Modes
Normal Mode	(L-N) 500V Clamping
Common Mode	(L-G) 500V Clamping (N-G) 500V Clamping
Noise Attenuation	Normal Mode (L-N) Capacitance Value = 0.0056 μ F 7:1 Average Noise Reduction
Thermal Protection	Three Thermal Fuses (128°C or 262°F)
Overcurrent Protection	Two Fuses Protects 3 Modes
Operating Temperature	-20°C to 55°C (-4 to 131°F)
Storage Temperature	-40°C to 85°C (-40 to 185°F)

Mechanical

Terminal Identification	Brass = Hot, Nickel = Neutral, Green = Ground
Terminal Accommodation	#14 AWG – #10 AWG copper conductor only
Product Identification	Ratings are a permanent part of device
Weight	4.8 ounces

Environmental

Flammability	UL94 V2
--------------	---------

Materials

Face	Thermoplastic	Terminal Screws	Tri-Drive Brass #8 - 32
Body	Nylon	Hex Head Grounding Screw	Tri-Drive Steel (Green)
Line Terminal	0.036" CDA 260 Brass	Auto-Ground Clip	Stainless Steel
Grounding Terminal (Uni-Ground Assembly)	Olin #688	Mounting Screws	Tri-Drive Zinc-Plated Steel
Mounting Strap	.042" Zinc-Plated	LED	Red
Pressure Plate	0.031" CDA 260 Brass	Encapsulation	Blue Epoxy

Warranty

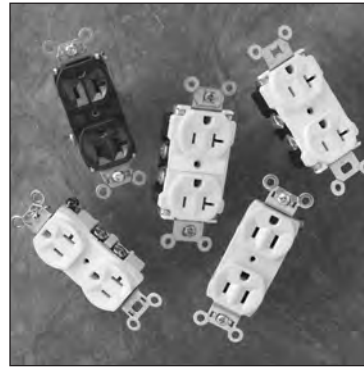
1 Year

Complimentary Devices & Accessories



TVSS & ISOLATED GROUND

- Construction Grade Isolated Ground
- Heavy-Duty Turnlok® Isolated Ground
- Heavy-Duty Isolated Ground TVSS
- Construction Grade TVSS



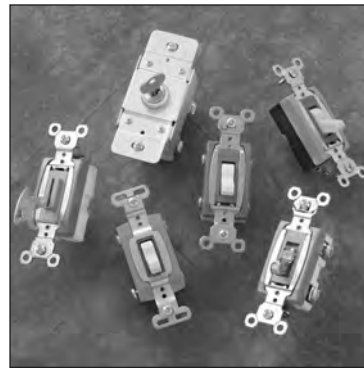
STRAIGHT BLADE RECEPTACLES

- Extra Heavy-Duty
- Heavy-Duty
- Construction Grade
- Commercial Grade



DECORATOR DEVICES

- Construction Grade Switches
- Construction Grade Illuminated & Pilot Lighted Switches
- Construction Grade Receptacles
- Commercial Grade Receptacles
- Construction Grade Hallway Lights



SWITCHES

- Heavy-Duty Toggle
- Heavy-Duty Lighted Toggle
- Heavy-Duty Security
- Heavy-Duty Locking
- Construction Grade Toggle
- Commercial Grade Toggle



GFCIs

- Construction Grade with Auto-Ground
- Construction Grade
- Construction Grade Dead Front



WALL PLATES

- TradeMaster® Thermoplastic Nylon
- Stainless Steel
- Brass
- Aluminum
- Dustproof Stainless Steel Covers

Also available...

- Light Almond Devices
- Hospital Grade Devices
- PlugTail™ Devices
- Ground Continuity Monitoring (GCM)
- Straight Blade Plugs & Connectors
- Turnlok® Locking Devices
- Weatherproof Boxes & Covers
- IEC 309 Industrial Products
- Flexcor® Wire Mesh Grips
- Configurable Solutions



Legrand/Pass & Seymour
P.O. Box 4822
Syracuse, NY 13221-4822
800-223-4185

North America Headquarters
60 Woodlawn Street
West Hartford, CT 06110
Phone: 1.877.BY.LEGRAND (295.3472)
Fax: 1.860.232.2062
www.legrand.us

Legrand Canada
570 Applewood Crescent
Vaughan, ON, L4K 4B4
Phone: 905.738.9195
Fax: 905.738.9721
www.legrand.ca