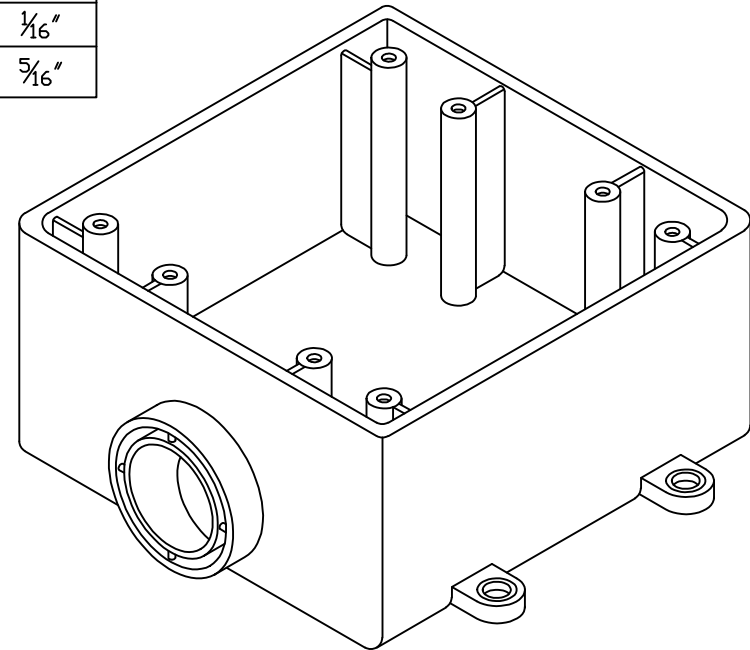
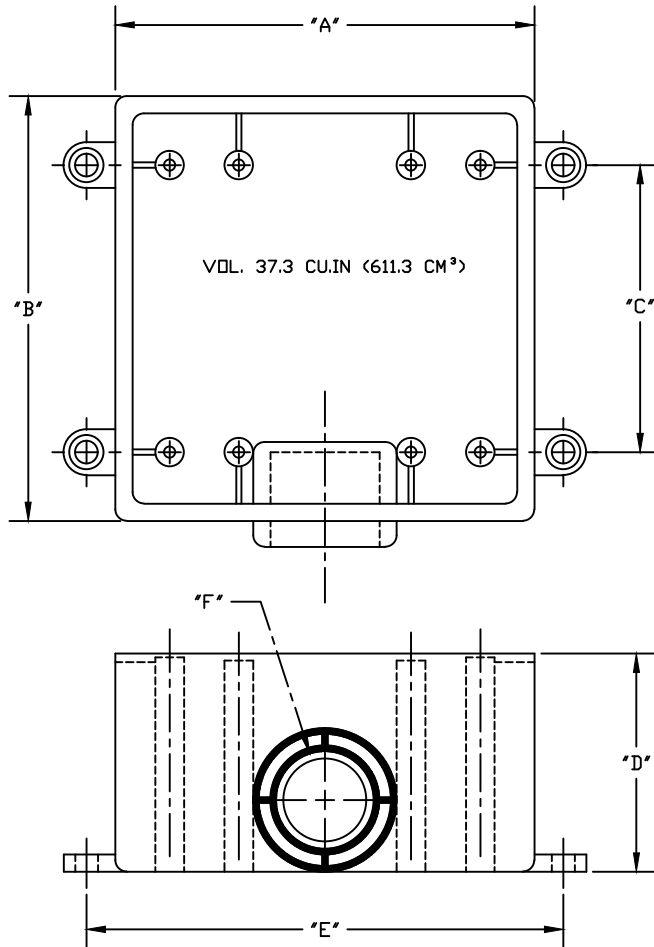


| PART NUMBER | SIZE | "A" | "B" | "C" | "D" | "E" | "F" |
|-------------|------|---------|---------|--------|--------|--------|---------|
| 5133380 | 1/2 | 4 9/16" | 4 9/16" | 3 1/4" | 2 3/8" | 5 1/4" | 7/8" |
| 5133381 | 3/4 | 4 9/16" | 4 9/16" | 3 1/4" | 2 3/8" | 5 1/4" | 1 1/16" |
| 5133382 | 1 | 4 9/16" | 4 9/16" | 3 1/4" | 2 3/8" | 5 1/4" | 1 5/16" |



UL Listed
 UL File # E98429
 UL Category Code QCXJ
 UL Control Number 39N9
 Material Is Rigid PVC



| | | |
|--|----------------|--------------|
| CANTEX INC. Fort Worth, TEXAS | | |
| Two-Gang Type FSE Exposed Boxes | | |
| Drawn By: O.M. | Date: 01/10/07 | Ref. 5133380 |