

## SPECIFICATION SHEET

### 5000M SERIES DELAYED RESPONSE UTILITY GRADE MOV SURGE ARRESTOR PHOTOCONTROL

#### APPLICATIONS

- For use on streets, highways and other luminaries equipped with locking type receptacles, where most stringent surge protection is needed.

#### FEATURES

##### SENSOR:

Conformal coated CdS photocell resists effects of moisture and airborne contaminants. Photocell responds to the light spectrum near to that of a human eye.

##### OPERATION:

Delayed response prevents false switching due to light from vehicles or lighting, etc.

##### STANDARDS:

Meets UL773 and ANSI C136.10 including color designations. Also meets EEI NEMA standards.

##### HOUSING:

Polycarbonate housing and window, UV stabilized for permanent color. Provides high impact performance, flammability resistance, and electrically safe operations.

##### CONTACTS:

Bi-metal provides positive snap action switching, reducing bounce and prolonging contact life.

#### SPECIFICATIONS

##### ON/OFF:

Turn-ON is 1 to 3 fc. Turn-OFF to Turn-ON ratio is 5 max.

##### TIME DELAY:

ON and OFF.

##### CELL:

CdS, epoxy conformal coated 1/2" and 1" diameter models.

##### SURGE ARRESTOR:

380 joule MOV (metal oxide varistor) exceeds ANSI and NEMA requirements.

##### LOCKING PRONGS:

Solid brass for maximum corrosion resistance and electrical conductivity.

##### TEMPERATURE RANGE:

-40 °F to 140 °F (-40 °C to 60 °C).

##### FAIL MODE:

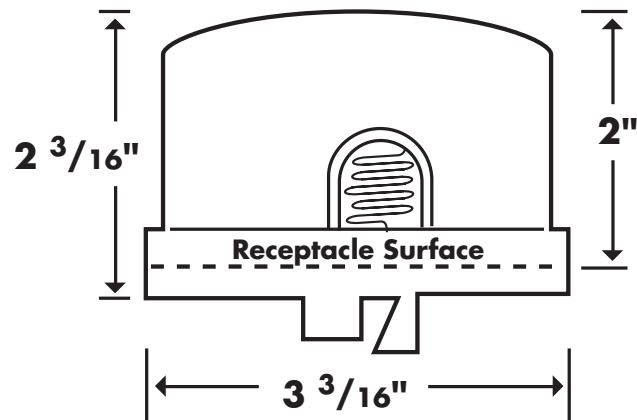
ON.

##### WARRANTY:

3 years.



#### WIRING DIAGRAMS



#### ORDERING INFO & CONTACT RATINGS

CAT. NO.	UPC CODE	VOLTAGE (VAC) 50-60Hz	LIGHT SENSOR	RATING	
				TUNGSTEN	BALLAST
5001M	61012	105-130	1"	2000W	1800VA
5004M	61013	208-277	1"	3470-4620W	2080-2770VA
5007M	61014	105-130/208-285	1/2"	2000W 3470-4620W	1800VA 2080-2770VA
5008M*	61017	480	1"	7500W	4800VA
5021M	61015	105-130	1/2"	2000W	1800VA
5024M	61016	208-277	1/2"	3470-4620W	2080-2770VA
<b>NEW!</b> 5026M**	61045	347	1/2"	5760W	3470VA

\*Not UL listed or CSA certified.  
\*\*CSA certified only. 

## SPECIFICATION SHEET

### 5000M SERIES DELAYED RESPONSE UTILITY GRADE MOV SURGE ARRESTOR PHOTOCONTROL

#### APPLICATIONS

- For use on streets, highways and other luminaries equipped with locking type receptacles, where most stringent surge protection is needed.

#### FEATURES

##### SENSOR:

Conformal coated CdS photocell resists effects of moisture and airborne contaminants. Photocell responds to the light spectrum near to that of a human eye.

##### OPERATION:

Delayed response prevents false switching due to light from vehicles or lighting, etc.

##### STANDARDS:

Meets UL773 and ANSI C136.10 including color designations. Also meets EEI NEMA standards.

##### HOUSING:

Polycarbonate housing and window, UV stabilized for permanent color. Provides high impact performance, flammability resistance, and electrically safe operations.

##### CONTACTS:

Bi-metal provides positive snap action switching, reducing bounce and prolonging contact life.

#### SPECIFICATIONS

##### ON/OFF:

Turn-ON is 1 to 3 fc. Turn-OFF to Turn-ON ratio is 5 max.

##### TIME DELAY:

ON and OFF.

##### CELL:

CdS, epoxy conformal coated 1/2" and 1" diameter models.

##### SURGE ARRESTOR:

380 joule MOV (metal oxide varistor) exceeds ANSI and NEMA requirements.

##### LOCKING PRONGS:

Solid brass for maximum corrosion resistance and electrical conductivity.

##### TEMPERATURE RANGE:

-40 °F to 140 °F (-40 °C to 60 °C).

##### FAIL MODE:

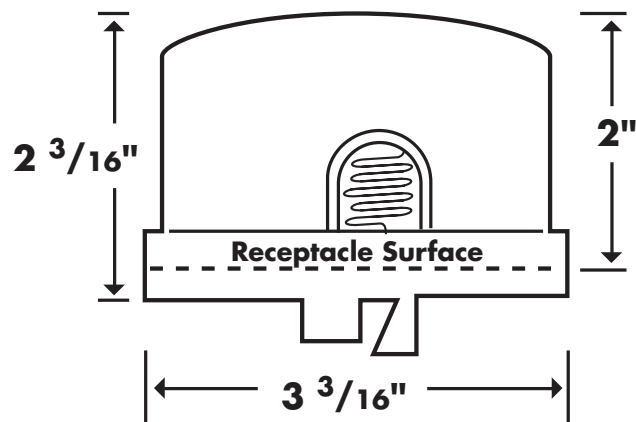
ON.

##### WARRANTY:

3 years.



#### WIRING DIAGRAMS



#### ORDERING INFO & CONTACT RATINGS

CAT. NO.	UPC CODE	VOLTAGE (VAC) 50-60Hz	LIGHT SENSOR	RATING	
				TUNGSTEN	BALLAST
5001M	61012	105-130	1"	2000W	1800VA
5004M	61013	208-277	1"	3470-4620W	2080-2770VA
5007M	61014	105-130/208-285	1/2"	2000W 3470-4620W	1800VA 2080-2770VA
5008M*	61017	480	1"	7500W	4800VA
5021M	61015	105-130	1/2"	2000W	1800VA
5024M	61016	208-277	1/2"	3470-4620W	2080-2770VA
<b>NEW!</b> 5026M**	61045	347	1/2"	5760W	3470VA

\*Not UL listed or CSA certified.  
\*\*CSA certified only. 