



## MULTI-FUNCTION CLIP, 1/4"-3/8" ROD, #12-#8 WIRE, 1/8"-7/16" FLANGE, 1/4" SCREW

### CATALOG NUMBER

**4Z4S**



### CERTIFICATIONS



### FEATURES

Provides attachment of electrical boxes

Supports #10-24 and 1/4-20 (M6) threaded bridle rings

Installs more confidence installing conduit, MC/AC, and low voltage applications

### PRODUCT ATTRIBUTES

Material: Spring Steel

Finish: nVent CADDY Armour

Rod Size (RS): 1/4";5/16";3/8"

Wire Size: #12 - #8

Flange Thickness (FT): 1/8" - 3/8"

Screw Included: Yes

Screw Diameter (Sc): 1/4"

Static Load 1 (F1): 25lb

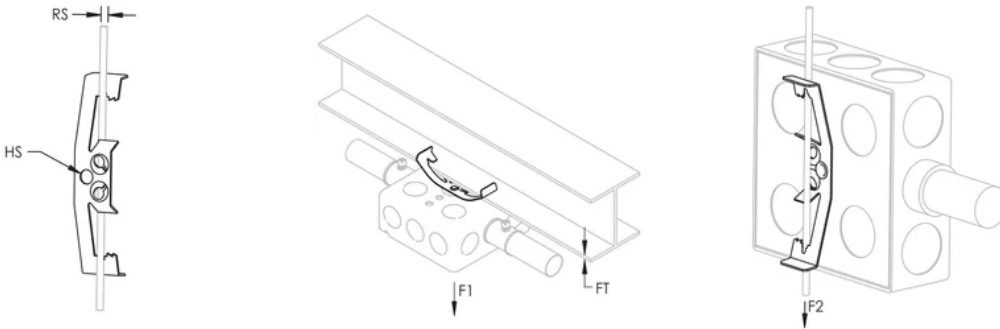
Static Load 2 (F2): 20lb

## ADDITIONAL PRODUCT DETAILS

NEC® 300.11 requires dedicated drop wire/rod and EC311.

4Z parts installed on 3/8" (M10) smooth rod in the F2 direction has a Static Load Rating of 15 lb (67 N).

## DIAGRAMS



## WARNING

nVent products shall be installed and used only as indicated in nVent's product instruction sheets and training materials. Instruction sheets are available at [www.nvent.com](http://www.nvent.com) and from your nVent customer service representative. Improper installation, misuse, misapplication or other failure to completely follow nVent's instructions and warnings may cause product malfunction, property damage, serious bodily injury and death and/or void your warranty.

### North America

+1.800.753.9221

Option 1 – Customer Care

Option 2 – Technical Support

### Europe

Netherlands:

+31 800-0200135

France:

+33 800 901 793

### Europe

Germany:

800 1890272

Other Countries:

+31 13 5835404

### APAC

Shanghai:

+ 86 21 2412 1618/19

Sydney:

+61 2 9751 8500



Our powerful portfolio of brands:  
**nVent.com CADDY ERICO HOFFMAN RAYCHEM SCHROFF**  
**TRACER**

© 2024 nVent. All nVent marks and logos are owned or licensed by nVent Services GmbH or its affiliates. All other trademarks are the property of their respective owners.

nVent reserves the right to change specifications without notice.



## MULTI-FUNCTION CLIP, 1/4"-3/8" ROD, #12-#8 WIRE, 1/8"-7/16" FLANGE, 1/4" SCREW

### CATALOG NUMBER

**4Z4S**



### CERTIFICATIONS



### FEATURES

Provides attachment of electrical boxes

Supports #10-24 and 1/4-20 (M6) threaded bridle rings

Instills more confidence installing conduit, MC/AC, and low voltage applications

### PRODUCT ATTRIBUTES

Material: Spring Steel

Finish: nVent CADDY Armour

Rod Size (RS): 1/4";5/16";3/8"

Wire Size: #12 - #8

Flange Thickness (FT): 1/8" - 3/8"

Screw Included: Yes

Screw Diameter (Sc): 1/4"

Static Load 1 (F1): 25lb

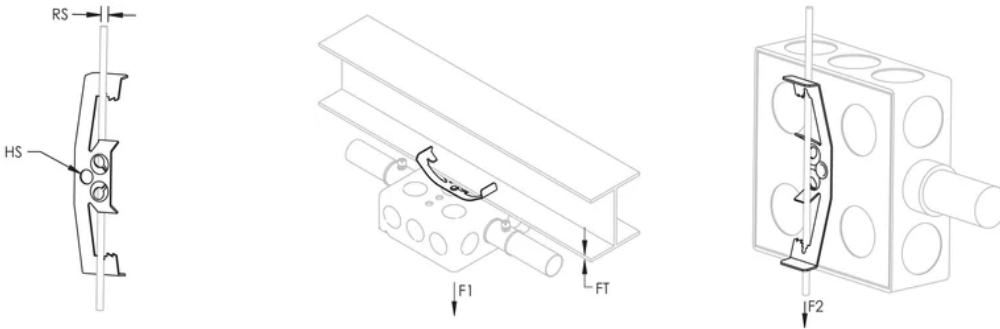
Static Load 2 (F2): 20lb

## ADDITIONAL PRODUCT DETAILS

NEC® 300.11 requires dedicated drop wire/rod and EC311.

4Z parts installed on 3/8" (M10) smooth rod in the F2 direction has a Static Load Rating of 15 lb (67 N).

## DIAGRAMS



## WARNING

nVent products shall be installed and used only as indicated in nVent's product instruction sheets and training materials. Instruction sheets are available at [www.nvent.com](http://www.nvent.com) and from your nVent customer service representative. Improper installation, misuse, misapplication or other failure to completely follow nVent's instructions and warnings may cause product malfunction, property damage, serious bodily injury and death and/or void your warranty.

### North America

+1.800.753.9221

Option 1 – Customer Care

Option 2 – Technical Support

### Europe

Netherlands:

+31 800-0200135

France:

+33 800 901 793

### Europe

Germany:

800 1890272

Other Countries:

+31 13 5835404

### APAC

Shanghai:

+ 86 21 2412 1618/19

Sydney:

+61 2 9751 8500



Our powerful portfolio of brands:  
nVent.com **CADDY ERICO HOFFMAN RAYCHEM SCHROFF**  
**TRACER**