

## DESCRIPTION

The Vaportite LED Series is an energy efficient industrial Vaportite fixture that features rugged and durable construction. The Vaportite LED incorporates a full metal fixture liner inside a reinforced fiberglass housing with a high impact diffuser. This Vaportite series is suitable for interior and exterior applications and can be surface or chain mounted.

The Vaportite LED Series has been designed for maximum operation in commercial institutional and industrial environments and can operate in a wide range of temperatures (-20°C to 25°C) and is ideal for cold storage environments.

## SPECIFICATION FEATURES

### Construction

Fiberglass housing is reinforced polyester and self-extinguishing (ASTM-D635-74) plastic of a permanent pearl gray color. A watertite hub for 1/2" conduit entry is provided at each end of housing (standard) for continuous feed. Polyurethane gasketing is formed in the housing providing a continuous seamless seal for the diffuser. Four sturdy cam latches clamp diffuser tightly for a positive seal between housing, gasketing and diffuser. Electrical components and fixtures are UL/ cUL listed for Wet Locations.

### Electrical

Long-Life LED system coupled with electrical driver to deliver optimal performance. LED's available in 3500, 4000 and 5000K with a CRI ≥ 85. Projected life is 60,000 hours at 91% lumen output. cULus listed. Electronic drivers are available for 120-277V applications. A 0-10V dimming control is available (standard). IP65 rated and NSF certified (4' only).

### Lens

DR=Internal Prismatic Lens/15% DR High Impact Additive.  
DR100=Internal Prismatic Lens/100% DR High Impact Additive.

### Warranty

Vaportite LED features a five year limited warranty.

### Compliance

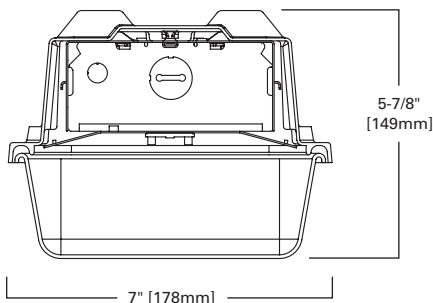
UL/cUL listed for Wet location. RoHS compliant, and LED modules comply with IESNA LM-79 and LM-80 standards. DesignLights Consortium™ Qualified and classified for DLC Standard, refer to [www.designlights.org](http://www.designlights.org) for details.



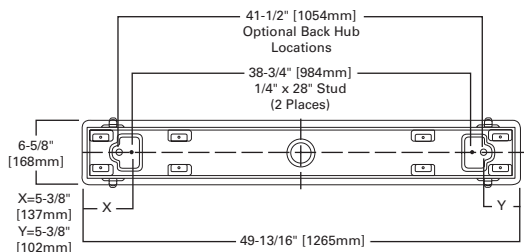
## VAPORTITE LED

### 4' INDUSTRIAL LED LAMP

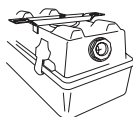
Vaportite Industrial Refrigerated Case



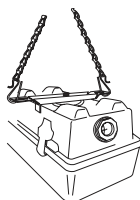
## MOUNTING DATA



## INSTALLATION DATA



**MOUNTING BRACKETS**  
Furnished  
Two per 2' and 4' Unit  
Four per 8' Unit



**OPTIONAL CHAN HANGING SET**  
(VT2-CHAIN/SET-U)  
Includes 6 ft. of chain, 4 large S-Hooks and 4 small S-Hooks  
Order One (1) Kit for each 2' or 4' Fixture

## ENERGY DATA

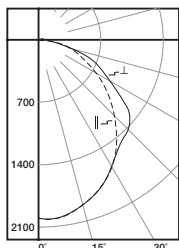
Input Watts:  
4VT2-LD4-4 (4,000 lumens)=38W  
4VT2-LD4-6 (6,000 lumens)=57.3W  
4VT2-LD4-8 (8,000 lumens)=81.1W

## LINEAR DISCONNECT

Safe and convenient means of disconnecting power



PHOTOMETRICS



4VT2-LD4-6-DR-UNV-L835-CD1-U

Electronic Driver  
 Linear LED 3500K  
 Spacing criterion:  
 (H) 1.2 x mounting  
 height, (L) 1.2 x  
 mounting height  
 Lumens: 5882  
 Input Watts: 56W  
 Efficacy: 104.7 lm/W  
 Test Report:  
 4VT2-LD4-6-DR-  
 UNV-L835-CD1-U.  
 IES

Candlepower

| Angle | Along H | 45°  | Across L |
|-------|---------|------|----------|
| 0     | 2000    | 2000 | 2000     |
| 5     | 2007    | 1979 | 1980     |
| 10    | 1981    | 1951 | 1956     |
| 15    | 1930    | 1900 | 1903     |
| 20    | 1857    | 1836 | 1844     |
| 25    | 1764    | 1748 | 1765     |
| 30    | 1645    | 1646 | 1660     |
| 35    | 1511    | 1522 | 1534     |
| 40    | 1375    | 1393 | 1468     |
| 45    | 1221    | 1271 | 1438     |
| 50    | 1062    | 1207 | 1343     |
| 55    | 903     | 1175 | 1148     |
| 60    | 749     | 1048 | 933      |
| 65    | 600     | 1151 | 771      |
| 70    | 461     | 591  | 600      |
| 75    | 332     | 398  | 426      |
| 80    | 206     | 249  | 255      |
| 85    | 94      | 137  | 127      |
| 90    | 34      | 75   | 63       |

Coefficients of Utilization

| rc<br>rw<br>RCR | Effective floor cavity reflectance 20% |     |     |     |     |     |     |     |     |     |     |     |     |     |     |     |    |    |    |    |    |  |
|-----------------|--|-----|-----|-----|-----|-----|-----|-----|-----|-----|-----|-----|-----|-----|-----|-----|----|----|----|----|----|--|
|                 | 80%                                    |     |     |     | 70% |     |     |     | 50% |     |     |     | 30% |     |     |     |    |    |    |    |    |  |
|                 | 70                                     | 50  | 30  | 10  | 70  | 50  | 30  | 10  | 50  | 30  | 10  | 50  | 30  | 10  | 50  | 30  | 10 | 50 | 30 | 10 | 0% |  |
| 0               | 119                                    | 119 | 119 | 116 | 116 | 116 | 116 | 110 | 110 | 110 | 105 | 105 | 105 | 101 | 101 | 101 | 99 |    |    |    |    |  |
| 1               | 108                                    | 103 | 98  | 94  | 105 | 101 | 96  | 93  | 96  | 93  | 90  | 92  | 89  | 87  | 88  | 86  | 84 | 82 |    |    |    |  |
| 2               | 98                                     | 89  | 82  | 76  | 95  | 87  | 81  | 75  | 84  | 78  | 73  | 80  | 75  | 71  | 77  | 73  | 70 | 67 |    |    |    |  |
| 3               | 89                                     | 78  | 70  | 63  | 86  | 76  | 69  | 62  | 73  | 67  | 61  | 70  | 65  | 60  | 68  | 63  | 59 | 56 |    |    |    |  |
| 4               | 81                                     | 69  | 60  | 53  | 79  | 68  | 59  | 53  | 65  | 58  | 52  | 62  | 56  | 51  | 60  | 55  | 50 | 48 |    |    |    |  |
| 5               | 75                                     | 62  | 52  | 46  | 73  | 60  | 52  | 45  | 58  | 51  | 45  | 56  | 49  | 44  | 54  | 48  | 44 | 41 |    |    |    |  |
| 6               | 69                                     | 55  | 46  | 40  | 67  | 54  | 46  | 40  | 52  | 45  | 39  | 51  | 44  | 39  | 49  | 43  | 38 | 36 |    |    |    |  |
| 7               | 64                                     | 50  | 41  | 35  | 62  | 49  | 41  | 35  | 48  | 40  | 35  | 46  | 39  | 34  | 45  | 38  | 34 | 32 |    |    |    |  |
| 8               | 59                                     | 46  | 37  | 31  | 58  | 45  | 37  | 31  | 44  | 36  | 31  | 42  | 35  | 31  | 41  | 35  | 30 | 28 |    |    |    |  |
| 9               | 56                                     | 42  | 34  | 28  | 54  | 41  | 33  | 28  | 40  | 33  | 28  | 39  | 32  | 28  | 38  | 32  | 27 | 25 |    |    |    |  |
| 10              | 52                                     | 39  | 31  | 25  | 51  | 38  | 31  | 25  | 37  | 30  | 25  | 36  | 30  | 25  | 35  | 29  | 25 | 23 |    |    |    |  |

Zonal Lumen Summary

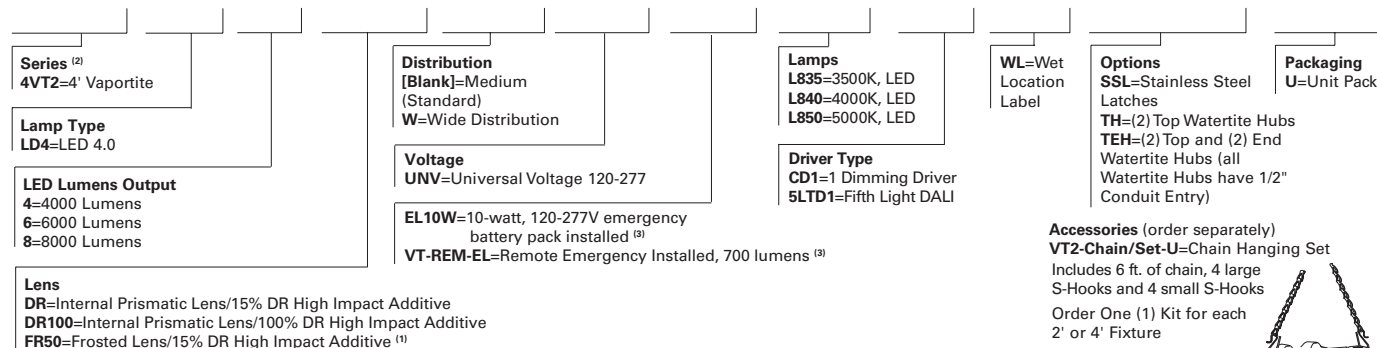
| Zone  | Lumens | % Fixture |
|-------|--------|-----------|
| 0-30  | 1536   | 26.1      |
| 0-40  | 2490   | 42.3      |
| 0-60  | 4463   | 75.9      |
| 0-90  | 5804   | 98.7      |
| 0-180 | 5882   | 100.0     |

LUMEN MAINTENANCE

| Ambient Temperature | TM-21 Lumen Maintenance (60,000 hours) | Theoretical L70 (Hours) |
|---------------------|--|-------------------------|
| 25°C                | > 91%                                  | > 247,000               |

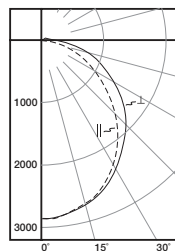
ORDERING INFORMATION

SAMPLE NUMBER: 4VT2-LD4-4-DR-UNV-L840-CD1-WL-U



NOTES: (1) Not available in wide distribution. (2) DesignLights Consortium™ Qualified and classified for DLC Standard (some models are not DLC qualified), refer to www.designlights.org for details. (3) EL must specify 120 or 277V only.

Specifications & dimensions subject to change without notice. Consult your Eaton Representative for availability and ordering information.



4VT2-LD4-8-FR50-UNV-L835-CD1-WL-U

Electronic Driver  
 Linear LED 3500K  
 Spacing criterion:  
 (H) 1.2 x mounting  
 height, (L) 1.3 x  
 mounting height  
 Lumens: 8553  
 Input Watts: 81W  
 Efficacy: 105.5 lm/W  
 Test Report:  
 4VT2-LD4-8-FR50-  
 UNV-L835-CD1-WL-  
 U.IES

Candlepower

| Angle | Along H | 45°  | Across L |
|-------|---------|------|----------|
| 0     | 2854    | 2854 | 2854     |
| 5     | 2857    | 2829 | 2842     |
| 10    | 2811    | 2790 | 2804     |
| 15    | 2733    | 2723 | 2742     |
| 20    | 2626    | 2629 | 2658     |
| 25    | 2484    | 2508 | 2545     |
| 30    | 2316    | 2365 | 2408     |
| 35    | 2120    | 2195 | 2253     |
| 40    | 1904    | 2011 | 2086     |
| 45    | 1678    | 1819 | 1914     |
| 50    | 1451    | 1622 | 1736     |
| 55    | 1222    | 1422 | 1558     |
| 60    | 1009    | 1229 | 1368     |
| 65    | 810     | 1034 | 1171     |
| 70    | 622     | 843  | 959      |
| 75    | 446     | 659  | 748      |
| 80    | 287     | 487  | 555      |
| 85    | 148     | 341  | 392      |
| 90    | 45      | 228  | 271      |

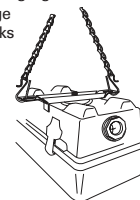
Coefficients of Utilization

| rc<br>rw<br>RCR | Effective floor cavity reflectance 20% |     |     |     |     |     |     |     |     |     |     |     |     |    |    |    |    |    |    |    |    |  |
|-----------------|--|-----|-----|-----|-----|-----|-----|-----|-----|-----|-----|-----|-----|----|----|----|----|----|----|----|----|--|
|                 | 80%                                    |     |     |     | 70% |     |     |     | 50% |     |     |     | 30% |    |    |    |    |    |    |    |    |  |
|                 | 70                                     | 50  | 30  | 10  | 70  | 50  | 30  | 10  | 50  | 30  | 10  | 50  | 30  | 10 | 50 | 30 | 10 | 50 | 30 | 10 | 0% |  |
| 0               | 118                                    | 118 | 118 | 115 | 115 | 115 | 115 | 109 | 109 | 109 | 104 | 104 | 104 | 99 | 99 | 99 | 96 |    |    |    |    |  |
| 1               | 107                                    | 102 | 97  | 93  | 104 | 99  | 95  | 91  | 94  | 91  | 87  | 90  | 87  | 84 | 85 | 83 | 81 | 79 |    |    |    |  |
| 2               | 97                                     | 88  | 81  | 75  | 94  | 86  | 79  | 74  | 82  | 76  | 72  | 78  | 73  | 69 | 74 | 71 | 67 | 65 |    |    |    |  |
| 3               | 88                                     | 77  | 69  | 62  | 85  | 75  | 68  | 61  | 72  | 65  | 60  | 69  | 63  | 58 | 66 | 61 | 57 | 54 |    |    |    |  |
| 4               | 81                                     | 68  | 59  | 53  | 78  | 67  | 58  | 52  | 64  | 57  | 51  | 61  | 55  | 50 | 59 | 53 | 49 | 46 |    |    |    |  |
| 5               | 74                                     | 61  | 52  | 45  | 72  | 60  | 51  | 45  | 57  | 50  | 44  | 55  | 48  | 43 | 53 | 47 | 42 | 40 |    |    |    |  |
| 6               | 69                                     | 55  | 46  | 39  | 66  | 54  | 45  | 39  | 52  | 44  | 38  | 50  | 43  | 38 | 48 | 42 | 37 | 35 |    |    |    |  |
| 7               | 64                                     | 50  | 41  | 35  | 62  | 49  | 41  | 35  | 47  | 40  | 34  | 45  | 39  | 34 | 44 | 38 | 33 | 31 |    |    |    |  |
| 8               | 59                                     | 46  | 37  | 31  | 57  | 45  | 37  | 31  | 43  | 36  | 30  | 42  | 35  | 30 | 40 | 34 | 30 | 28 |    |    |    |  |
| 9               | 55                                     | 42  | 34  | 28  | 54  | 41  | 33  | 28  | 40  | 32  | 27  | 38  | 32  | 27 | 37 | 31 | 27 | 25 |    |    |    |  |
| 10              | 52                                     | 39  | 31  | 25  | 50  | 38  | 30  | 25  | 37  | 30  | 25  | 36  | 29  | 25 | 34 | 29 | 24 | 23 |    |    |    |  |

Zonal Lumen Summary

| Zone  | Lumens | % Fixture |
|-------|--------|-----------|
| 0-30  | 2200   | 25.7      |
| 0-40  | 3573   | 41.8      |
| 0-60  | 6232   | 96.4      |
| 0-90  | 8248   | 100.0     |
| 0-180 | 8553   | 100.0     |

Accessories (order separately)  
**VT2-Chain/Set-U**=Chain Hanging Set  
 Includes 6 ft. of chain, 4 large S-Hooks and 4 small S-Hooks  
 Order One (1) Kit for each 2' or 4' Fixture  
**VT2-SS-MBK**=Stainless Steel Mounting Bracket



SHIPPING DATA

| Catalog No. | Wt.     |
|-------------|---------|
| 4VT2-LD4    | 18 lbs. |

## DESCRIPTION

The Vaportite LED Series is an energy efficient industrial Vaportite fixture that features rugged and durable construction. The Vaportite LED incorporates a full metal fixture liner inside a reinforced fiberglass housing with a high impact diffuser. This Vaportite series is suitable for interior and exterior applications and can be surface or chain mounted.

The Vaportite LED Series has been designed for maximum operation in commercial institutional and industrial environments and can operate in a wide range of temperatures (-20°C to 25°C) and is ideal for cold storage environments.

## SPECIFICATION FEATURES

### Construction

Fiberglass housing is reinforced polyester and self-extinguishing (ASTM-D635-74) plastic of a permanent pearl gray color. A watertite hub for 1/2" conduit entry is provided at each end of housing (standard) for continuous feed. Polyurethane gasketing is formed in the housing providing a continuous seamless seal for the diffuser. Four sturdy cam latches clamp diffuser tightly for a positive seal between housing, gasketing and diffuser. Electrical components and fixtures are UL/ cUL listed for Wet Locations.

### Electrical

Long-Life LED system coupled with electrical driver to deliver optimal performance. LED's available in 3500, 4000 and 5000K with a CRI  $\geq$  85. Projected life is 60,000 hours at 91% lumen output. cULus listed. Electronic drivers are available for 120-277V applications. A 0-10V dimming control is available (standard). IP65 rated and NSF certified (4' only).

### Lens

DR=Internal Prismatic Lens/15% DR High Impact Additive.  
DR100=Internal Prismatic Lens/100% DR High Impact Additive.

### Warranty

Vaportite LED features a five year limited warranty.

### Compliance

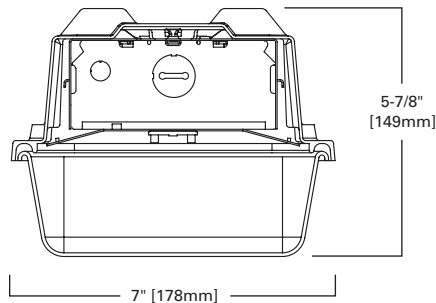
UL/cUL listed for Wet location. RoHS compliant, and LED modules comply with IESNA LM-79 and LM-80 standards. DesignLights Consortium™ Qualified and classified for DLC Standard, refer to [www.designlights.org](http://www.designlights.org) for details.



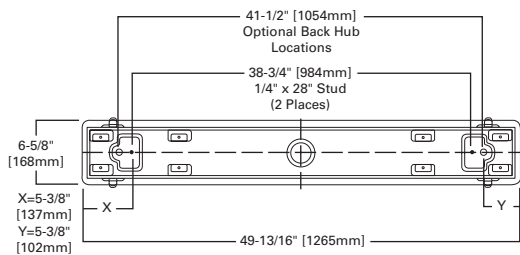
## VAPORTITE LED

### 4' INDUSTRIAL LED LAMP

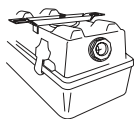
Vaportite Industrial Refrigerated Case



## MOUNTING DATA



## INSTALLATION DATA



**MOUNTING BRACKETS**  
Furnished  
Two per 2' and 4' Unit  
Four per 8' Unit



**OPTIONAL CHAN HANGING SET**  
(VT2-CHAIN/SET-U)  
Includes 6 ft. of chain, 4 large S-Hooks and 4 small S-Hooks  
Order One (1) Kit for each 2' or 4' Fixture

## ENERGY DATA

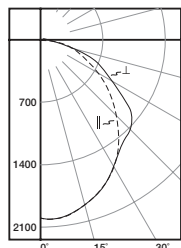
Input Watts:  
4VT2-LD4-4 (4,000 lumens)=38W  
4VT2-LD4-6 (6,000 lumens)=57.3W  
4VT2-LD4-8 (8,000 lumens)=81.1W

## LINEAR DISCONNECT

Safe and convenient means of disconnecting power

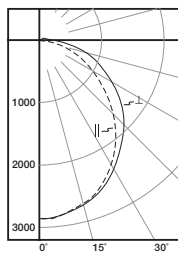


PHOTOMETRICS



**4VT2-LD4-6-DR-UNV-L835-CD1-U**  
 Electronic Driver  
 Linear LED 3500K  
 Spacing criterion:  
 (H) 1.2 x mounting  
 height, (L) 1.2 x  
 mounting height  
 Lumens: 5882  
 Input Watts: 56W  
 Efficacy: 104.7 lm/W  
 Test Report:  
 4VT2-LD4-6-DR-  
 UNV-L835-CD1-U.  
 IES

| Angle | Along H | 45°  | Across L |
|-------|---------|------|----------|
| 0     | 2000    | 2000 | 2000     |
| 5     | 2007    | 1979 | 1980     |
| 10    | 1981    | 1951 | 1956     |
| 15    | 1930    | 1900 | 1903     |
| 20    | 1857    | 1836 | 1844     |
| 25    | 1764    | 1748 | 1765     |
| 30    | 1645    | 1646 | 1660     |
| 35    | 1511    | 1522 | 1534     |
| 40    | 1375    | 1393 | 1468     |
| 45    | 1221    | 1271 | 1438     |
| 50    | 1062    | 1207 | 1343     |
| 55    | 903     | 1175 | 1148     |
| 60    | 749     | 1048 | 933      |
| 65    | 600     | 1151 | 771      |
| 70    | 461     | 591  | 600      |
| 75    | 332     | 398  | 426      |
| 80    | 206     | 249  | 255      |
| 85    | 94      | 137  | 127      |
| 90    | 34      | 75   | 63       |



**4VT2-LD4-8-FR50-UNV-L835-CD1-WL-U**  
 Electronic Driver  
 Linear LED 3500K  
 Spacing criterion:  
 (H) 1.2 x mounting  
 height, (L) 1.3 x  
 mounting height  
 Lumens: 8553  
 Input Watts: 81W  
 Efficacy: 105.5 lm/W  
 Test Report:  
 4VT2-LD4-8-FR50-  
 UNV-L835-CD1-WL-  
 U.IES

| Angle | Along H | 45°  | Across L |
|-------|---------|------|----------|
| 0     | 2854    | 2854 | 2854     |
| 5     | 2857    | 2829 | 2842     |
| 10    | 2811    | 2790 | 2804     |
| 15    | 2733    | 2723 | 2742     |
| 20    | 2626    | 2629 | 2658     |
| 25    | 2484    | 2508 | 2545     |
| 30    | 2316    | 2365 | 2408     |
| 35    | 2120    | 2195 | 2253     |
| 40    | 1904    | 2011 | 2086     |
| 45    | 1678    | 1819 | 1914     |
| 50    | 1451    | 1622 | 1736     |
| 55    | 1222    | 1422 | 1558     |
| 60    | 1009    | 1229 | 1368     |
| 65    | 810     | 1034 | 1171     |
| 70    | 622     | 843  | 959      |
| 75    | 446     | 659  | 748      |
| 80    | 287     | 487  | 555      |
| 85    | 148     | 341  | 392      |
| 90    | 45      | 228  | 271      |

Coefficients of Utilization

| rc<br>rw<br>RCR | Effective floor cavity reflectance 20% |     |     |     |     |     |     |     |     |     |     |     |     |     |     |     |     |    |    |    |    |  |
|-----------------|--|-----|-----|-----|-----|-----|-----|-----|-----|-----|-----|-----|-----|-----|-----|-----|-----|----|----|----|----|--|
|                 | 80%                                    |     |     |     | 70% |     |     |     | 50% |     |     |     | 30% |     |     |     | 10% |    |    |    | 0% |  |
|                 | 70                                     | 50  | 30  | 10  | 70  | 50  | 30  | 10  | 50  | 30  | 10  | 50  | 30  | 10  | 50  | 30  | 10  | 50 | 30 | 10 | 0  |  |
| 0               | 119                                    | 119 | 119 | 116 | 116 | 116 | 116 | 110 | 110 | 110 | 105 | 105 | 105 | 101 | 101 | 101 | 99  |    |    |    |    |  |
| 1               | 108                                    | 103 | 98  | 94  | 105 | 101 | 96  | 93  | 96  | 93  | 90  | 92  | 89  | 87  | 88  | 86  | 84  | 82 |    |    |    |  |
| 2               | 98                                     | 89  | 82  | 76  | 95  | 87  | 81  | 75  | 84  | 78  | 73  | 80  | 75  | 71  | 77  | 73  | 70  | 67 |    |    |    |  |
| 3               | 89                                     | 78  | 70  | 63  | 86  | 76  | 69  | 62  | 73  | 67  | 61  | 70  | 65  | 60  | 68  | 63  | 59  | 56 |    |    |    |  |
| 4               | 81                                     | 69  | 60  | 53  | 79  | 68  | 59  | 53  | 65  | 58  | 52  | 62  | 56  | 51  | 60  | 55  | 50  | 48 |    |    |    |  |
| 5               | 75                                     | 62  | 52  | 46  | 73  | 60  | 52  | 45  | 58  | 51  | 45  | 56  | 49  | 44  | 54  | 48  | 44  | 41 |    |    |    |  |
| 6               | 69                                     | 55  | 46  | 40  | 67  | 54  | 46  | 40  | 52  | 45  | 39  | 51  | 44  | 39  | 49  | 43  | 38  | 36 |    |    |    |  |
| 7               | 64                                     | 50  | 41  | 35  | 62  | 49  | 41  | 35  | 48  | 40  | 35  | 46  | 39  | 34  | 45  | 38  | 34  | 32 |    |    |    |  |
| 8               | 59                                     | 46  | 37  | 31  | 58  | 45  | 37  | 31  | 44  | 36  | 31  | 42  | 35  | 31  | 41  | 35  | 30  | 28 |    |    |    |  |
| 9               | 56                                     | 42  | 34  | 28  | 54  | 41  | 33  | 28  | 40  | 33  | 28  | 39  | 32  | 28  | 38  | 32  | 27  | 25 |    |    |    |  |
| 10              | 52                                     | 39  | 31  | 25  | 51  | 38  | 31  | 25  | 37  | 30  | 25  | 36  | 30  | 25  | 35  | 29  | 25  | 23 |    |    |    |  |

Zonal Lumen Summary

| Zone  | Lumens | % Fixture |
|-------|--------|-----------|
| 0-30  | 1536   | 26.1      |
| 0-40  | 2490   | 42.3      |
| 0-60  | 4463   | 75.9      |
| 0-90  | 5804   | 98.7      |
| 0-180 | 5882   | 100.0     |

Coefficients of Utilization

| rc<br>rw<br>RCR | Effective floor cavity reflectance 20% |     |     |     |     |     |     |     |     |     |     |     |     |     |    |    |     |    |    |    |    |  |
|-----------------|--|-----|-----|-----|-----|-----|-----|-----|-----|-----|-----|-----|-----|-----|----|----|-----|----|----|----|----|--|
|                 | 80%                                    |     |     |     | 70% |     |     |     | 50% |     |     |     | 30% |     |    |    | 10% |    |    |    | 0% |  |
|                 | 70                                     | 50  | 30  | 10  | 70  | 50  | 30  | 10  | 50  | 30  | 10  | 50  | 30  | 10  | 50 | 30 | 10  | 50 | 30 | 10 | 0  |  |
| 0               | 118                                    | 118 | 118 | 118 | 115 | 115 | 115 | 115 | 109 | 109 | 109 | 104 | 104 | 104 | 99 | 99 | 99  | 96 |    |    |    |  |
| 1               | 107                                    | 102 | 97  | 93  | 104 | 99  | 95  | 91  | 94  | 91  | 87  | 90  | 87  | 84  | 85 | 83 | 81  | 79 |    |    |    |  |
| 2               | 97                                     | 88  | 81  | 75  | 94  | 86  | 79  | 74  | 82  | 76  | 72  | 78  | 73  | 69  | 74 | 71 | 67  | 65 |    |    |    |  |
| 3               | 88                                     | 77  | 69  | 62  | 85  | 75  | 68  | 61  | 72  | 65  | 60  | 69  | 63  | 58  | 66 | 61 | 57  | 54 |    |    |    |  |
| 4               | 81                                     | 68  | 59  | 53  | 78  | 67  | 58  | 52  | 64  | 57  | 51  | 61  | 55  | 50  | 59 | 53 | 49  | 46 |    |    |    |  |
| 5               | 74                                     | 61  | 52  | 45  | 72  | 60  | 51  | 45  | 57  | 50  | 44  | 55  | 48  | 43  | 53 | 47 | 42  | 40 |    |    |    |  |
| 6               | 69                                     | 55  | 46  | 39  | 66  | 54  | 45  | 39  | 52  | 44  | 38  | 50  | 43  | 38  | 48 | 42 | 37  | 35 |    |    |    |  |
| 7               | 64                                     | 50  | 41  | 35  | 62  | 49  | 41  | 35  | 47  | 40  | 34  | 45  | 39  | 34  | 44 | 38 | 33  | 31 |    |    |    |  |
| 8               | 59                                     | 46  | 37  | 31  | 57  | 45  | 37  | 31  | 43  | 36  | 30  | 42  | 35  | 30  | 40 | 34 | 30  | 28 |    |    |    |  |
| 9               | 55                                     | 42  | 34  | 28  | 54  | 41  | 33  | 28  | 40  | 32  | 27  | 38  | 32  | 27  | 37 | 31 | 27  | 25 |    |    |    |  |
| 10              | 52                                     | 39  | 31  | 25  | 50  | 38  | 30  | 25  | 37  | 30  | 25  | 36  | 29  | 25  | 34 | 29 | 24  | 23 |    |    |    |  |

Zonal Lumen Summary

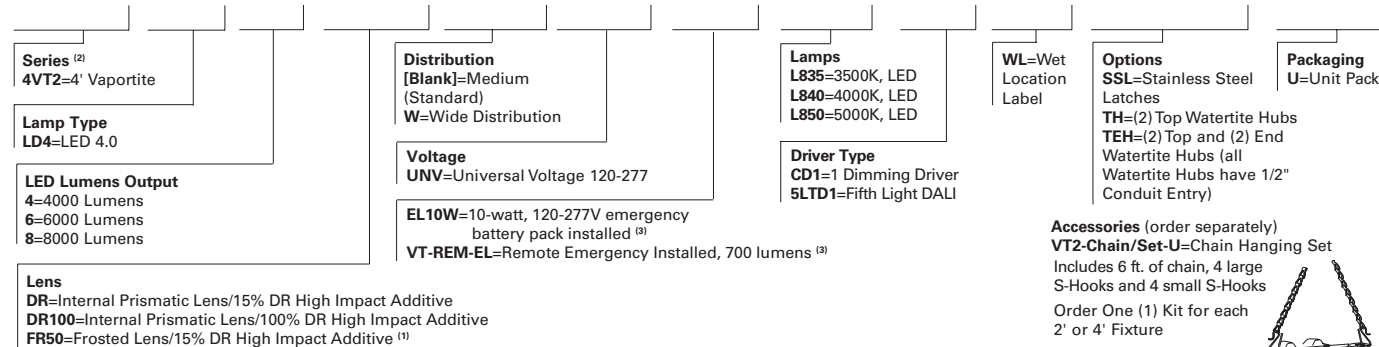
| Zone  | Lumens | % Fixture |
|-------|--------|-----------|
| 0-30  | 2200   | 25.7      |
| 0-40  | 3573   | 41.8      |
| 0-60  | 6232   | 96.4      |
| 0-90  | 8248   | 100.0     |
| 0-180 | 8553   | 100.0     |

LUMEN MAINTENANCE

| Ambient Temperature | TM-21 Lumen Maintenance (60,000 hours) | Theoretical L70 (Hours) |
|---------------------|--|-------------------------|
| 25°C                | > 91%                                  | > 247,000               |

ORDERING INFORMATION

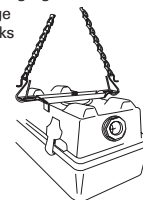
SAMPLE NUMBER: 4VT2-LD4-4-DR-UNV-L840-CD1-WL-U



NOTES: <sup>(1)</sup> Not available in wide distribution. <sup>(2)</sup> DesignLights Consortium™ Qualified and classified for DLC Standard (some models are not DLC qualified), refer to www.designlights.org for details. <sup>(3)</sup> EL must specify 120 or 277V only.

Specifications & dimensions subject to change without notice. Consult your Eaton Representative for availability and ordering information.

**Accessories (order separately)**  
**VT2-Chain/Set-U=Chain Hanging Set**  
 Includes 6 ft. of chain, 4 large S-Hooks and 4 small S-Hooks  
 Order One (1) Kit for each 2' or 4' Fixture  
**VT2-SS-MBK=Stainless Steel Mounting Bracket**



SHIPPING DATA

| Catalog No. | Wt.     |
|-------------|---------|
| 4VT2-LD4    | 18 lbs. |



Eaton  
 1121 Highway 74 South  
 Peachtree City, GA 30269  
 P: 770-486-4800  
 www.eaton.com/lighting

Specifications and dimensions subject to change without notice.