



MILBANK
ENERGY AT WORK

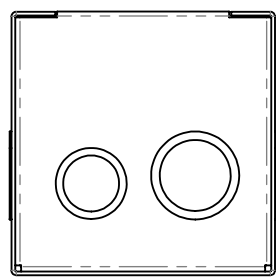
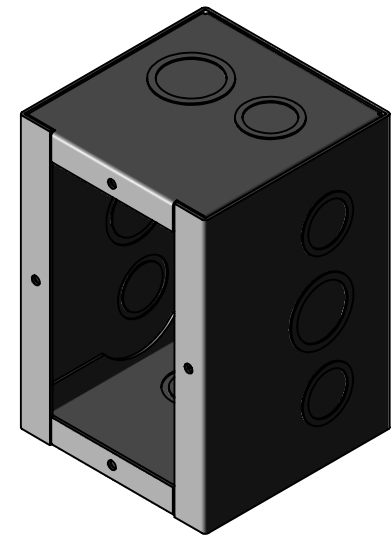
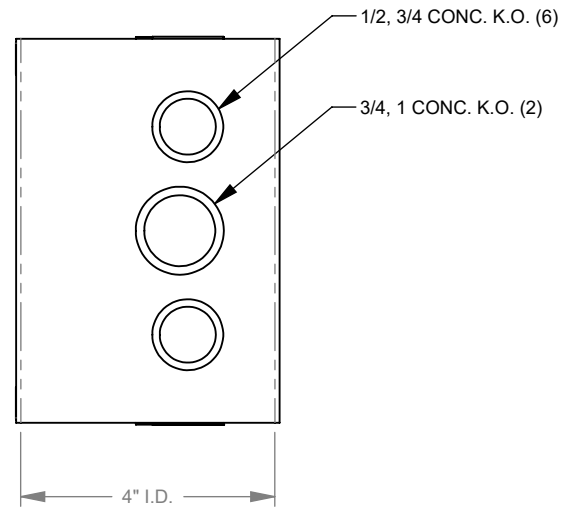
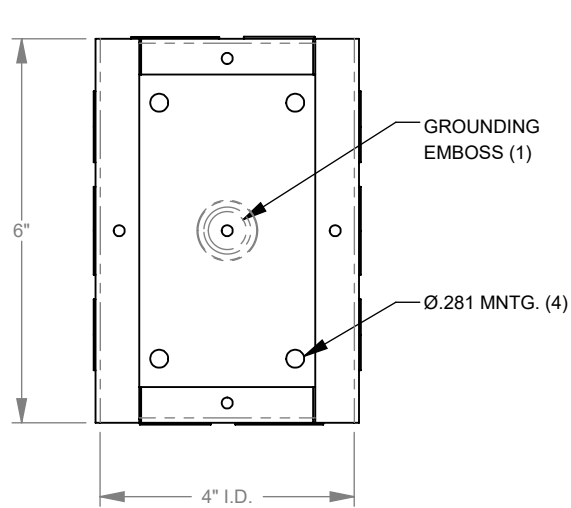
464-SC1



Catalog Number	464-SC1
Marketing Product Description	6x4X4 Screw Cover Type 1 UL Listed Steel Knockouts ANSI 61 Gray Cover With Teardrop Slots Mounting Holes In Back
UPC	784572107045
Length (IN)	4
Width (IN)	4
Height (IN)	6
Weight (LB)	2.8
Brand Name	Milbank
Type	Screw Cover
Application	Enclosure for Mounting Electrical Equipment
Standard	UL Listed
Number Of Outlet	0
Material	Steel with Powder Coat Finish
Size	4L x 4W x 6H
Color	ANSI 61 Gray
Construction	Welded
Cable Entry	Knockouts
Mounting	Wall Mount
NEMA Rating	Type 1
Hinge Type	No Hinge

Top	Plain Top
Door	Cover
Latch	Cover Secured with Plated Screws
Support	Formed and Spot Welded

Please consult serving utility for their requirements prior to ordering or installing, as specifications and approvals vary by utility and may require local electrical inspector approval. All installations must be installed by a licensed electrician and must comply with all national and local codes, laws and regulations. Milbank reserves the right to make changes in specifications and features shown without notice or obligation.



Version:

1

**All dimensions are +/- 1/16".
Drawing views are not to scale.**

Please consult serving utility for their requirements prior to ordering or installing, as specifications and approvals vary by utility, and may require local electrical inspector approval. All installations must be installed by a licensed electrician and must comply with all national and local codes, laws and regulations. Milbank reserves the right to make changes in specifications and features shown without notice or obligation.