

WIREMOLD

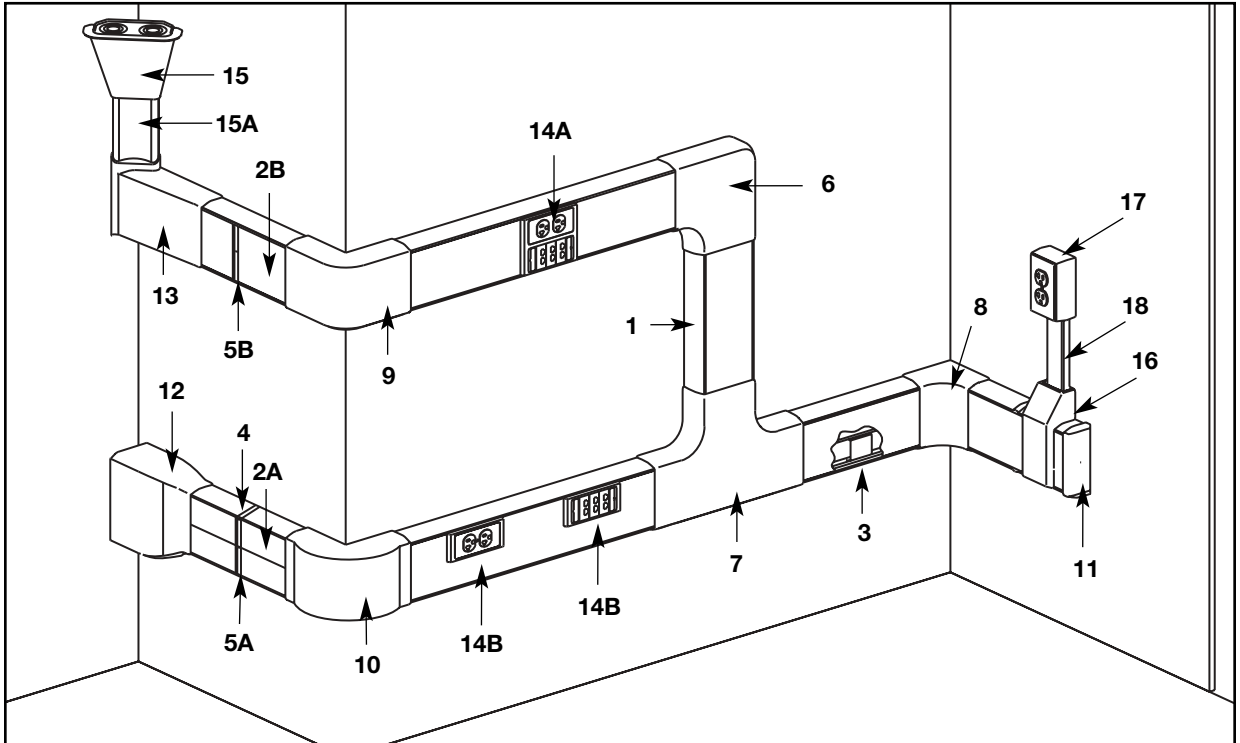


CableSmart™ 40N2 & 60N2 Series Nonmetallic Surface Raceway System INSTALLATION INSTRUCTIONS

Installation Instruction No.: 42138R2 – Updated July 2005

Wiremold Electrical Systems conform to and should be installed and properly grounded in compliance with requirements of the current National Electrical Code, Canadian Electrical Code, or codes administered by local authorities.

All electrical products may represent possible shock or fire hazard if improperly installed or used. Wiremold electrical products are UL listed, made for interior use only, and should be installed in conformance with current local and/or the National Electrical Code.

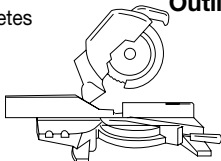


- | | | |
|----------------------|-----------------------|-----------------------------|
| 1 – 40N2B08, 60N2B08 | 7 – 40N2F15, 60N2F15 | 14B – 40N2F31 |
| 2A – 40N2C08 | 8 – 40N2F17, 60N2F17 | 15 – MXN2F21 |
| 2B – 60N2C08 | 9 – 40N2F18, 60N2F18 | 15A – MXN2A08 |
| 3 – 40N2FWC, 60N2FWC | 10 – 40N2F19, 60N2F19 | 16 – 40N2F74, 60N2F74 |
| 4 – 40N2F05, 60N2F05 | 11 – 40N2F20, 60N2F20 | 17 – PSB1 |
| 5A – 40N2F06 | 12 – 40N2F21, 60N2F21 | 18 – PN03, PN05, PN10, PN20 |
| 5B – 60N2F06 | 13 – 60N2F8R, 60N2F8L | |
| 6 – 40N2F11, 60N2F11 | 14A – 60N2F32 | |

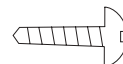


Recommended Cutting Tools & Fasteners* Herramientas de corte y sujetadores recomendados** Outil de coupe et attaches recommandés***

Miter Saw
Use una sierra de ingletes
Scie à onglet

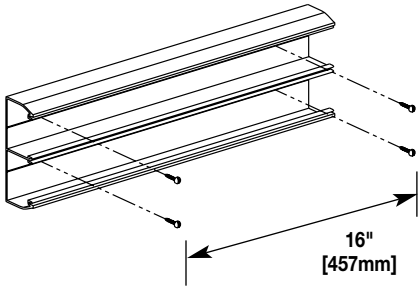


* Not supplied.
** No se incluye(n).
*** Non fournis.



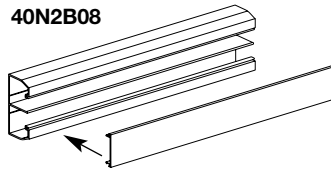
Use a #8 [5/16", 7.9mm Head Size] Pan Head Screw or equivalent.
Use un tornillo de cabeza redonda N° 8 (con cabeza de 7.9mm [5/16"] o equivalente).
Utilisez une vis BER n°8 (tête do 7,9mm [5/16 po]) ou équivalent.

1 40N2B08, 60N2B08

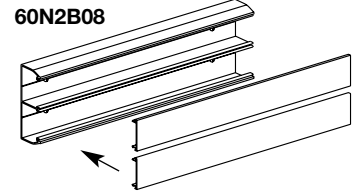


2A 40N2C08

40N2B08

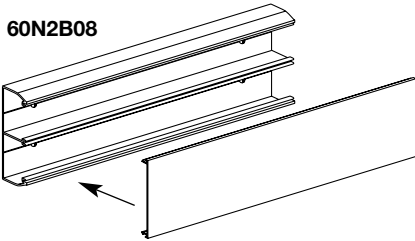


60N2B08



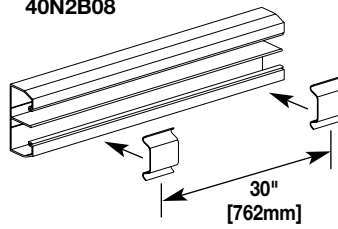
2B 60N2C08

60N2B08

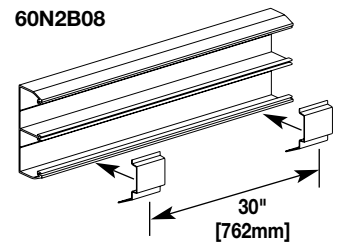


3 40N2FWC, 60N2FWC

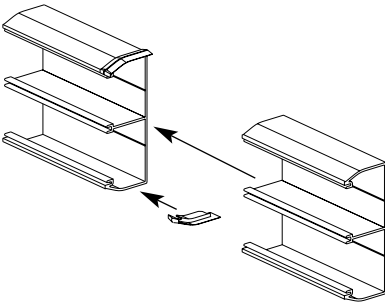
40N2B08



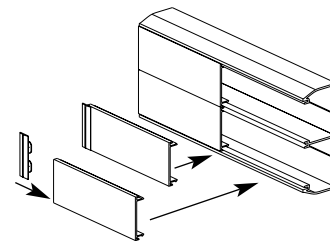
60N2B08



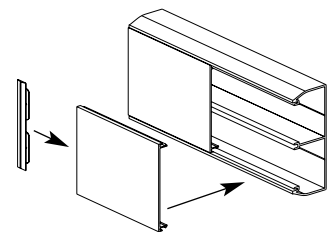
4 40N2F05, 60N2F05



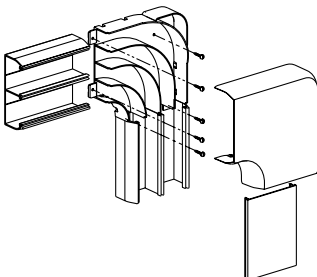
5A 40N2F06



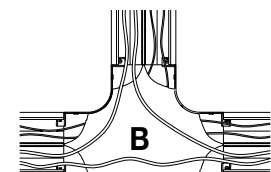
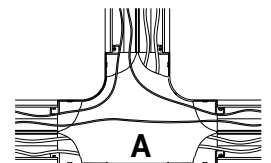
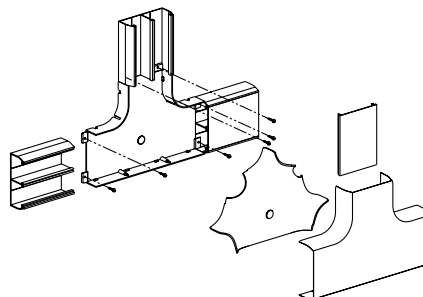
5B 60N2F06



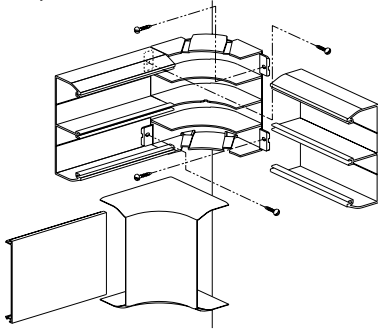
6 40N2F11, 60N2F11



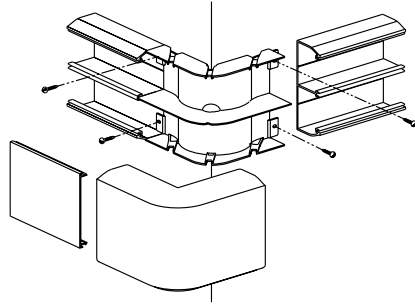
7 40N2F15, 60N2F15



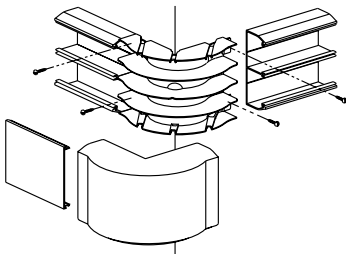
8 40N2F17, 60N2F17



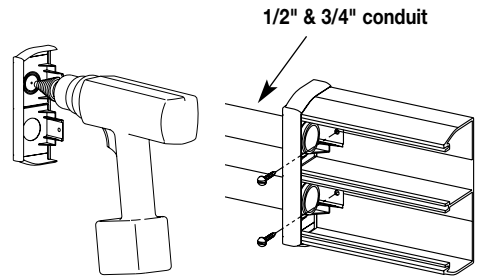
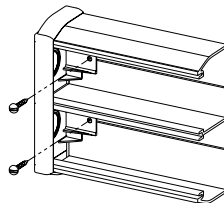
9 60N2F18



10 40N2F19, 60N2F19



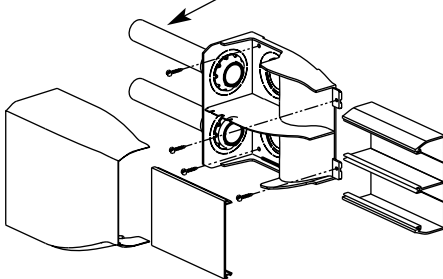
11 40N2F20, 60N2F20



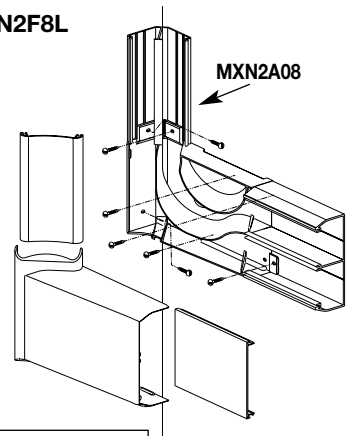
12 40N2F21, 60N2F21

3/4", 1", 1 1/4", and 1 1/2"
Conduit for 40N2F21

1", 1 1/4", 1 1/2", and 2"
Conduit for 60N2F21

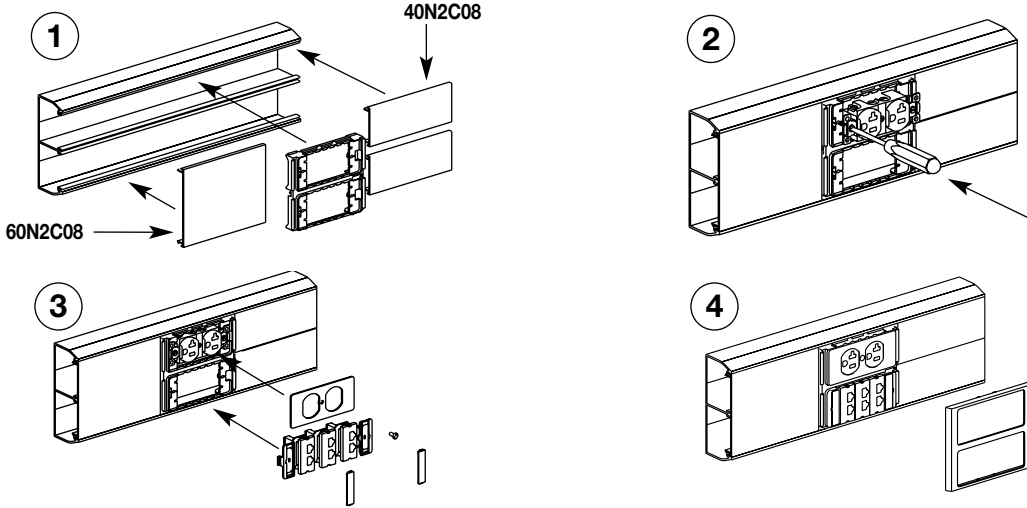


13 60N2F8R, 60N2F8L

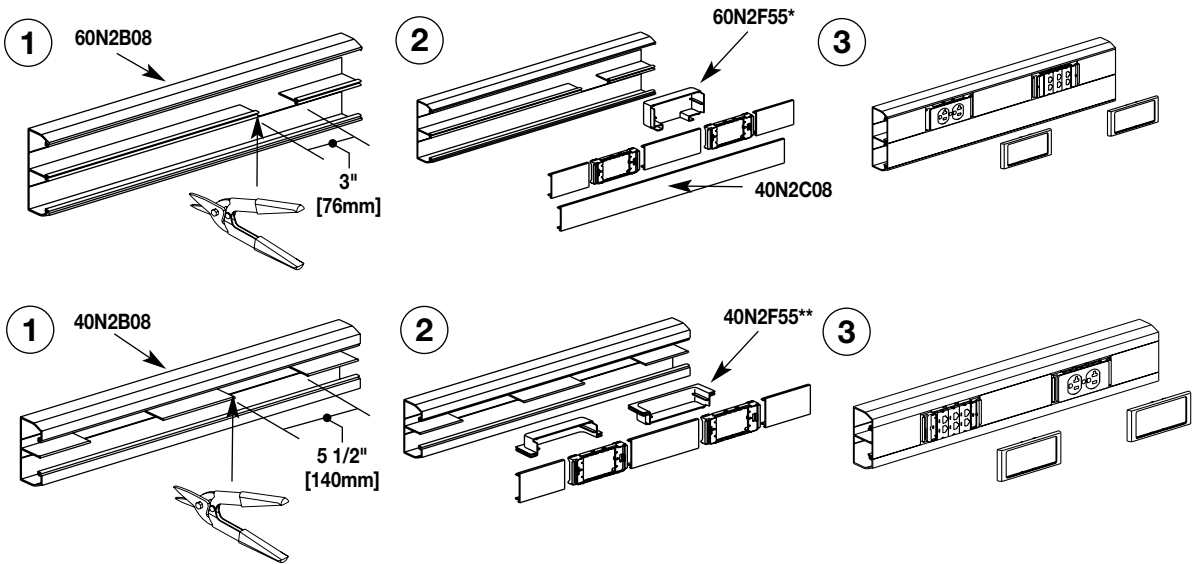


Wire Size THHN/THWN	NO. OF CONDUCTORS
14 AWG	20
12 AWG	18
10 AWG	17
8 AWG	15
6 AWG	5

14A 60N2F32



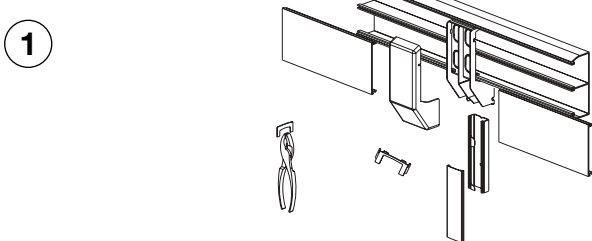
14B 40N2F31



* 60N2F55 is used when installing data/communications devices in the power channel in order to maintain maximum capacity for data/communications cabling.

** 40N2F55 is required to mount devices into 40N2B08 Raceway.

15 40N2F74, 60N2F74



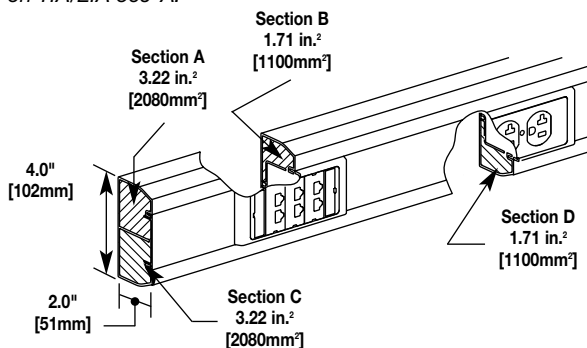
40N2 RACEWAY WIRE FILL CAPACITIES FOR POWER

	WIRE SIZE THHN/THWN	O.D. (Approx. Dia.)		NO. OF CONDUCTORS		
		Inches	[mm]	COMP. A	COMP. B	MAX BOTH COMP.
POWER WIRING WITHOUT DEVICES	14 AWG	0.111	[2.8]	20	20	28
	12 AWG	0.130	[3.3]	18	18	36
	10 AWG	0.164	[4.2]	17	17	24
	8 AWG	0.216	[5.5]	15	15	20
	6 AWG	0.254	[6.5]	5	5	10

40N2 RACEWAY WIRE FILL CAPACITIES FOR DATA/COMMUNICATIONS

CABLE TYPE	CATEGORY/ DESIGNATION	O.D.		Section C		Section D	
		Inches	[mm]	20% Fill ³	40% Fill ⁴	20% Fill ³	40% Fill ⁴
UNSHIELDED TWISTED PAIR	4-pair, 24 AWG Cat. 3 UTP	0.190	[4.8]	22	45	12	24
	4-pair, 24 AWG Cat. 5e UTP	0.210	[5.3]	18	37	9	19
	4-pair, 24 AWG Cat. 6 UTP	0.250	[6.3]	13	26	6	13
TELEPHONE	2-pair, 24 AWG	0.140	[3.6]	41	83	22	44
	3-pair, 24 AWG	0.150	[3.8]	36	72	19	38
	4-pair, 24 AWG	0.190	[4.8]	22	45	12	24
	25-pair, 24 AWG	0.410	[10.4]	4	9	2	5
COAXIAL	RG58/U	0.195	[5.0]	21	43	11	22
	RG59/U	0.242	[6.1]	14	28	7	14
	RG62/U	0.242	[6.1]	14	28	7	14
	RG6/U	0.270	[6.9]	11	22	5	11
TWINAXIAL	100 Ohm	0.330	[8.4]	7	15	4	8
SHIELDED TWISTED PAIR	TYPE 1	0.390	[9.9]	5	10	2	5
	TYPE 2	0.465	[11.8]	3	7	2	4
	TYPE 3	0.245	[6.2]	13	27	7	14
FIBER	Mini Zip Cord	0.079 x 0.157	[2 x 4]	51	103	27	55
	Zip Cord	0.118 x 0.236	[3 x 6]	23	46	12	24
	Round 4 Strand Fiber	0.187	[4.8]	23	46	12	24
	Round 6 Strand Fiber	0.256	[6.5]	12	25	6	13

1. Cross-sectional area reduced due to 40N2F55 C-Box.
2. No. of conductors are reduced when using both channels for power.
3. 20% cable fill calculated to approximate reduction in cable capacity due to connectors mounted within raceway and fittings that may restrict cross-sectional area.
4. 40% cable fill is the maximum designed cable fill based on TIA/EIA 569-A.



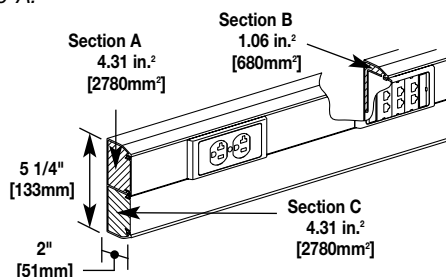
60N2 RACEWAY WIRE FILL CAPACITIES FOR POWER

	WIRE SIZE THHN/THWN	O.D.		NO. OF CONDUCTORS		
		Inches	[mm]	Comp.	Comp.	Max. (Both Channels) ²
				A	B'	
POWER WIRING WITHOUT DEVICES	14 AWG	0.111	[2.8]	33	33	40
	12 AWG	0.130	[3.3]	42	31	52
	10 AWG	0.164	[4.2]	22	20	37
	8 AWG	0.216	[5.5]	19	11	24
	6 AWG	0.254	[6.5]	11	8	14

60N2 RACEWAY WIRE FILL CAPACITIES FOR COMMUNICATIONS

	CABLE/WIRE SIZE	O.D. (Approx. Dia.)		20% FILL*	40% FILL**
		Inches	[mm]		
UNSHIELDED TWISTED PAIR	4-pair, 24 AWG, Cat 3	0.190	[4.8]	30	60
	4-pair, 24 AWG, Cat 5e	0.210	[5.3]	24	49
	4-pair, 24 AWG, Cat 6	0.250	[6.3]	17	35
TELEPHONE	2-pair, 24 AWG	0.140	[3.6]	56	112
	3-pair, 24 AWG	0.150	[3.8]	48	97
	4-pair, 24 AWG	0.190	[4.8]	30	60
	25-pair, 24 AWG	0.410	[10.4]	6	13
COAXIAL	RG58/U	0.195	[5.0]	28	57
	RG59/U	0.242	[6.1]	18	37
	RG62/U	0.242	[6.1]	18	37
	RG6/U	0.270	[6.9]	15	30
TWINAXIAL	100 Ohm	0.330	[8.4]	10	20
SHIELDED TWISTED PAIR	TYPE 1	0.390	[9.9]	7	14
	TYPE 2	0.465	[11.8]	5	10
	TYPE 3	0.245	[6.2]	18	36
FIBER	Mini ZipCord	0.079 x 0.157	[2 x 4]	69	139
	ZipCord	0.118 x 0.236	[3 x 6]	31	62
	Round 4 Strand Fiber	0.187	[4.8]	31	62
	Round 6 Strand Fiber	0.256	[6.5]	16	33

1. Cross-sectional area reduced due to 60N2F55 C-Box.
2. No. of conductors are reduced when using both channels for power.
3. 20% cable fill calculated to approximate reduction in cable capacity due to connectors mounted within raceway and fittings that may restrict cross-sectional area.
4. 40% cable fill is the maximum designed cable fill based on TIA/EIA 569-A.



WIREMOLD



Wiremold / Legrand

U.S. and International:

60 Woodlawn Street • West Hartford, CT 06110

1-800-621-0049 • FAX 860-232-2062 • Outside U.S. 860-233-6251

Canada:

570 Applewood Crescent • Vaughan, Ontario L4K 4B4

1-800-723-5175 • FAX 905-738-9721

