



Smooth style and operation — plus commercial durability.

2601, 2603, 2604, 2621, 2622, 2623, 2624

Cushioned thermoplastic paddles assure smooth, quiet long-term use. Integral silver-alloy contacts combine with heavy-gauge straps for long-lasting performance. Screw-pressure-plate back wiring (which also supports side wiring) enables fast installation and rock-solid connections.

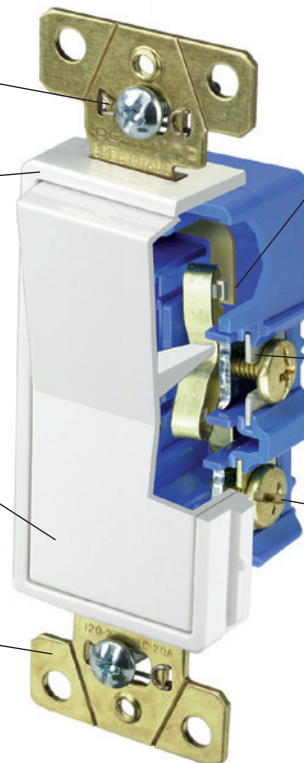
Features & Benefits

Auto-ground on strap speeds up installation and holds mounting screws in position

Impact-resistant polycarb back body and frame, for structural strength and impact resistance

Cushioned thermoplastic paddle assures smooth, quiet long-term operation

Heavy-gauge steel strap is plated for corrosion resistance



Single rocking butterfly contact design has fewer moving parts — for longer life, and smoother, quieter operation

Oversized silver alloy contacts integrally formed to the butterfly spring — assures high reliability

Tri-drive brass terminal screws, internal screw-pressure-plate back and side wire capability

Common terminal has two back wire holes for more wiring flexibility

2601W

3rd Party Compliance



UL Listed, File Number E140597, Standard UL20, General Use Snap Switches.

CSA Certified, File Number LR17446, Standard CSA-C22.2 No. 111, General Use Snap Switches.

Technical Information

Performance

Electrical

Dielectric Withstand Voltage	1500V Minimum
Maximum Working Voltage	277VAC
Overload	Minimum 4.8 times rated current for 100 cycles
Temperature Rise	30°C maximum at rated current
Maximum Continuous Current	277VAC
Endurance	10,000 cycles minimum, resistive, inductive, tungsten filament lamp load

Mechanical

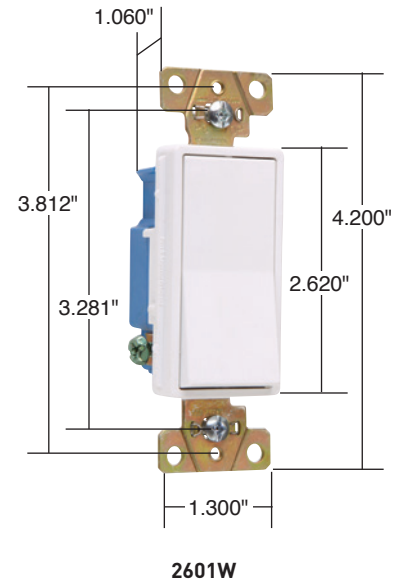
Terminal Accommodations	#14 AWG – #10 AWG
-------------------------	-------------------

Environmental

Flammability	UL94 V2
--------------	---------

Materials

Back Body	Polycarbonate
Frame	Polycarbonate
Paddle	Thermoplastic
Terminals	Brass
Terminal Screws	Tri-Drive Brass-Plated Steel
Strap	Steel
Pressure Plate	Steel
Contacts	Silver Cadmium Oxide
Spring Arm	Brass
Bumper	Rubber
Spring	Zinc-Plated Steel
Ground Terminal	Brass
Ground Screw	Tri-Drive Zinc-Plated Steel



Warranty

1 Year

Ordering Information

Decorator Switches Back & Side Wire


Catalog Number				Rating		Color
Single Pole	Double Pole	Three-Way	Four-Way	A	VAC	
2601I	—	2603I	2604I	15	120/277	Ivory
2601W	—	2603W	2604W	15	120/277	White
2601GRY	—	2603GRY	—	15	120/277	Gray
2601BK	—	2603BK	—	15	120/277	Black
2601LA	—	2603LA	2604LA	15	120/277	Light Almond
2621I	2622I	2623I	2624I	20	120/277	Ivory
2621W	2622W	2623W	2624W	20	120/277	White
2621	2622	2623	2624	20	120/277	Brown
2621GRY	2622GRY	2623GRY	2624GRY	20	120/277	Gray
2621BK	2622BK	2623BK	2624BK	20	120/277	Black
2621RED	2622RED	2623RED	2624RED	20	120/277	Red
2621LA	2622LA	2623LA	2624LA	20	120/277	Light Almond

Vertical Markets

- Education
- Institutional
- Retail
- Office
- Hospitality/Lodging
- Multiple Dwelling

Also available

- Plug Load Solutions
- Hospital Grade Devices
- PlugTail® Devices
- Surge Protective Devices
- Ground Continuity Monitoring (GCM)
- Straight Blade Plugs & Connectors
- Turnlok® Locking Devices
- Weatherproof Boxes & Covers
- USB Charging Devices
- Flexcor® Wire Mesh Grips
- Chemical-Resistant Switches

 The paper used to print this document is an environmentally responsible paper with 10% post consumer waste, with FSC and SFI Chain of Custody certifications, Lacey Act compliant. 100% of the electricity used to manufacture Flo sheets is generated with Green-e certified renewable energy.

All brand and product names referenced in this document are registered trademarks or trademarks of their respective holders.



Legrand, North America
60 Woodlawn Street
West Hartford, CT 06110
1.877.BY.LEGRAND (295.3472)
www.legrand.us

570 Applewood Crescent
Vaughan, Ontario L4K 4B4
905.738.9195
www.legrand.ca

FOLLOW US





Smooth style and operation — plus commercial durability.

2601, 2603, 2604, 2621, 2622, 2623, 2624

Cushioned thermoplastic paddles assure smooth, quiet long-term use. Integral silver-alloy contacts combine with heavy-gauge straps for long-lasting performance. Screw-pressure-plate back wiring (which also supports side wiring) enables fast installation and rock-solid connections.

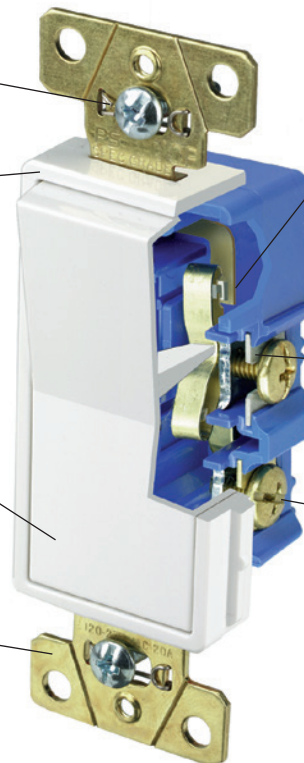
Features & Benefits

Auto-ground on strap speeds up installation and holds mounting screws in position

Impact-resistant polycarb back body and frame, for structural strength and impact resistance

Cushioned thermoplastic paddle assures smooth, quiet long-term operation

Heavy-gauge steel strap is plated for corrosion resistance



Single rocking butterfly contact design has fewer moving parts — for longer life, and smoother, quieter operation

Oversized silver alloy contacts integrally formed to the butterfly spring — assures high reliability

Tri-drive brass terminal screws, internal screw-pressure-plate back and side wire capability

Common terminal has two back wire holes for more wiring flexibility

2601W

3rd Party Compliance



UL Listed, File Number E140597, Standard UL20, General Use Snap Switches.

CSA Certified, File Number LR17446, Standard CSA-C22.2 No. 111, General Use Snap Switches.

Technical Information

Performance

Electrical

Dielectric Withstand Voltage	1500V Minimum
Maximum Working Voltage	277VAC
Overload	Minimum 4.8 times rated current for 100 cycles
Temperature Rise	30°C maximum at rated current
Maximum Continuous Current	277VAC
Endurance	10,000 cycles minimum, resistive, inductive, tungsten filament lamp load

Mechanical

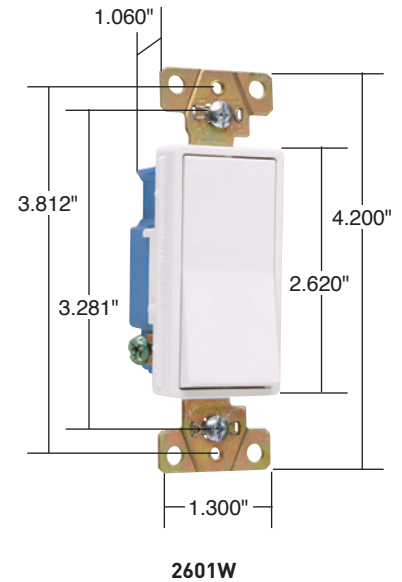
Terminal Accommodations	#14 AWG – #10 AWG
-------------------------	-------------------

Environmental

Flammability	UL94 V2
--------------	---------

Materials

Back Body	Polycarbonate
Frame	Polycarbonate
Paddle	Thermoplastic
Terminals	Brass
Terminal Screws	Tri-Drive Brass-Plated Steel
Strap	Steel
Pressure Plate	Steel
Contacts	Silver Cadmium Oxide
Spring Arm	Brass
Bumper	Rubber
Spring	Zinc-Plated Steel
Ground Terminal	Brass
Ground Screw	Tri-Drive Zinc-Plated Steel



Warranty

1 Year

Ordering Information

Decorator Switches Back & Side Wire


Catalog Number				Rating		Color
Single Pole	Double Pole	Three-Way	Four-Way	A	VAC	
2601I	—	2603I	2604I	15	120/277	Ivory
2601W	—	2603W	2604W	15	120/277	White
2601GRY	—	2603GRY	—	15	120/277	Gray
2601BK	—	2603BK	—	15	120/277	Black
2601LA	—	2603LA	2604LA	15	120/277	Light Almond
2621I	2622I	2623I	2624I	20	120/277	Ivory
2621W	2622W	2623W	2624W	20	120/277	White
2621	2622	2623	2624	20	120/277	Brown
2621GRY	2622GRY	2623GRY	2624GRY	20	120/277	Gray
2621BK	2622BK	2623BK	2624BK	20	120/277	Black
2621RED	2622RED	2623RED	2624RED	20	120/277	Red
2621LA	2622LA	2623LA	2624LA	20	120/277	Light Almond

Vertical Markets

- Education
- Institutional
- Retail
- Office
- Hospitality/Lodging
- Multiple Dwelling

Also available

- Plug Load Solutions
- Hospital Grade Devices
- PlugTail® Devices
- Surge Protective Devices
- Ground Continuity Monitoring (GCM)
- Straight Blade Plugs & Connectors
- Turnlok® Locking Devices
- Weatherproof Boxes & Covers
- USB Charging Devices
- Flexcor® Wire Mesh Grips
- Chemical-Resistant Switches

 The paper used to print this document is an environmentally responsible paper with 10% post consumer waste, with FSC and SFI Chain of Custody certifications, Lacey Act compliant. 100% of the electricity used to manufacture Flo sheets is generated with Green-e certified renewable energy.

All brand and product names referenced in this document are registered trademarks or trademarks of their respective holders.



Legrand, North America
60 Woodlawn Street
West Hartford, CT 06110
1.877.BY.LEGRAND (295.3472)
www.legrand.us

570 Applewood Crescent
Vaughan, Ontario L4K 4B4
905.738.9195
www.legrand.ca

FOLLOW US

