

## DESCRIPTION

The Metalux® universal field install surface mount kits allow for numerous recessed fixture families from Eaton's Cooper Lighting business to be installed in plenum-less spaces. Ideal for retrofits, remodel projects, or where a recessed fixture is preferred but plenum space is not available. The surface mount kit works with 2' x 2', 2' x 4', 1' x 4' and 1' x 2' Metalux, Fail-Safe, Corelite and Neo-ray product lines. See chart and ordering information for specific availability.

<b>Catalog #</b>		<b>Type</b>
<b>Project</b>		
<b>Comments</b>		<b>Date</b>
<b>Prepared by</b>		

## SPECIFICATION FEATURES

### Construction

The field install universal surface mount kits feature snap-together frame design constructed of die-formed 20 gauge cold rolled steel. Both 2' x 2' and 2' x 4' kits are offered in two depths, a Shallow (4-15/16") and Tall (5-1/16") to accommodate an array of fixture types and options. The 1' x 4' and 1' x 2' are only offered in a Tall (5-1/16") version. Composite end caps provide simple snap on attachment to housing for convenience. For additional safety #10 screws can be used if necessary at pre-tap locations. Four access plate knockouts provide flexible

### Installation and supply connection.

A set of four mounting points are provided for surface mounting, for pendant mount six mounting points are provided for either two or four point suspension. Eaton SCA (1/2" O.D.) suspension sets (#SCA-48-B) are recommended for stem mounting.

### Compliance

Field install universal surface mount kits are UL recognized accessories.

### Mounting

Both versions are designed to provide a means for surface or pendant mounting.

### Warranty

One year warranty.

### Finish

Durable cold rolled steel housing is finished in high reflectance white using electrostatically applied polyester powder coat paint to ensure maximum rust inhibition. End caps provide matching matte white finish.



**SK-12**  
**SK-14**  
**SK-22**  
**SK-24**

2' X 2', 2' X 4', 1' X 4' AND  
1' X 2' SURFACE MOUNT KITS

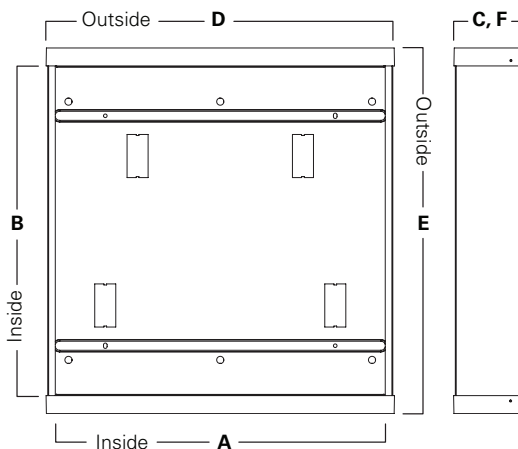
Field Install Version

### Inside

		SK-24-WS	SK-24-WT	SK-22-WS	SK-22-WT
<b>A</b>	Width	24"	24"	24"	24"
<b>B</b>	Length	48-1/16"	48-1/16"	24-1/16"	24-1/16"
<b>C</b>	Height	4-15/16"	6-3/8"	4-15/16"	6-3/8"

### Outside

		SK-24-WS	SK-24-WT	SK-22-WS	SK-22-WT
<b>D</b>	Width	24-1/4"	24-1/4"	24-1/4"	24-1/4"
<b>E</b>	Length	49-1/2"	49-1/2"	25-1/2"	25-1/2"
<b>F</b>	Height	5-1/16"	6-5/8"	5-1/16"	6-5/8"

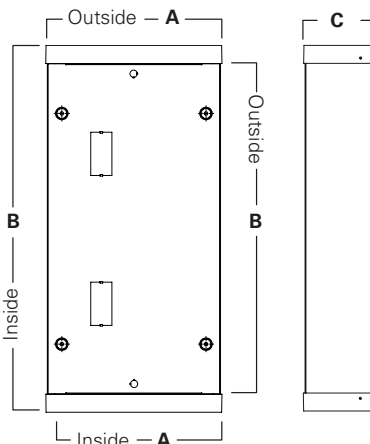


### Inside

		SK-14-WT	SK-12-WT
<b>A</b>	Width	12"	12"
<b>B</b>	Length	48-1/16"	24-1/16"
<b>C</b>	Height	6-1/4"	6-1/4"

### Outside

		SK-14-WT	SK-12-WT
<b>A</b>	Width	12-3/16"	12-3/16"
<b>B</b>	Length	49-7/16"	25-7/16"
<b>C</b>	Height	6-9/16"	6-9/16"



### CERTIFICATION DATA

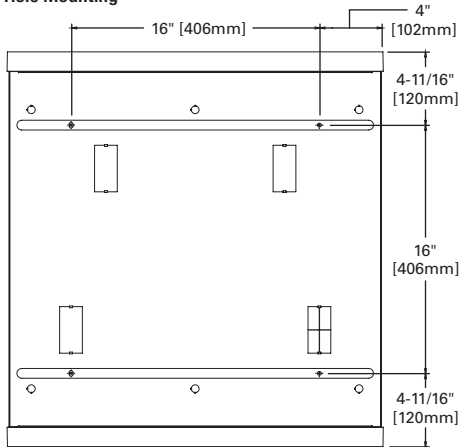
cULus  
Damp Location Listed

### SHIPPING DATA

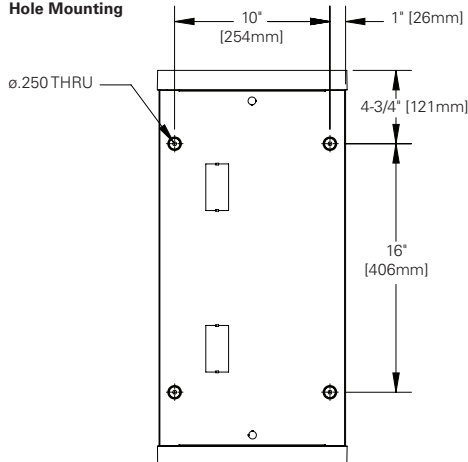
Catalog No.	Wt.
SK-22-WS	12 lbs.
SK-24-WS	21 lbs.
SK-22-WT	14 lbs.
SK-24-WT	24 lbs.
SK-14-WT	13 lbs.
SK-12-WT	7 lbs.

**MOUNTING DATA**

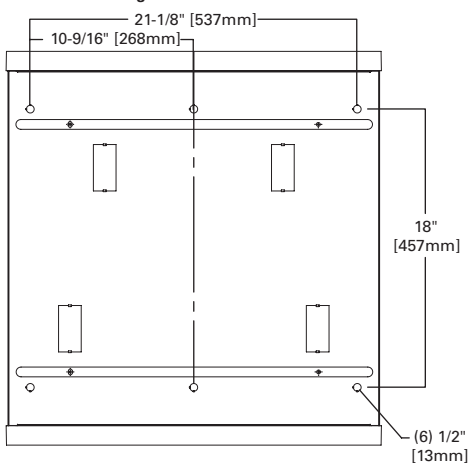
**Hole Mounting**



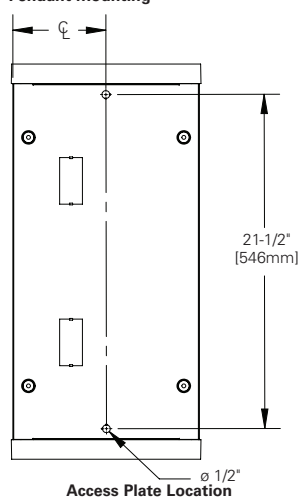
**Hole Mounting**



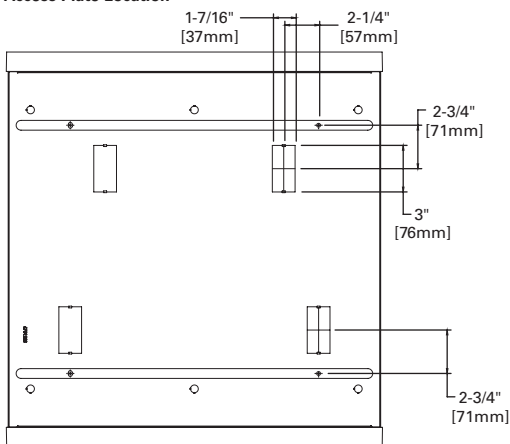
**Pendant Mounting**



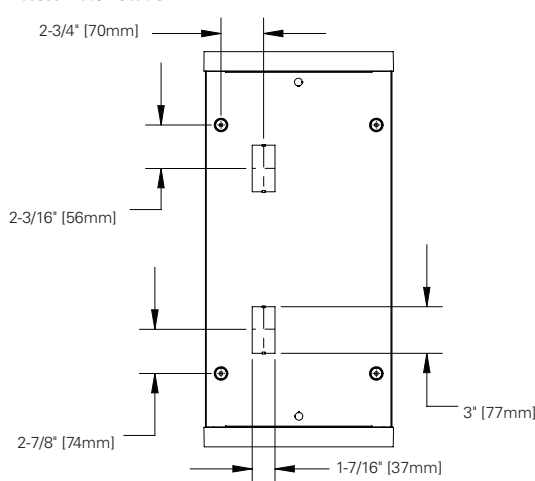
**Pendant Mounting**



**Access Plate Location**



**Access Plate Location**



**ORDERING INFORMATION**

Stock or MTO	Size	Catalog Number	Description
Stock	2' x 4'	SK-24-WS	2' x 4' Surface Mount Kit, Shallow
Stock	2' x 4'	SK-24-WT	2' x 4' Surface Mount Kit, Tall
Stock	2' x 2'	SK-22-WS	2' x 2' Surface Mount Kit, Shallow
Stock	2' x 2'	SK-22-WT	2' x 2' Surface Mount Kit, Tall
Stock	1' x 4'	SK-14-WT*	1' x 4' Surface Mount Kit, Tall
Stock	1' x 2'	SK-12-WT	1' x 2' Surface Mount Kit, Tall

**NOTES:** The weight of the installed luminaire (ONLY) not to exceed 40 lbs.

Flex cables sold separately.

Review Compatibility Matrix before placing order for recessed luminaire.

\*SkyRidge 1' x 4' fixture with curved reflector ("C-") does not fit the 1' x 4' kit without requirement for special bracket, please submit PDR request for order processing.

COMPATIBILITY MATRIX

	Shallow Design		Tall Design			
	2' x 2'	2' x 4'	2' x 2'	2' x 4'	1' x 4'	1' x 2'
	SK-22-WS	SK-24-WS	SK-22-WT	SK-24-WT	SK-14-WT	SK-12-WT
<b>Standard Version</b>						
<b>Metalux</b>						
Accord	T5, T8, LED	T5, T8, LED			T5, T8, LED	
ArcLine	T5, T8, LED	T5, T8, LED			T5, T8, LED	
Cruze	LED	LED			LED	
Encounter	LED	LED			LED	LED
GR	T5, T8, LED	T5, T8, LED			T5, T8, LED	
GC			T5, T8	T5, T8	T5, T8	
Ovation			T5, T8	T5, T8	T5, T8	
Parabolics*			T5, T8	T5, T8		
SkyRidge**			LED	LED	LED	LED
<b>Fail-Safe</b>						
CFDFA			T5, T8	T5, T8	T5, T8	
CFE-3			T5, T8	T5, T8		
2VRGC			T5, T8	T5, T8	T5, T8	
MAE			T5, T8	T5, T8		
MAO			T5, T8	T5, T8		
<b>Corelite</b>						
Class E3	T5, T8, LED	T5, T8, LED				
Class R1/Z1	T5	T5			T5	
Class R2/Z2	T5	T5			T5	
Class R2X	LED	LED			LED	
Class R3/Z3	T5, LED	T5, LED			T5, LED	
Divide	LED	LED			LED	
<b>Neo-ray</b>						
Fenestra			202, 232, 242, 272, LED	204, 234, 244, 274, LED		
Luminous	T5, LED	T5, LED	T8	T8	T5, T8, LED	
Symbio			292	294		
<b>Emergency Version</b>						
<b>Metalux</b>						
Accord	EL7W, EL14W	EL7W, EL14W			EL7W, EL14W	
ArcLine	EL7W	EL7W	EL14W	EL14W	EL7W, EL14W	
Cruze	EL7W	EL7W	EL14W	EL14W	EL7W, EL14W	
Encounter	EL7W	EL7W	EL14W	EL14W	EL7W, EL14W	EL7W
GR	EL7W	EL7W	EL14W	EL14W	EL7W, EL14W	
GC			EL7W, EL14W	EL7W, EL14W	EL7W, EL14W	
Ovation			EL7W, EL14W	EL7W, EL14W	EL7W, EL14W	
Parabolics*			EL7W, EL14W	EL7W, EL14W		
SkyRidge**			EL7W, EL14W	EL7W, EL14W	EL7W, EL14W	EL7W
<b>Corelite</b>						
Class E3	EL7W, EL14W	EL7W, EL14W				
Class R1/Z1	EL7W, EL14W	EL7W, EL14W			EL7W, EL14W	
Class R2/Z2	EL7W, EL14W	EL7W, EL14W			EL7W, EL14W	
Class R2X	EL7W, EL14W	EL7W, EL14W			EL7W, EL14W	
Class R3/Z3	EL7W, EL14W	EL7W, EL14W			EL7W, EL14W	
Divide	EL7W, EL14W	EL7W, EL14W			EL7W, EL14W	
<b>Neo-ray</b>						
Fenestra			EL7W, EL14W	EL7W, EL14W		
Luminous	EL7W, EL14W	EL7W, EL14W				
Symbio			EL7W, EL14W	EL7W, EL14W	EL7W, EL14W	

\*Covers 2P2G, 2EP3, 2HP2, 2HP3, OpticaHP; 2PGAX does not fit kits

\*\*SkyRidge 1' x 4' fixture with curved reflector ("C-") does not fit the 1' x 4' kit without requirement for special bracket, please submit PDR request for order processing.

Note: Fail-Safe fixtures with emergency do not fit either kit size.

## DESCRIPTION

The Metalux® universal field install surface mount kits allow for numerous recessed fixture families from Eaton's Cooper Lighting business to be installed in plenum-less spaces. Ideal for retrofits, remodel projects, or where a recessed fixture is preferred but plenum space is not available. The surface mount kit works with 2' x 2', 2' x 4', 1' x 4' and 1' x 2' Metalux, Fail-Safe, Corelite and Neo-ray product lines. See chart and ordering information for specific availability.

<b>Catalog #</b>		<b>Type</b>
<b>Project</b>		
<b>Comments</b>		<b>Date</b>
<b>Prepared by</b>		

## SPECIFICATION FEATURES

### Construction

The field install universal surface mount kits feature snap-together frame design constructed of die-formed 20 gauge cold rolled steel. Both 2' x 2' and 2' x 4' kits are offered in two depths, a Shallow (4-15/16") and Tall (5-1/16") to accommodate an array of fixture types and options. The 1' x 4' and 1' x 2' are only offered in a Tall (5-1/16") version. Composite end caps provide simple snap on attachment to housing for convenience. For additional safety #10 screws can be used if necessary at pre-tap locations. Four access plate knockouts provide flexible

### Installation and supply connection.

A set of four mounting points are provided for surface mounting, for pendant mount six mounting points are provided for either two or four point suspension. Eaton SCA (1/2" O.D.) suspension sets (#SCA-48-B) are recommended for stem mounting.

### Compliance

Field install universal surface mount kits are UL recognized accessories.

### Mounting

Both versions are designed to provide a means for surface or pendant mounting.

### Warranty

One year warranty.

### Finish

Durable cold rolled steel housing is finished in high reflectance white using electrostatically applied polyester powder coat paint to ensure maximum rust inhibition. End caps provide matching matte white finish.



**SK-12**  
**SK-14**  
**SK-22**  
**SK-24**

2' X 2', 2' X 4', 1' X 4' AND  
1' X 2' SURFACE MOUNT KITS

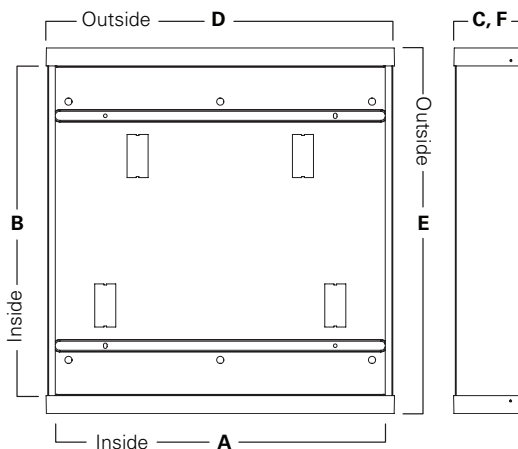
Field Install Version

### Inside

		SK-24-WS	SK-24-WT	SK-22-WS	SK-22-WT
<b>A</b>	Width	24"	24"	24"	24"
<b>B</b>	Length	48-1/16"	48-1/16"	24-1/16"	24-1/16"
<b>C</b>	Height	4-15/16"	6-3/8"	4-15/16"	6-3/8"

### Outside

		SK-24-WS	SK-24-WT	SK-22-WS	SK-22-WT
<b>D</b>	Width	24-1/4"	24-1/4"	24-1/4"	24-1/4"
<b>E</b>	Length	49-1/2"	49-1/2"	25-1/2"	25-1/2"
<b>F</b>	Height	5-1/16"	6-5/8"	5-1/16"	6-5/8"

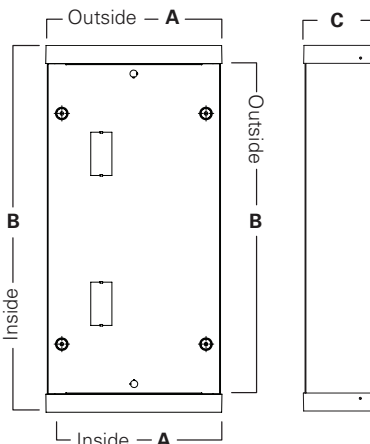


### Inside

		SK-14-WT	SK-12-WT
<b>A</b>	Width	12"	12"
<b>B</b>	Length	48-1/16"	24-1/16"
<b>C</b>	Height	6-1/4"	6-1/4"

### Outside

		SK-14-WT	SK-12-WT
<b>A</b>	Width	12-3/16"	12-3/16"
<b>B</b>	Length	49-7/16"	25-7/16"
<b>C</b>	Height	6-9/16"	6-9/16"



### CERTIFICATION DATA

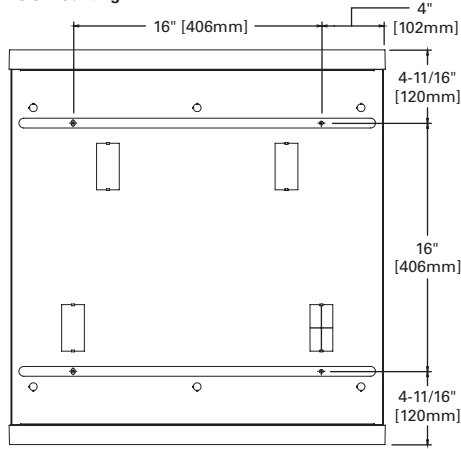
cULus  
Damp Location Listed

### SHIPPING DATA

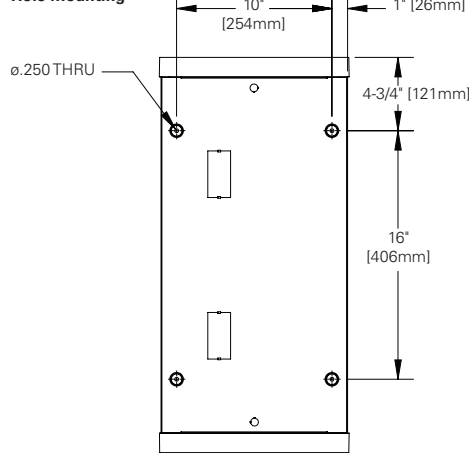
Catalog No.	Wt.
SK-22-WS	12 lbs.
SK-24-WS	21 lbs.
SK-22-WT	14 lbs.
SK-24-WT	24 lbs.
SK-14-WT	13 lbs.
SK-12-WT	7 lbs.

**MOUNTING DATA**

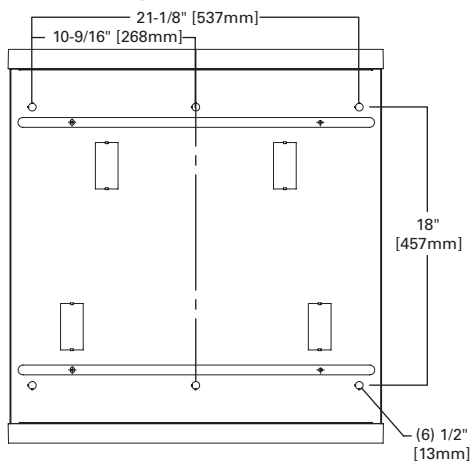
**Hole Mounting**



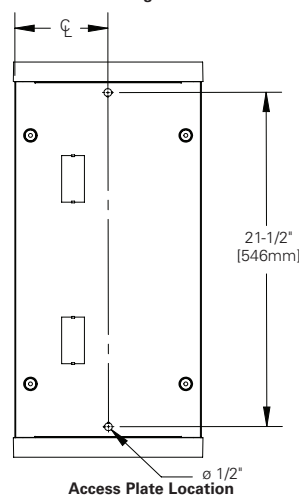
**Hole Mounting**



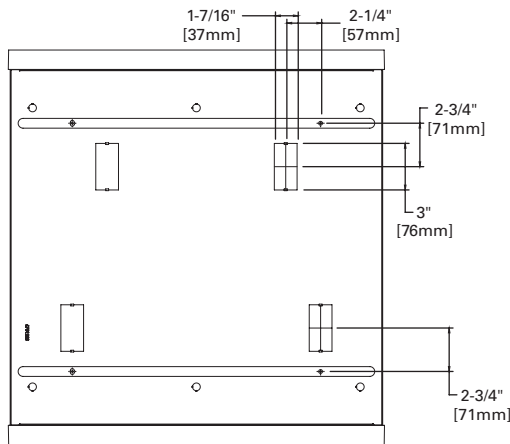
**Pendant Mounting**



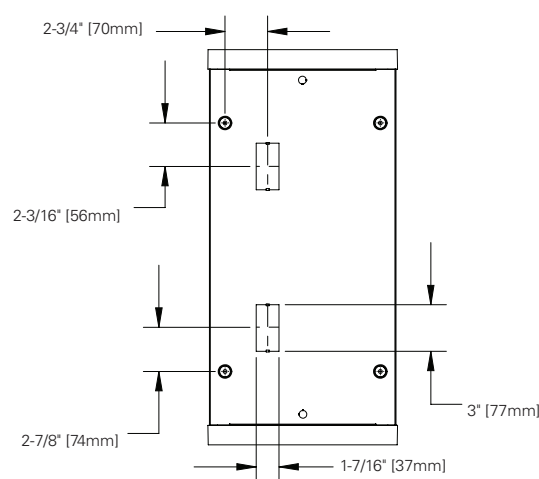
**Pendant Mounting**



**Access Plate Location**



**Access Plate Location**



**ORDERING INFORMATION**

Stock or MTO	Size	Catalog Number	Description
Stock	2' x 4'	SK-24-WS	2' x 4' Surface Mount Kit, Shallow
Stock	2' x 4'	SK-24-WT	2' x 4' Surface Mount Kit, Tall
Stock	2' x 2'	SK-22-WS	2' x 2' Surface Mount Kit, Shallow
Stock	2' x 2'	SK-22-WT	2' x 2' Surface Mount Kit, Tall
Stock	1' x 4'	SK-14-WT*	1' x 4' Surface Mount Kit, Tall
Stock	1' x 2'	SK-12-WT	1' x 2' Surface Mount Kit, Tall

**NOTES:** The weight of the installed luminaire (ONLY) not to exceed 40 lbs.

Flex cables sold separately.

Review Compatibility Matrix before placing order for recessed luminaire.

\*SkyRidge 1' x 4' fixture with curved reflector ("C-") does not fit the 1' x 4' kit without requirement for special bracket, please submit PDR request for order processing.

COMPATIBILITY MATRIX

	Shallow Design		Tall Design			
	2' x 2'	2' x 4'	2' x 2'	2' x 4'	1' x 4'	1' x 2'
	SK-22-WS	SK-24-WS	SK-22-WT	SK-24-WT	SK-14-WT	SK-12-WT
<b>Standard Version</b>						
<b>Metalux</b>						
Accord	T5, T8, LED	T5, T8, LED			T5, T8, LED	
ArcLine	T5, T8, LED	T5, T8, LED			T5, T8, LED	
Cruze	LED	LED			LED	
Encounter	LED	LED			LED	LED
GR	T5, T8, LED	T5, T8, LED			T5, T8, LED	
GC			T5, T8	T5, T8	T5, T8	
Ovation			T5, T8	T5, T8	T5, T8	
Parabolics*			T5, T8	T5, T8		
SkyRidge**			LED	LED	LED	LED
<b>Fail-Safe</b>						
CFDFA			T5, T8	T5, T8	T5, T8	
CFE-3			T5, T8	T5, T8		
2VRGC			T5, T8	T5, T8	T5, T8	
MAE			T5, T8	T5, T8		
MAO			T5, T8	T5, T8		
<b>Corelite</b>						
Class E3	T5, T8, LED	T5, T8, LED				
Class R1/Z1	T5	T5			T5	
Class R2/Z2	T5	T5			T5	
Class R2X	LED	LED			LED	
Class R3/Z3	T5, LED	T5, LED			T5, LED	
Divide	LED	LED			LED	
<b>Neo-ray</b>						
Fenestra			202, 232, 242, 272, LED	204, 234, 244, 274, LED		
Luminous	T5, LED	T5, LED	T8	T8	T5, T8, LED	
Symbio			292	294		
<b>Emergency Version</b>						
<b>Metalux</b>						
Accord	EL7W, EL14W	EL7W, EL14W			EL7W, EL14W	
ArcLine	EL7W	EL7W	EL14W	EL14W	EL7W, EL14W	
Cruze	EL7W	EL7W	EL14W	EL14W	EL7W, EL14W	
Encounter	EL7W	EL7W	EL14W	EL14W	EL7W, EL14W	EL7W
GR	EL7W	EL7W	EL14W	EL14W	EL7W, EL14W	
GC			EL7W, EL14W	EL7W, EL14W	EL7W, EL14W	
Ovation			EL7W, EL14W	EL7W, EL14W	EL7W, EL14W	
Parabolics*			EL7W, EL14W	EL7W, EL14W		
SkyRidge**			EL7W, EL14W	EL7W, EL14W	EL7W, EL14W	EL7W
<b>Corelite</b>						
Class E3	EL7W, EL14W	EL7W, EL14W				
Class R1/Z1	EL7W, EL14W	EL7W, EL14W			EL7W, EL14W	
Class R2/Z2	EL7W, EL14W	EL7W, EL14W			EL7W, EL14W	
Class R2X	EL7W, EL14W	EL7W, EL14W			EL7W, EL14W	
Class R3/Z3	EL7W, EL14W	EL7W, EL14W			EL7W, EL14W	
Divide	EL7W, EL14W	EL7W, EL14W			EL7W, EL14W	
<b>Neo-ray</b>						
Fenestra			EL7W, EL14W	EL7W, EL14W		
Luminous	EL7W, EL14W	EL7W, EL14W				
Symbio			EL7W, EL14W	EL7W, EL14W	EL7W, EL14W	

\*Covers 2P2G, 2EP3, 2HP2, 2HP3, OpticaHP; 2PGAX does not fit kits

\*\*SkyRidge 1' x 4' fixture with curved reflector ("C-") does not fit the 1' x 4' kit without requirement for special bracket, please submit PDR request for order processing.

Note: Fail-Safe fixtures with emergency do not fit either kit size.