

# HOT DIP GALVANIZED

## EDGE TYPE CONDUIT SUPPORT



E174011

Conforms to finish thickness  
ASTM A123/123M  
UL  
RoHS  
NEMA FB1  
Federal Spec. A-A-50553

### APPLICATIONS:

Edge type conduit supports are used to mount EMT or rigid conduits perpendicular to a beam, channel or angle supports.

### FEATURES:

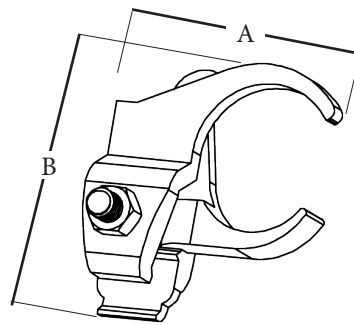
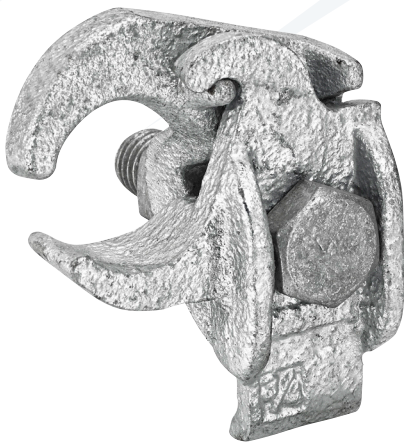
Hot Dip Galvanized for added durability and corrosion protection.  
Provides a secure connection and tight clamping action capable of withstanding heavy loads.

### MATERIAL:

Malleable Iron  
Galvanized Steel Hardware

### FINISH:

Hot Dip Galvanized



Part No.	UPC	Description	Ship Case	Weight Case	A	B
1571HDG	86561	1/2" Edge Type Conduit Support	50	34	2.10	2.72
1572HDG	86562	3/4" Edge Type Conduit Support	50	36	2.44	3.01
1573HDG	86563	1" Edge Type Conduit Support	50	43	2.57	3.23
1574HDG	86564	1-1/4" Edge Type Conduit Support	25	23	2.96	3.47
1575HDG	86565	1-1/2" Edge Type Conduit Support	25	29	3.27	3.65
1576HDG	86566	2" Edge Type Conduit Support	25	34	3.85	4.36
1577HDG	86567	2-1/2" Edge Type Conduit Support	10	19	4.40	5.05
1578HDG	86568	3" Edge Type Conduit Support	10	23	5.08	5.41

# HOT DIP GALVANIZED

## EDGE TYPE CONDUIT SUPPORT



E174011

Conforms to finish thickness  
ASTM A123/123M  
UL  
RoHS  
NEMA FB1  
Federal Spec. A-A-50553

### APPLICATIONS:

Edge type conduit supports are used to mount EMT or rigid conduits perpendicular to a beam, channel or angle supports.

### FEATURES:

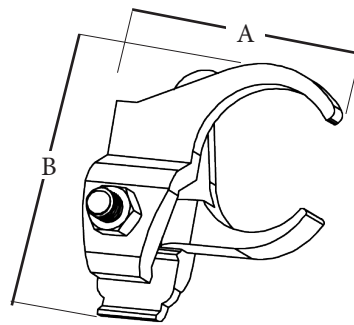
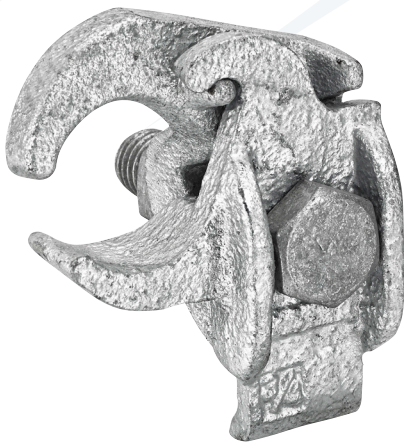
Hot Dip Galvanized for added durability and corrosion protection.  
Provides a secure connection and tight clamping action capable of withstanding heavy loads.

### MATERIAL:

Malleable Iron  
Galvanized Steel Hardware

### FINISH:

Hot Dip Galvanized



Part No.	UPC	Description	Ship Case	Weight Case	A	B
1571HDG	86561	1/2" Edge Type Conduit Support	50	34	2.10	2.72
1572HDG	86562	3/4" Edge Type Conduit Support	50	36	2.44	3.01
1573HDG	86563	1" Edge Type Conduit Support	50	43	2.57	3.23
1574HDG	86564	1-1/4" Edge Type Conduit Support	25	23	2.96	3.47
1575HDG	86565	1-1/2" Edge Type Conduit Support	25	29	3.27	3.65
1576HDG	86566	2" Edge Type Conduit Support	25	34	3.85	4.36
1577HDG	86567	2-1/2" Edge Type Conduit Support	10	19	4.40	5.05
1578HDG	86568	3" Edge Type Conduit Support	10	23	5.08	5.41