

CABLE MANAGEMENT SOLUTIONS



Type 1 Wireway Fittings

TYPE 1 ENCLOSURES

TYPE 3 AND 3R ENCLOSURES

CABLE MANAGEMENT SOLUTIONS

UTILITY AND STORAGE CABINETS

HARDWARE AND ACCESSORIES

CUSTOM ENCLOSURE SOLUTIONS



Reducer – Powder Coated

CATALOG NUMBER	UPC (761515)	SIZE	WGT	LIST PRICE
64R	10989	6to4	1	\$68.89
84R	10990	8to4	2	\$77.78
104R	10992	10to4	3	\$79.78
86R	10994	8to6	2	\$84.44
106R	10996	10to6	3	\$93.33
108R	10997	10to8	3	\$102.22
128R	10998	12to8	3	\$106.67
1210R	10999	12to10	3	\$133.33



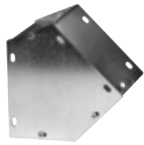
Reducer – Galvanized

CATALOG NUMBER	UPC (761515)	SIZE	WGT	LIST PRICE
64RG	38013	6to4	1	\$68.89
84RG	38015	8to4	2	\$77.78
104RG	38017	10to4	3	\$79.98
86RG	38019	8to6	2	\$84.44
106RG	38021	10to6	3	\$93.33
108RG	38023	10to8	3	\$102.22
128RG	38025	12to8	3	\$106.67
1210RG	38027	12to10	3	\$133.33



45° Elbow – Powder Coated

CATALOG NUMBER	UPC (761515)	SIZE (W"xH")	WGT	LIST PRICE
44L45	11018	4x4	2	\$53.33
66L45	11020	6x6	3	\$66.67
88L45	11022	8x8	6	\$102.22
1010L45	11024	10x10	8	\$151.11
1212L45	11026	12x12	10	\$200.00



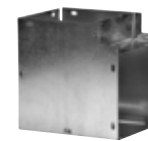
45° Elbow – Galvanized

CATALOG NUMBER	UPC (761515)	SIZE (W"xH")	WGT	LIST PRICE
44L45G	11019	4x4	2	\$53.33
66L45G	11021	6x6	3	\$66.67
88L45G	11025	8x8	6	\$102.22
1010L45G	11028	10x10	8	\$151.11
1212L45G	11029	12x12	10	\$200.00



90° Elbow – Powder Coated

CATALOG NUMBER	UPC (761515)	SIZE (W"xH")	WGT	LIST PRICE
44L	11002	4x4	3	\$54.44
66L	11006	6x6	5	\$68.89
88L	11010	8x8	8	\$102.22
1010L	11012	10x10	15	\$151.11
1212L	11014	12x12	20	\$200.00



90° Elbow – Galvanized

CATALOG NUMBER	UPC (761515)	SIZE (W"xH")	WGT	LIST PRICE
44LG	11003	4x4	3	\$54.44
66LG	11007	6x6	5	\$68.89
88LG	11011	8x8	8	\$102.22
1010LG	11013	10x10	15	\$151.11
1212LG	11015	12x12	20	\$200.00



90° Sweep Elbow – Powder Coated

CATALOG NUMBER	UPC (761515)	SIZE (W"xH")	WGT	LIST PRICE
44SL	11603	4x4	3	\$100.90
66SL	11607	6x6	6	\$115.36
88SL	11611	8x8	9	\$204.16
1010SL	11613	10x10	12	\$286.72
1212SL	11615	12x12	16	\$386.56



90° Sweep Elbow – Galvanized

CATALOG NUMBER	UPC (761515)	SIZE (W"xH")	WGT	LIST PRICE
44SLG	18002	4x4	3	\$100.90
66SLG	18003	6x6	6	\$115.36
88SLG	18004	8x8	9	\$204.16
1010SLG	18005	10x10	12	\$286.72
1212SLG	18006	12x12	16	\$386.56



Inside Outside 90° Elbow – Powder Coated

CATALOG NUMBER	UPC (761515)	SIZE (W"xH")	WGT	LIST PRICE
44INXL	11521	4x4	3	\$74.44
66INXL	11523	6x6	5	\$84.88
88INXL	11525	8x8	8	\$102.22
1010INXL	11527	10x10	15	\$151.11
1212INXL	11529	12x12	20	\$200.00



Inside Outside 90° Elbow – Galvanized

CATALOG NUMBER	UPC (761515)	SIZE (W"xH")	WGT	LIST PRICE
44INXLG	11531	4x4	3	\$74.44
66INXLG	11533	6x6	5	\$84.88
88INXLG	11535	8x8	8	\$102.22
1010INXLG	11537	10x10	15	\$151.11
1212INXLG	11539	12x12	20	\$200.00



Cross – Powder Coated

CATALOG NUMBER	UPC (761515)	SIZE (W"xH")	WGT	LIST PRICE
44X	11032	4x4	3	\$71.11
66X	11034	6x6	6	\$100.00
88X	11036	8x8	8	\$142.22
1010X	11038	10x10	15	\$222.22
1212X	11040	12x12	17	\$266.67



Cross – Galvanized

CATALOG NUMBER	UPC (761515)	SIZE (W"xH")	WGT	LIST PRICE
44XG	11033	4x4	3	\$71.11
66XG	11035	6x6	6	\$100.00
88XG	11037	8x8	8	\$142.22
1010XG	11039	10x10	15	\$222.22
1212XG	11041	12x12	17	\$266.67



Type 1 Wireway Fittings



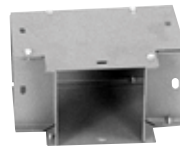
End Cap – Powder Coated

CATALOG NUMBER	UPC (761515)	SIZE (W"xH")	WGT	LIST PRICE
44E	10810	4x4	0.5	\$7.11
66E	10830	6x6	0.75	\$11.11
88E	10850	8x8	2	\$13.33
1010E	10870	10x10	2	\$24.44
1212E	10890	12x12	4	\$28.89



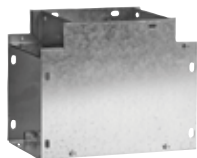
End Cap – Galvanized

CATALOG NUMBER	UPC (761515)	SIZE (W"xH")	WGT	LIST PRICE
44EG	10811	4x4	0.5	\$7.11
66EG	10831	6x6	0.75	\$11.11
88EG	10851	8x8	2	\$13.33
1010EG	10871	10x10	2	\$24.44
1212EG	10891	12x12	4	\$28.89



Tee – Powder Coated

CATALOG NUMBER	UPC (761515)	SIZE (W"xH")	WGT	LIST PRICE
44T	10972	4x4	3	\$62.22
66T	10976	6x6	5	\$86.67
88T	10980	8x8	9	\$133.33
1010T	10984	10x10	15	\$222.22
1212T	10988	12x12	20	\$284.44



Tee – Galvanized

CATALOG NUMBER	UPC (761515)	SIZE (W"xH")	WGT	LIST PRICE
44TG	10973	4x4	3	\$62.22
66TG	10974	6x6	5	\$86.67
88TG	10975	8x8	9	\$133.33
1010TG	10977	10x10	15	\$222.22
1212TG	10978	12x12	20	\$284.44



Sweep Tee – Powder Coated

CATALOG NUMBER	UPC (761515)	SIZE (W"xH")	WGT	LIST PRICE
44ST	11501	4x4	4	\$100.90
66ST	11503	6x6	6	\$115.36
88ST	11505	8x8	10	\$204.16
1010ST	11507	10x10	16	\$286.72
1212ST	11509	12x12	21	\$386.56



Sweep Tee – Galvanized

CATALOG NUMBER	UPC (761515)	SIZE (W"xH")	WGT	LIST PRICE
44STG	11511	4x4	4	\$100.90
66STG	11513	6x6	6	\$115.36
88STG	11515	8x8	10	\$204.16
1010STG	11517	10x10	16	\$286.72
1212STG	11519	12x12	21	\$386.56



Connector – Galvanized

CATALOG NUMBER	UPC (761515)	SIZE (W"xH")	WGT	LIST PRICE
44C	10901	4x4	0.4	\$7.11
66C	10903	6x6	0.5	\$11.11
88C	10905	8x8	1	\$13.33
1010C	10907	10x10	1.25	\$24.44
1212C	10909	12x12	2	\$28.89



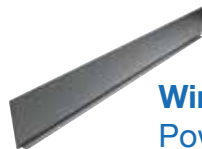
Gutter Flange – Galvanized

CATALOG NUMBER	UPC (761515)	SIZE (W"xH")	WGT	LIST PRICE
44GF	10942	4x4	0.25	\$22.22
66GF	10946	6x6	1	\$31.11
88GF	10950	8x8	1	\$44.44
1010GF	10954	10x10	1	\$66.67
1212GF	10958	12x12	1	\$88.89



Combination Hangers – Galvanized

CATALOG NUMBER	UPC (761515)	SIZE (W"xH")	WGT	LIST PRICE
24HG	47010	2x4	4.5	\$22.00
68HG	47021	6x8	8	\$30.89
1012HG	47025	10x12	17	\$77.78



Wireway Dividers – Powder Coated

CATALOG NUMBER	UPC (761515)	SIZE (W"xH")	WGT	LIST PRICE
4X60DIV	11653	4x60	4.05	\$54.04
6X60DIV	11655	6x60	5.85	\$57.92
8X60DIV	11657	8x60	7.65	\$61.80



Wireway Dividers – Galvanized

CATALOG NUMBER	UPC (761515)	SIZE (W"xH")	WGT	LIST PRICE
4X60DIVG	11654	4x60	4.05	\$54.04
6X60DIVG	11656	6x60	5.85	\$57.92
8X60DIVG	11658	8x60	7.65	\$61.80



Support Brackets

CATALOG NUMBER	UPC (761515)	SIZE (W"xH")	WGT	LIST PRICE
44SB	60420	4x4	0.4	\$17.00
66SB	60422	6x6	0.5	\$25.00
88SB	60424	8x8	0.75	\$33.00

TYPE 1 ENCLOSURES

TYPE 3 AND 3R ENCLOSURES

CABLE MANAGEMENT SOLUTIONS

UTILITY AND STORAGE CABINETS

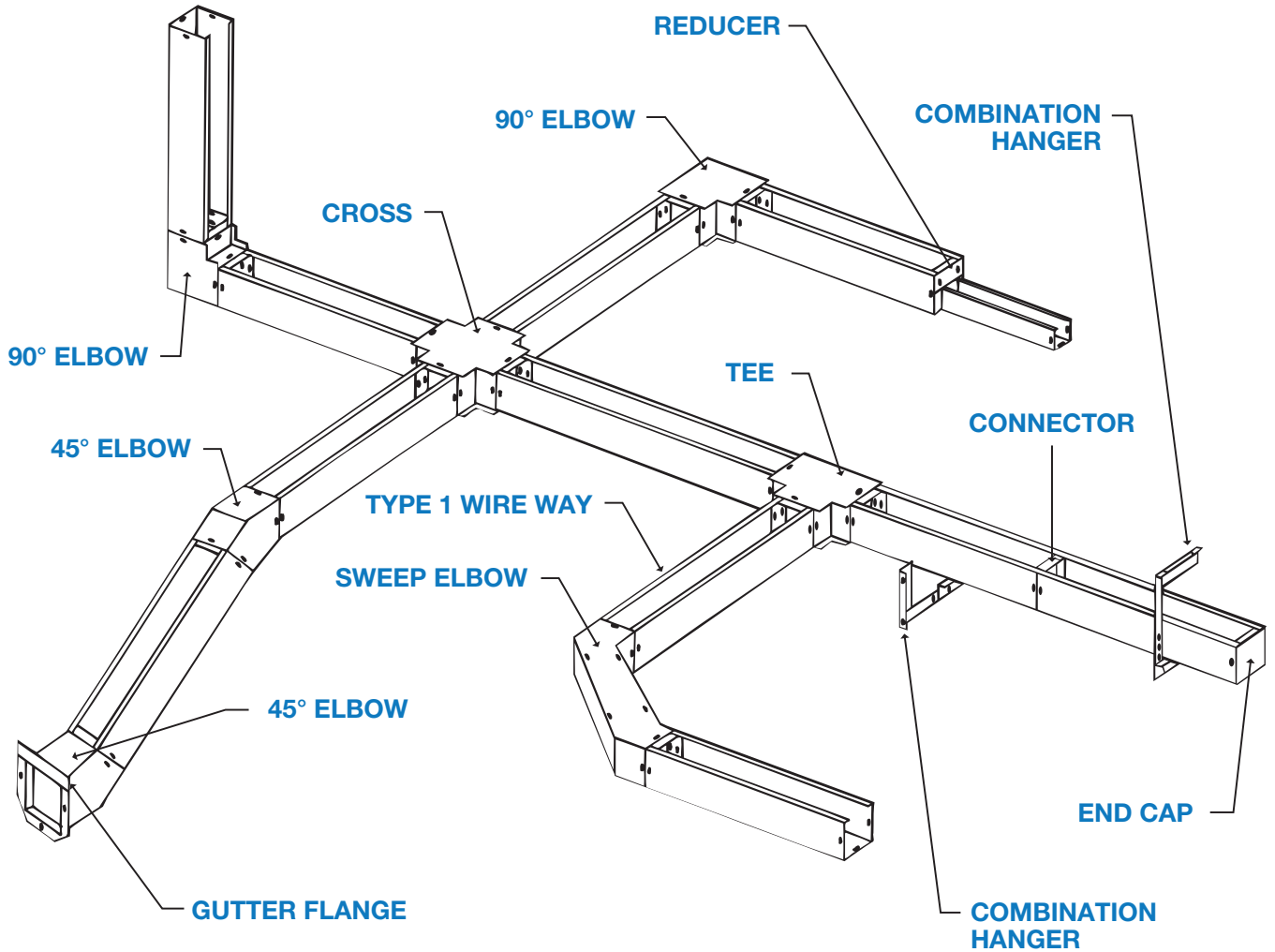
HARDWARE AND ACCESSORIES

CUSTOM ENCLOSURE SOLUTIONS

CABLE MANAGEMENT SOLUTIONS



- This drawing is for illustration purposes only and does not depict any particular installation method
- Top or bottom on all Elbows, Tees and Crosses are removable for lay-in wire or cable installation
- All Elbows, Tees and Crosses can be used in the vertical or horizontal plane
- WW covers are not shown for illustration only
- Dividers available



TYPE 1 ENCLOSURES

TYPE 3 AND 3R ENCLOSURES

CABLE MANAGEMENT SOLUTIONS

UTILITY AND STORAGE CABINETS

HARDWARE AND ACCESSORIES

CUSTOM ENCLOSURE SOLUTIONS

CABLE MANAGEMENT SOLUTIONS



Type 1 Wireway Fittings

TYPE 1 ENCLOSURES

TYPE 3 AND 3R ENCLOSURES

CABLE MANAGEMENT SOLUTIONS

UTILITY AND STORAGE CABINETS

HARDWARE AND ACCESSORIES

CUSTOM ENCLOSURE SOLUTIONS



Reducer – Powder Coated

CATALOG NUMBER	UPC (761515)	SIZE	WGT	LIST PRICE
64R	10989	6to4	1	\$68.89
84R	10990	8to4	2	\$77.78
104R	10992	10to4	3	\$79.78
86R	10994	8to6	2	\$84.44
106R	10996	10to6	3	\$93.33
108R	10997	10to8	3	\$102.22
128R	10998	12to8	3	\$106.67
1210R	10999	12to10	3	\$133.33



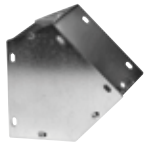
Reducer – Galvanized

CATALOG NUMBER	UPC (761515)	SIZE	WGT	LIST PRICE
64RG	38013	6to4	1	\$68.89
84RG	38015	8to4	2	\$77.78
104RG	38017	10to4	3	\$79.98
86RG	38019	8to6	2	\$84.44
106RG	38021	10to6	3	\$93.33
108RG	38023	10to8	3	\$102.22
128RG	38025	12to8	3	\$106.67
1210RG	38027	12to10	3	\$133.33



45° Elbow – Powder Coated

CATALOG NUMBER	UPC (761515)	SIZE (W"xH")	WGT	LIST PRICE
44L45	11018	4x4	2	\$53.33
66L45	11020	6x6	3	\$66.67
88L45	11022	8x8	6	\$102.22
1010L45	11024	10x10	8	\$151.11
1212L45	11026	12x12	10	\$200.00



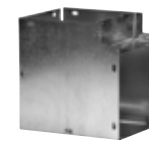
45° Elbow – Galvanized

CATALOG NUMBER	UPC (761515)	SIZE (W"xH")	WGT	LIST PRICE
44L45G	11019	4x4	2	\$53.33
66L45G	11021	6x6	3	\$66.67
88L45G	11025	8x8	6	\$102.22
1010L45G	11028	10x10	8	\$151.11
1212L45G	11029	12x12	10	\$200.00



90° Elbow – Powder Coated

CATALOG NUMBER	UPC (761515)	SIZE (W"xH")	WGT	LIST PRICE
44L	11002	4x4	3	\$54.44
66L	11006	6x6	5	\$68.89
88L	11010	8x8	8	\$102.22
1010L	11012	10x10	15	\$151.11
1212L	11014	12x12	20	\$200.00



90° Elbow – Galvanized

CATALOG NUMBER	UPC (761515)	SIZE (W"xH")	WGT	LIST PRICE
44LG	11003	4x4	3	\$54.44
66LG	11007	6x6	5	\$68.89
88LG	11011	8x8	8	\$102.22
1010LG	11013	10x10	15	\$151.11
1212LG	11015	12x12	20	\$200.00



90° Sweep Elbow – Powder Coated

CATALOG NUMBER	UPC (761515)	SIZE (W"xH")	WGT	LIST PRICE
44SL	11603	4x4	3	\$100.90
66SL	11607	6x6	6	\$115.36
88SL	11611	8x8	9	\$204.16
1010SL	11613	10x10	12	\$286.72
1212SL	11615	12x12	16	\$386.56



90° Sweep Elbow – Galvanized

CATALOG NUMBER	UPC (761515)	SIZE (W"xH")	WGT	LIST PRICE
44SLG	18002	4x4	3	\$100.90
66SLG	18003	6x6	6	\$115.36
88SLG	18004	8x8	9	\$204.16
1010SLG	18005	10x10	12	\$286.72
1212SLG	18006	12x12	16	\$386.56



Inside Outside 90° Elbow – Powder Coated

CATALOG NUMBER	UPC (761515)	SIZE (W"xH")	WGT	LIST PRICE
44INXL	11521	4x4	3	\$74.44
66INXL	11523	6x6	5	\$84.88
88INXL	11525	8x8	8	\$102.22
1010INXL	11527	10x10	15	\$151.11
1212INXL	11529	12x12	20	\$200.00



Inside Outside 90° Elbow – Galvanized

CATALOG NUMBER	UPC (761515)	SIZE (W"xH")	WGT	LIST PRICE
44INXLG	11531	4x4	3	\$74.44
66INXLG	11533	6x6	5	\$84.88
88INXLG	11535	8x8	8	\$102.22
1010INXLG	11537	10x10	15	\$151.11
1212INXLG	11539	12x12	20	\$200.00



Cross – Powder Coated

CATALOG NUMBER	UPC (761515)	SIZE (W"xH")	WGT	LIST PRICE
44X	11032	4x4	3	\$71.11
66X	11034	6x6	6	\$100.00
88X	11036	8x8	8	\$142.22
1010X	11038	10x10	15	\$222.22
1212X	11040	12x12	17	\$266.67



Cross – Galvanized

CATALOG NUMBER	UPC (761515)	SIZE (W"xH")	WGT	LIST PRICE
44XG	11033	4x4	3	\$71.11
66XG	11035	6x6	6	\$100.00
88XG	11037	8x8	8	\$142.22
1010XG	11039	10x10	15	\$222.22
1212XG	11041	12x12	17	\$266.67



Type 1 Wireway Fittings



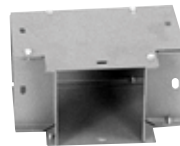
End Cap – Powder Coated

CATALOG NUMBER	UPC (761515)	SIZE (W"xH")	WGT	LIST PRICE
44E	10810	4x4	0.5	\$7.11
66E	10830	6x6	0.75	\$11.11
88E	10850	8x8	2	\$13.33
1010E	10870	10x10	2	\$24.44
1212E	10890	12x12	4	\$28.89



End Cap – Galvanized

CATALOG NUMBER	UPC (761515)	SIZE (W"xH")	WGT	LIST PRICE
44EG	10811	4x4	0.5	\$7.11
66EG	10831	6x6	0.75	\$11.11
88EG	10851	8x8	2	\$13.33
1010EG	10871	10x10	2	\$24.44
1212EG	10891	12x12	4	\$28.89



Tee – Powder Coated

CATALOG NUMBER	UPC (761515)	SIZE (W"xH")	WGT	LIST PRICE
44T	10972	4x4	3	\$62.22
66T	10976	6x6	5	\$86.67
88T	10980	8x8	9	\$133.33
1010T	10984	10x10	15	\$222.22
1212T	10988	12x12	20	\$284.44



Tee – Galvanized

CATALOG NUMBER	UPC (761515)	SIZE (W"xH")	WGT	LIST PRICE
44TG	10973	4x4	3	\$62.22
66TG	10974	6x6	5	\$86.67
88TG	10975	8x8	9	\$133.33
1010TG	10977	10x10	15	\$222.22
1212TG	10978	12x12	20	\$284.44



Sweep Tee – Powder Coated

CATALOG NUMBER	UPC (761515)	SIZE (W"xH")	WGT	LIST PRICE
44ST	11501	4x4	4	\$100.90
66ST	11503	6x6	6	\$115.36
88ST	11505	8x8	10	\$204.16
1010ST	11507	10x10	16	\$286.72
1212ST	11509	12x12	21	\$386.56



Sweep Tee – Galvanized

CATALOG NUMBER	UPC (761515)	SIZE (W"xH")	WGT	LIST PRICE
44STG	11511	4x4	4	\$100.90
66STG	11513	6x6	6	\$115.36
88STG	11515	8x8	10	\$204.16
1010STG	11517	10x10	16	\$286.72
1212STG	11519	12x12	21	\$386.56



Connector – Galvanized

CATALOG NUMBER	UPC (761515)	SIZE (W"xH")	WGT	LIST PRICE
44C	10901	4x4	0.4	\$7.11
66C	10903	6x6	0.5	\$11.11
88C	10905	8x8	1	\$13.33
1010C	10907	10x10	1.25	\$24.44
1212C	10909	12x12	2	\$28.89



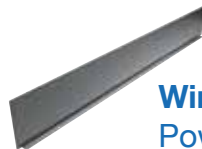
Gutter Flange – Galvanized

CATALOG NUMBER	UPC (761515)	SIZE (W"xH")	WGT	LIST PRICE
44GF	10942	4x4	0.25	\$22.22
66GF	10946	6x6	1	\$31.11
88GF	10950	8x8	1	\$44.44
1010GF	10954	10x10	1	\$66.67
1212GF	10958	12x12	1	\$88.89



Combination Hangers – Galvanized

CATALOG NUMBER	UPC (761515)	SIZE (W"xH")	WGT	LIST PRICE
24HG	47010	2x4	4.5	\$22.00
68HG	47021	6x8	8	\$30.89
1012HG	47025	10x12	17	\$77.78



Wireway Dividers – Powder Coated

CATALOG NUMBER	UPC (761515)	SIZE (W"xH")	WGT	LIST PRICE
4X60DIV	11653	4x60	4.05	\$54.04
6X60DIV	11655	6x60	5.85	\$57.92
8X60DIV	11657	8x60	7.65	\$61.80



Wireway Dividers – Galvanized

CATALOG NUMBER	UPC (761515)	SIZE (W"xH")	WGT	LIST PRICE
4X60DIVG	11654	4x60	4.05	\$54.04
6X60DIVG	11656	6x60	5.85	\$57.92
8X60DIVG	11658	8x60	7.65	\$61.80



Support Brackets

CATALOG NUMBER	UPC (761515)	SIZE (W"xH")	WGT	LIST PRICE
44SB	60420	4x4	0.4	\$17.00
66SB	60422	6x6	0.5	\$25.00
88SB	60424	8x8	0.75	\$33.00

TYPE 1 ENCLOSURES

TYPE 3 AND 3R ENCLOSURES

CABLE MANAGEMENT SOLUTIONS

UTILITY AND STORAGE CABINETS

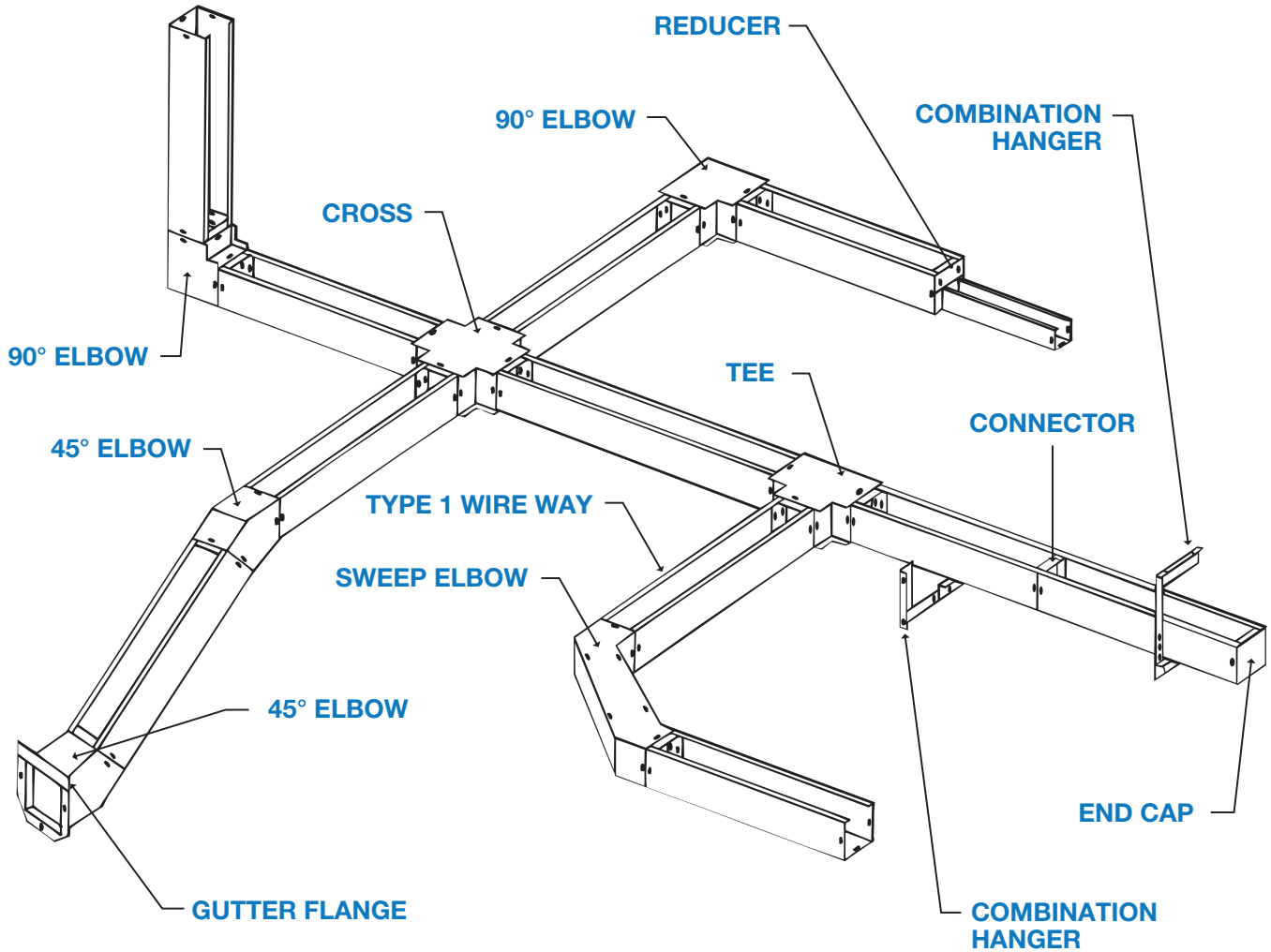
HARDWARE AND ACCESSORIES

CUSTOM ENCLOSURE SOLUTIONS

CABLE MANAGEMENT SOLUTIONS



- This drawing is for illustration purposes only and does not depict any particular installation method
- Top or bottom on all Elbows, Tees and Crosses are removable for lay-in wire or cable installation
- All Elbows, Tees and Crosses can be used in the vertical or horizontal plane
- WW covers are not shown for illustration only
- Dividers available



TYPE 1 ENCLOSURES

TYPE 3 AND 3R ENCLOSURES

CABLE MANAGEMENT SOLUTIONS

UTILITY AND STORAGE CABINETS

HARDWARE AND ACCESSORIES

CUSTOM ENCLOSURE SOLUTIONS