



MILBANK
ENERGY AT WORK

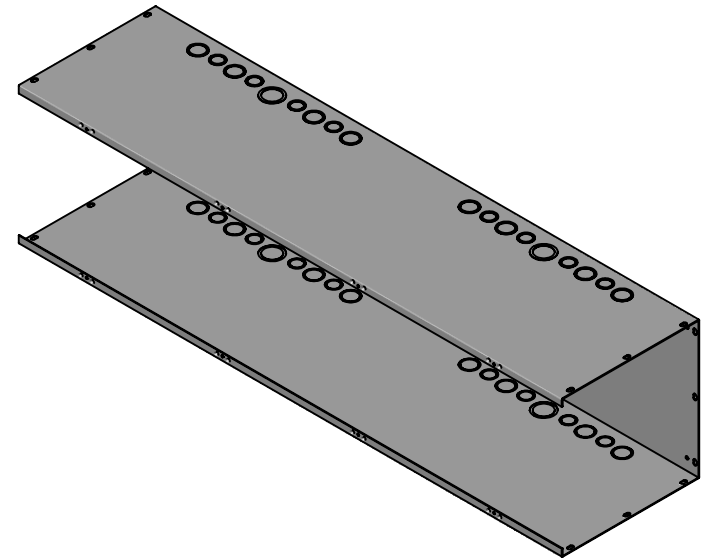
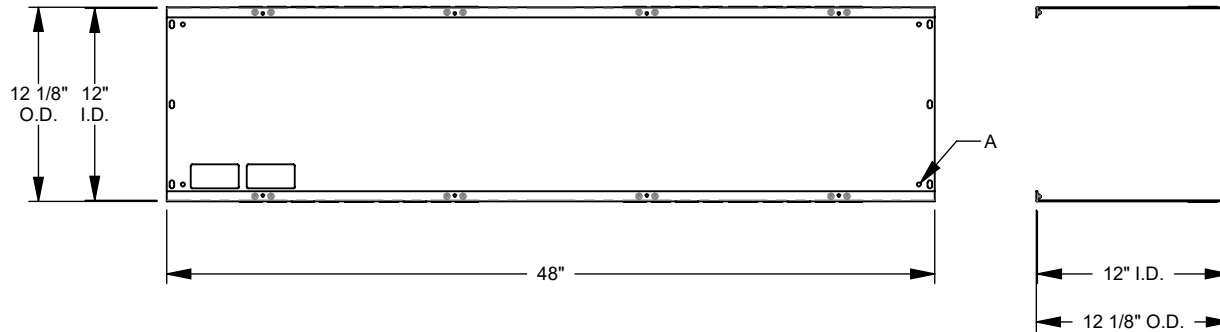


121248-GSC1-NK

Catalog Number	121248-GSC1-NK
Marketing Product Description	12x48x12 Screw Cover Wireway Type 1 UL Listed Steel No Knockouts ANSI 61 Gray
UPC	784572101265
Length (IN)	48
Width (IN)	12
Height (IN)	12
Weight (LB)	48
Brand Name	Milbank
Type	Lay In Wireway
Application	Wireway
Standard	UL Listed
Cover Type	Screw Cover
Enclosure	Indoor Enclosure
Nominal Cross Section	12x12
Straight Section Length	48
Material	Steel
Finish	ANSI 61 Gray Powder Coat Finish
Knockouts	False
NEMA Rating	Type 1

Please consult serving utility for their requirements prior to ordering or installing, as specifications and approvals vary by utility and may require local electrical inspector approval. All installations must be installed by a licensed electrician and must comply with all national and local codes, laws and regulations. Milbank reserves the right to make changes in specifications and features shown without notice or obligation.

FEATURE TABLE		
ITEM	QTY	DESCRIPTION
A	4	Ø.25 MOUNTING HOLE
B	16	½, ¾ CONC. K.O.
C	16	¾, 1 CONC. K.O.
D	4	1, 1¼ CONC. K.O.



Version:

1

All dimensions are +/- 1/16".
Drawing views are not to scale.

Please consult serving utility for their requirements prior to ordering or installing, as specifications and approvals vary by utility, and may require local electrical inspector approval. All installations must be installed by a licensed electrician and must comply with all national and local codes, laws and regulations. Milbank reserves the right to make changes in specifications and features shown without notice or obligation.



MILBANK
ENERGY AT WORK

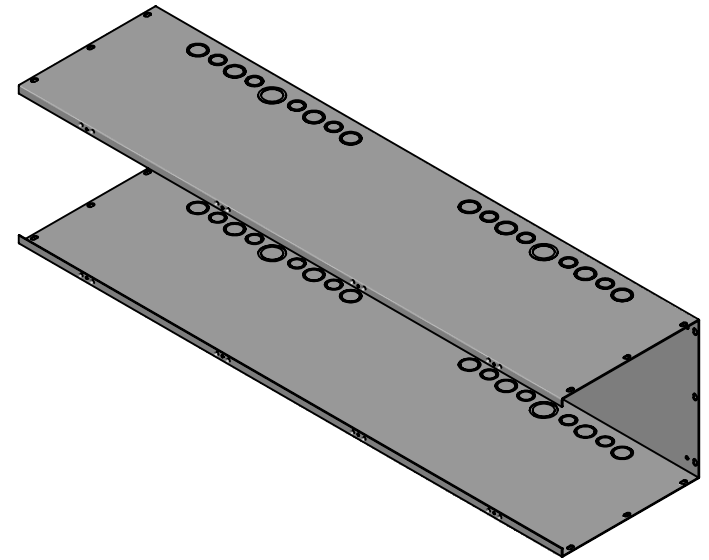
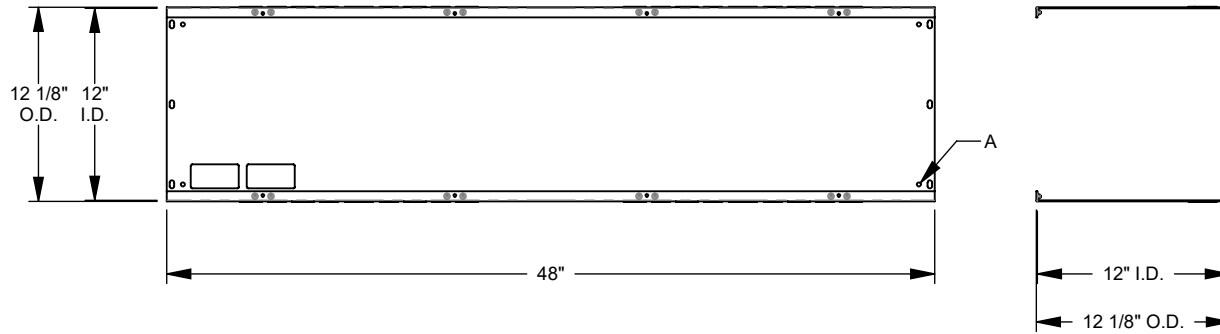


121248-GSC1-NK

Catalog Number	121248-GSC1-NK
Marketing Product Description	12x48x12 Screw Cover Wireway Type 1 UL Listed Steel No Knockouts ANSI 61 Gray
UPC	784572101265
Length (IN)	48
Width (IN)	12
Height (IN)	12
Weight (LB)	48
Brand Name	Milbank
Type	Lay In Wireway
Application	Wireway
Standard	UL Listed
Cover Type	Screw Cover
Enclosure	Indoor Enclosure
Nominal Cross Section	12x12
Straight Section Length	48
Material	Steel
Finish	ANSI 61 Gray Powder Coat Finish
Knockouts	False
NEMA Rating	Type 1

Please consult serving utility for their requirements prior to ordering or installing, as specifications and approvals vary by utility and may require local electrical inspector approval. All installations must be installed by a licensed electrician and must comply with all national and local codes, laws and regulations. Milbank reserves the right to make changes in specifications and features shown without notice or obligation.

FEATURE TABLE		
ITEM	QTY	DESCRIPTION
A	4	Ø.25 MOUNTING HOLE
B	16	½, ¾ CONC. K.O.
C	16	¾, 1 CONC. K.O.
D	4	1, 1¼ CONC. K.O.



Version:

1

All dimensions are +/- 1/16".
Drawing views are not to scale.

Please consult serving utility for their requirements prior to ordering or installing, as specifications and approvals vary by utility, and may require local electrical inspector approval. All installations must be installed by a licensed electrician and must comply with all national and local codes, laws and regulations. Milbank reserves the right to make changes in specifications and features shown without notice or obligation.