

INCANDESCENT LAMPHOLDERS

103-7/308/309/306/103

Cat. #		Approvals
Job	Type	



APPLICATIONS

- Ideal for a wide variety of industrial and commercial applications as accent and general lighting

SPECIFICATIONS 308/309

- Die cast bullet series 175 watt maximum
- Open 308 Series is used indoors or aimed down outdoors. Provides shielding of PAR 38 lamps
- 309 Series has extension ring and weathertight lens. Improves shielding and allows universal aiming in wet locations
- NEW! 15 watt 120-277V LED unit available saves energy and maintenance - Bronze finish 50,000 hour typical life. 3,500K/253 lumens



- Multiple powder paint finishes

SPECIFICATIONS 306

- Cast aluminum housing with decorative "visor" styling. Designed for maximum heat dissipation for long lamp life
- Lens is thermal shock and impact resistant and mounted to cast door for easy service
- High temperature silicone gaskets seal housing and cushion lamp for all-weather protection
- Universal adjustable 1/2" NSPM threaded mounting arm with lock nut. Relamp without disturbing original aiming. Floating-end prong porcelain socket
- Factory wired for fast, easy installation
- Gray powder paint finish

LISTINGS

- Listed to UL1598 for use in wet locations

SPECIFICATIONS 103-7

- Cast aluminum lamp housing with 1/2" NPSM male swivel mounting arm. For all-weather protection
- Universal aiming with PAR 38 lamps
- Factory wired for fast, easy installation
- Gray, green and black powder paint finishes

LISTINGS

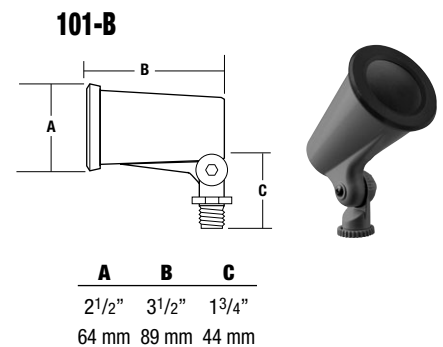
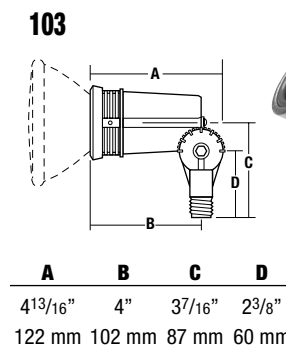
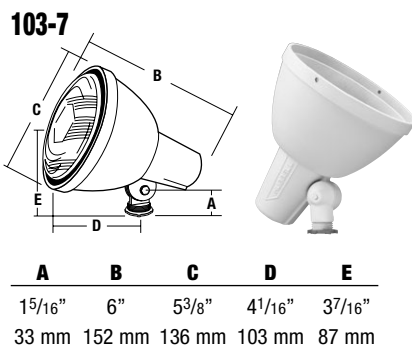
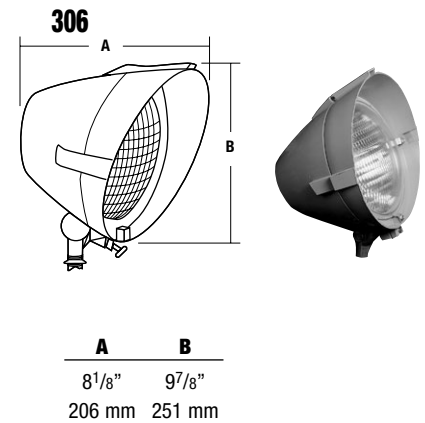
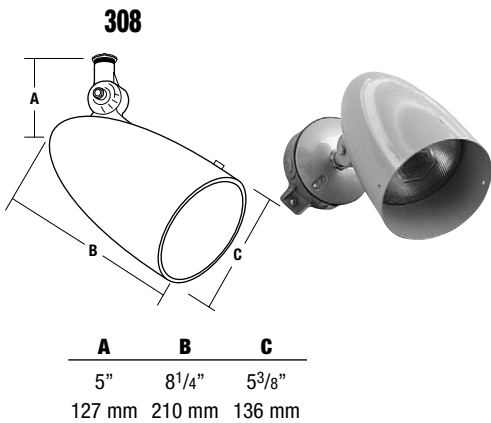
- Listed to UL1598 for use in wet locations

SPECIFICATIONS 103

- Industrial grade with silicone "O" ring gasket for 150 watt maximum PAR or R lamps
- Large 1/2" knuckle provides firm mounting
- Natural aluminum finish

SPECIFICATIONS 101B

- Economy PAR lampholder with front EPDM gasket for up aiming capability in wet locations
- 150W max., bronze finish



ORDERING INFORMATION

see back

Due to our continued efforts to improve our products, product specifications are subject to change without notice.



Hubbell Outdoor Lighting • 701 Millennium Boulevard • Greenville, SC 29607 • Phone: 864-678-1000

Due to our continued efforts to improve our products, product specifications are subject to change without notice.

© 2013 HUBBELL OUTDOOR LIGHTING, All Rights Reserved • For more information visit our website: www.hubbelloutdoor.com • Printed in USA

ORDERING INFORMATION

101-B

Catalog Number	Description	Gasket	Finish	Weight lbs. (kg)
101-B	Unshielded, compact	Neoprene	Bronze	.5 (.23)

103

Catalog Number	Description	Gasket	Finish	Weight lbs. (kg)
103	Unshielded, full size	Silicone	Natural Aluminum	.75 (.3)

103-7 Series

Catalog Number	Description	Gasket	Finish	Weight lbs. (kg)
103-7	Shielded, bell shape	Silicone	Gray	1.25 (0.6)
103-71	Shielded, bell shape	Silicone	Bronze	1.25 (0.6)
103-72	Shielded, bell shape	Silicone	Black	1.25 (0.6)
103-73	Shielded, bell shape	Silicone	Green	1.25 (0.6)
103-74	Shielded, bell shape	Silicone	White	1.25 (0.6)

306

Catalog Number	Description	Finish	Weight lbs. (kg)
306	1/2" Swivel knuckle mount, 12" leads, hinged door and lens	Gray	3.375 (1.7)

306 REPLACEMENT PARTS

Catalog Number	Description
1306C	Lens & Gasket
207-5011-0264	Bronze knuckle

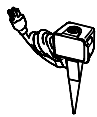
Note PAR 56 lampholders for 300w (maximum) incandescent or 500w quartz; Lamp not included

ACCESSORIES - Order Separately

Catalog Number	Description
S-307	Wire guard for PAR and R lamps, for use with 103 fixture
1048LH	Lens holder for PAR/R 30 or A lamps, for use with 103-7 Series
1052-C	Clear tempered lens for use with 1048LH holder
1324	Wire guard for PAR lamps, for use with 103-7 Series
1308	Plated wire guard for 306 (0.2lbs (.09kg))
1031-3	Ground spike with splice box and 6' cord set - 1/2" top hub
S329B	4" Round wet location outlet box with cover - 1/2" hubs



1324



1031-3

Due to our continued efforts to improve our products, product specifications are subject to change without notice.



Hubbell Outdoor Lighting • 701 Millennium Boulevard • Greenville, SC 29607 • Phone: 864-678-1000

Due to our continued efforts to improve our products, product specifications are subject to change without notice.

© 2013 HUBBELL OUTDOOR LIGHTING, All Rights Reserved • For more information visit our website: www.hubbelloutdoor.com • Printed in USA

LAMP HOLDERS-SPEC 5/13

ORDERING INFORMATION

306

Catalog Number	Description	Finish	Weight lbs. (kg)
Damp Location Listed - Aim Down Outdoors¹			
308-M	8 1/4" long	Gray	2.25 (1)
308-13-M	8 1/4" long	Garden Green	2.25 (1)
308-14-M	8 1/4" long	Matte Black	2.25 (1)
Wet Location Listed - Universal Aiming²			
309-ML	9 7/8" long	Gray	3 (1.4)
309-13-ML	9 7/8" long	Garden Green	3 (1.4)
309-14-ML	9 7/8" long	Matte Black	3 (1.4)
309-VG-ML	9 7/8" long	Verdi	3 (1.4)
309-M51-ML	9 7/8" long	Dark Bronze	3 (1.4)
309-M54-ML	9 7/8" long	White	3 (1.4)
LED - Wet Location Listed - Universal Aiming - 15w			
30910LEDML	9 7/8" long	Bronze	5 (2.2)

1 Use medium base PAR 38 lamps or smaller, 150w maximum

2 Use PAR 38 or BR40 lamps, 150w maximum

ACCESSORIES - Order Separately

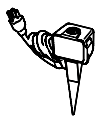
Catalog Number	Description	Weight lbs. (kg)
264 0097 9702	Clear lens	.5 (0.2)
1324	Zinc-plated wire guard	.25 (0.1)
309-S	Shield, 7" X 45°, black	1.7 (0.8)
C-5	Wall or tree box, 3 mounting lugs in body; 2 1/2" hubs in "L" shape layout, side access plate	.25 (.11)
S-329-B	Cast round box, 4", 6-sided 1/2" back hub (wall or ceiling)	.75 (.3)
NM-BC	Non-metallic high impact phenolic weatherproof box & cover, box is drilled at 180° for two burial cable connectors (included), allowing feed-through capability; gasketed cover has weathertight 1/2" hub; brass cover with screws; gray	
1414-BOX	Cast iron box - two side hubs, one top (1/2"); heavy-duty; gray	.8 (.4)
1031-3	Cast spike with internal splice box, 1/2" NPSM hub for fixture & 6' #18/3 grounded cord set; gray	1.75 (.8)



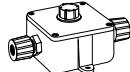
1324



309-S



1031-3



NM-BC

Due to our continued efforts to improve our products, product specifications are subject to change without notice.



Hubbell Outdoor Lighting • 701 Millennium Boulevard • Greenville, SC 29607 • Phone: 864-678-1000

Due to our continued efforts to improve our products, product specifications are subject to change without notice.

© 2013 HUBBELL OUTDOOR LIGHTING, All Rights Reserved • For more information visit our website: www.hubbelloutdoor.com • Printed in USA

LAMP HOLDERS - SPEC 5/13

INCANDESCENT LAMPHOLDERS

103-7/308/309/306/103

Cat. #		Approvals
Job	Type	



APPLICATIONS

- Ideal for a wide variety of industrial and commercial applications as accent and general lighting

SPECIFICATIONS 308/309

- Die cast bullet series 175 watt maximum
- Open 308 Series is used indoors or aimed down outdoors. Provides shielding of PAR 38 lamps
- 309 Series has extension ring and weathertight lens. Improves shielding and allows universal aiming in wet locations
- NEW! 15 watt 120-277V LED unit available saves energy and maintenance - Bronze finish 50,000 hour typical life. 3,500K/253 lumens



- Multiple powder paint finishes

SPECIFICATIONS 306

- Cast aluminum housing with decorative "visor" styling. Designed for maximum heat dissipation for long lamp life
- Lens is thermal shock and impact resistant and mounted to cast door for easy service
- High temperature silicone gaskets seal housing and cushion lamp for all-weather protection
- Universal adjustable 1/2" NSPM threaded mounting arm with lock nut. Relamp without disturbing original aiming. Floating-end prong porcelain socket
- Factory wired for fast, easy installation
- Gray powder paint finish

LISTINGS

- Listed to UL1598 for use in wet locations

SPECIFICATIONS 103-7

- Cast aluminum lamp housing with 1/2" NPSM male swivel mounting arm. For all-weather protection
- Universal aiming with PAR 38 lamps
- Factory wired for fast, easy installation
- Gray, green and black powder paint finishes

LISTINGS

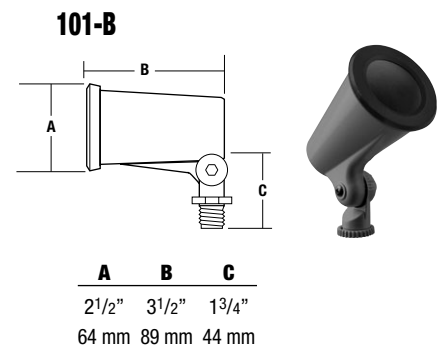
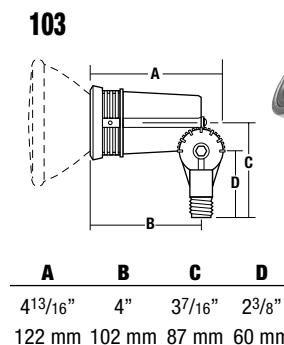
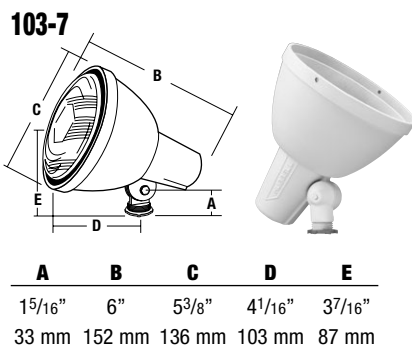
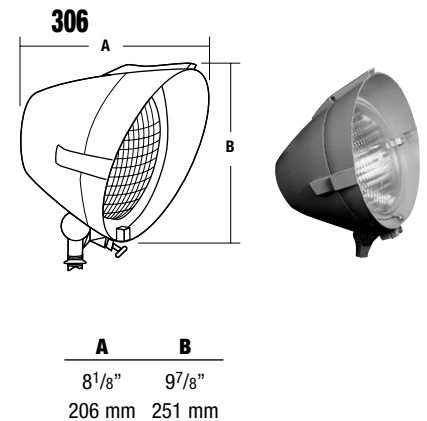
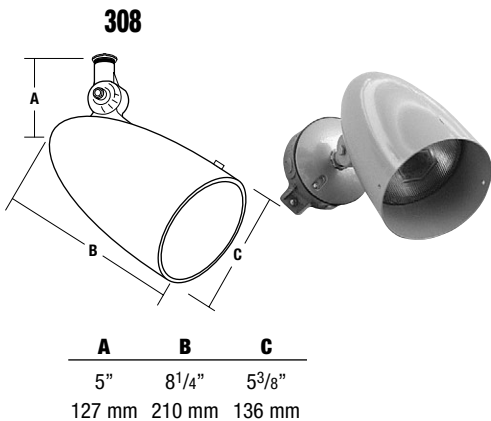
- Listed to UL1598 for use in wet locations

SPECIFICATIONS 103

- Industrial grade with silicone "O" ring gasket for 150 watt maximum PAR or R lamps
- Large 1/2" knuckle provides firm mounting
- Natural aluminum finish

SPECIFICATIONS 101B

- Economy PAR lampholder with front EPDM gasket for up aiming capability in wet locations
- 150W max., bronze finish



ORDERING INFORMATION

see back

Due to our continued efforts to improve our products, product specifications are subject to change without notice.



Hubbell Outdoor Lighting • 701 Millennium Boulevard • Greenville, SC 29607 • Phone: 864-678-1000
Due to our continued efforts to improve our products, product specifications are subject to change without notice.

© 2013 HUBBELL OUTDOOR LIGHTING, All Rights Reserved • For more information visit our website: www.hubbelloutdoor.com • Printed in USA

ORDERING INFORMATION

101-B

Catalog Number	Description	Gasket	Finish	Weight lbs. (kg)
101-B	Unshielded, compact	Neoprene	Bronze	.5 (.23)

103

Catalog Number	Description	Gasket	Finish	Weight lbs. (kg)
103	Unshielded, full size	Silicone	Natural Aluminum	.75 (.3)

103-7 Series

Catalog Number	Description	Gasket	Finish	Weight lbs. (kg)
103-7	Shielded, bell shape	Silicone	Gray	1.25 (0.6)
103-71	Shielded, bell shape	Silicone	Bronze	1.25 (0.6)
103-72	Shielded, bell shape	Silicone	Black	1.25 (0.6)
103-73	Shielded, bell shape	Silicone	Green	1.25 (0.6)
103-74	Shielded, bell shape	Silicone	White	1.25 (0.6)

306

Catalog Number	Description	Finish	Weight lbs. (kg)
306	1/2" Swivel knuckle mount, 12" leads, hinged door and lens	Gray	3.375 (1.7)

306 REPLACEMENT PARTS

Catalog Number	Description
1306C	Lens & Gasket
207-5011-0264	Bronze knuckle

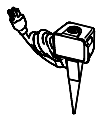
Note PAR 56 lampholders for 300w (maximum) incandescent or 500w quartz; Lamp not included

ACCESSORIES - Order Separately

Catalog Number	Description
S-307	Wire guard for PAR and R lamps, for use with 103 fixture
1048LH	Lens holder for PAR/R 30 or A lamps, for use with 103-7 Series
1052-C	Clear tempered lens for use with 1048LH holder
1324	Wire guard for PAR lamps, for use with 103-7 Series
1308	Plated wire guard for 306 (0.2lbs (.09kg))
1031-3	Ground spike with splice box and 6' cord set - 1/2" top hub
S329B	4" Round wet location outlet box with cover - 1/2" hubs



1324



1031-3

Due to our continued efforts to improve our products, product specifications are subject to change without notice.



Hubbell Outdoor Lighting • 701 Millennium Boulevard • Greenville, SC 29607 • Phone: 864-678-1000

Due to our continued efforts to improve our products, product specifications are subject to change without notice.

© 2013 HUBBELL OUTDOOR LIGHTING, All Rights Reserved • For more information visit our website: www.hubbelloutdoor.com • Printed in USA

LAMP HOLDERS-SPEC 5/13

ORDERING INFORMATION

306

Catalog Number	Description	Finish	Weight lbs. (kg)
Damp Location Listed - Aim Down Outdoors¹			
308-M	8 1/4" long	Gray	2.25 (1)
308-13-M	8 1/4" long	Garden Green	2.25 (1)
308-14-M	8 1/4" long	Matte Black	2.25 (1)
Wet Location Listed - Universal Aiming²			
309-ML	9 7/8" long	Gray	3 (1.4)
309-13-ML	9 7/8" long	Garden Green	3 (1.4)
309-14-ML	9 7/8" long	Matte Black	3 (1.4)
309-VG-ML	9 7/8" long	Verdi	3 (1.4)
309-M51-ML	9 7/8" long	Dark Bronze	3 (1.4)
309-M54-ML	9 7/8" long	White	3 (1.4)
LED - Wet Location Listed - Universal Aiming - 15w			
30910LEDML	9 7/8" long	Bronze	5 (2.2)

1 Use medium base PAR 38 lamps or smaller, 150w maximum

2 Use PAR 38 or BR40 lamps, 150w maximum

ACCESSORIES - Order Separately

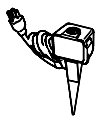
Catalog Number	Description	Weight lbs. (kg)
264 0097 9702	Clear lens	.5 (0.2)
1324	Zinc-plated wire guard	.25 (0.1)
309-S	Shield, 7" X 45°, black	1.7 (0.8)
C-5	Wall or tree box, 3 mounting lugs in body; 2 1/2" hubs in "L" shape layout, side access plate	.25 (.11)
S-329-B	Cast round box, 4", 6-sided 1/2" back hub (wall or ceiling)	.75 (.3)
NM-BC	Non-metallic high impact phenolic weatherproof box & cover, box is drilled at 180° for two burial cable connectors (included), allowing feed-through capability; gasketed cover has weathertight 1/2" hub; brass cover with screws; gray	
1414-BOX	Cast iron box - two side hubs, one top (1/2"); heavy-duty; gray	.8 (.4)
1031-3	Cast spike with internal splice box, 1/2" NPSM hub for fixture & 6' #18/3 grounded cord set; gray	1.75 (.8)



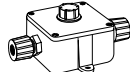
1324



309-S



1031-3



NM-BC

Due to our continued efforts to improve our products, product specifications are subject to change without notice.



Hubbell Outdoor Lighting • 701 Millennium Boulevard • Greenville, SC 29607 • Phone: 864-678-1000

Due to our continued efforts to improve our products, product specifications are subject to change without notice.

© 2013 HUBBELL OUTDOOR LIGHTING, All Rights Reserved • For more information visit our website: www.hubbelloutdoor.com • Printed in USA

LAMP HOLDERS - SPEC 5/13