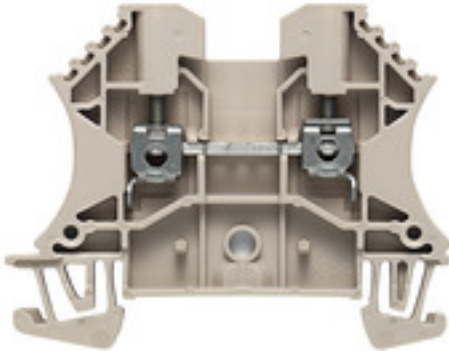


**W-Series**  
**WDU 2.5**

**Weidmüller Interface GmbH & Co. KG**  
 Klingenbergstraße 16  
 D-32758 Detmold  
 Germany  
 Fon: +49 5231 14-0  
 Fax: +49 5231 14-292083  
 www.weidmueller.com


**Klippon® Connect with clamping yoke Technology**

The high reliability and variety of designs of the terminal blocks with clamping yoke connections make planning easier and optimises operational safety. Klippon® Connect provides a proven response to a range of different requirements.

**General ordering data**

|            |  |
|------------|--|
| Type       | WDU 2.5  |
| Order No.  | <a href="#">1020000000</a>   |
| Version    | Feed-through terminal, Screw connection, 2.5 mm <sup>2</sup> , 800 V, 24 A, Dark Beige |
| GTIN (EAN) | 4008190099633  |
| Qty.       | 100 pc(s).   |

**W-Series**  
**WDU 2.5**

**Weidmüller Interface GmbH & Co. KG**  
 Klingenbergstraße 16  
 D-32758 Detmold  
 Germany  
 Fon: +49 5231 14-0  
 Fax: +49 5231 14-292083  
 www.weidmueller.com

**Technical data****Dimensions and weights**

|        |         |                 |            |
|--------|---------|-----------------|------------|
| Width  | 5.1 mm  | Width (inches)  | 0.201 inch |
| Height | 60 mm   | Height (inches) | 2.362 inch |
| Depth  | 46.5 mm | Depth (inches)  | 1.831 inch |
| Weight | 7 g     | Net weight      | 7.51 g     |

**Temperatures**

|                                  |        |                                  |        |
|----------------------------------|--------|----------------------------------|--------|
| Continuous operating temp., min. | -60 °C | Continuous operating temp., max. | 130 °C |
|----------------------------------|--------|----------------------------------|--------|

**Material data**

|                           |       |        |            |
|---------------------------|-------|--------|------------|
| Material                  | Wemid | Colour | Dark Beige |
| UL 94 flammability rating | V-0   |        |            |

**Rating data IECEx/ATEX**

|                                |   |                                 |                     |
|--------------------------------|---|---------------------------------|---------------------|
| Certificate No. (ATEX)         | DEMKO14ATEX1338U  | Certificate No. (IECEX)         | IECEXULD14.0005U    |
| Max. voltage (ATEX)            | 690 V   | Current (ATEX)                  | 24 A                |
| Wire cross section max. (ATEX) | 2.5 mm <sup>2</sup>   | Max. voltage (IECEX)            | 690 V               |
| Current (IECEX)                | 24 A  | Wire cross section max. (IECEX) | 2.5 mm <sup>2</sup> |
| Operating temperature range    | For operating temperature range see EC Design Test Certificate / IEC Ex-Certificate of Conformity | Marking EN 60079-7              | Ex eb II C Gb       |
| Ex 2014/34/EU label            | II 2 G D  |                                 |                     |

**System specifications**

|  |  |   |        |
|--|--|---|--------|
| Version  | Screw connection, for plug-in cross-connector, for screwable cross-connection, One end without connector | Tightening torque (clamping screw for aluminium conductors) | 0.4 Nm |
| Tightening torque (clamping screw for copper conductors) | 0.4...0.8 Nm   | End cover plate required                                    | Yes    |
| Number of potentials                                     | 1  | Number of levels  | 1      |
| No. of clamping points per level                         | 2  | Number of potentials per tier                               | 1      |
| Levels cross-connected internally                        | No   | PE connection   | No     |
| Mounting rail  | TS 35  | N-function  | No     |
| PE function  | No   | PEN function  | No     |

**2 clampable conductors (H05V/H07V) with equal cross-section (rated connection)**

|  |                     |  |                     |
|--|---------------------|--|---------------------|
| Cross-section for connected wire, solid, two clampable wires, min.   | 0.5 mm <sup>2</sup> | Cross-section for connected wire, solid, two clampable wires, max.   | 1.5 mm <sup>2</sup> |
| Wire connection cross section, finely stranded, two clampable wires, min.                                  | 0.5 mm <sup>2</sup> | Wire cross-section, finely stranded, two clampable wires, max.   | 1.5 mm <sup>2</sup> |
| Wire connection cross section, finely stranded with wire-end ferrules DIN 46228/1, 2 clampable wires, min. | 0.5 mm <sup>2</sup> | Wire connection cross section, finely stranded with wire-end ferrules DIN 46228/1, 2 clampable wires, max. | 1.5 mm <sup>2</sup> |

**Additional technical data**

|                          |       |                             |         |
|--------------------------|-------|-----------------------------|---------|
| Explosion-tested version | Yes   | Number of similar terminals | 1       |
| Open sides               | right | Type of mounting            | Snap-on |

**W-Series**  
**WDU 2.5**

**Weidmüller Interface GmbH & Co. KG**  
 Klingenbergstraße 16  
 D-32758 Detmold  
 Germany  
 Fon: +49 5231 14-0  
 Fax: +49 5231 14-292083  
 www.weidmueller.com

**Technical data****CSA rating data**

|                               |                |                               |        |
|-------------------------------|----------------|-------------------------------|--------|
| Certificate No. (CSA)         | 200039-1057876 | Current size C (CSA)          | 20 A   |
| Voltage size C (CSA)          | 600 V          | Wire cross section max. (CSA) | 12 AWG |
| Wire cross section min. (CSA) | 26 AWG         |                               |        |

**Conductors for clamping (rated connection)**

|   |                      |   |                     |
|---|----------------------|---|---------------------|
| Blade size  | 0.6 x 3.5 mm         | Clamping range, max.  | 4 mm <sup>2</sup>   |
| Clamping range, min.  | 0.05 mm <sup>2</sup> | Clamping screw  | M 2.5               |
| Connection cross-section, stranded, max.  | 4 mm <sup>2</sup>    | Connection cross-section, stranded, min.  | 1.5 mm <sup>2</sup> |
| Connection direction  | on side              | Gauge to IEC 60947-1  | A3                  |
| Number of connections   | 2                    | Stripping length  | 10 mm               |
| Tightening torque, max.   | 0.8 Nm               | Tightening torque, min.   | 0.4 Nm              |
| Torque level with DMS electric screwdriver  | 1                    | Twin wire-end ferrules, max.  | 1.5 mm <sup>2</sup> |
| Twin wire-end ferrules, min.  | 0.5 mm <sup>2</sup>  | Type of connection  | Screw connection    |
| Wire connection cross section AWG, max.   | AWG 12               | Wire connection cross section AWG, min.   | AWG 30              |
| Wire connection cross section, finely stranded, max.                                    | 4 mm <sup>2</sup>    | Wire connection cross-section, finely stranded with wire-end ferrules DIN 46228/1, max. | 2.5 mm <sup>2</sup> |
| Wire connection cross-section, finely stranded with wire-end ferrules DIN 46228/1, min. | 0.5 mm <sup>2</sup>  | Wire connection cross-section, finely stranded with wire-end ferrules DIN 46228/4, max. | 2.5 mm <sup>2</sup> |
| Wire connection cross-section, finely stranded with wire-end ferrules DIN 46228/4, min. | 0.5 mm <sup>2</sup>  | Wire connection cross-section, finely stranded, min.                                    | 0.5 mm <sup>2</sup> |
| Wire connection cross-section, solid core, max.   | 4 mm <sup>2</sup>    | Wire connection cross-section, solid core, min.   | 0.5 mm <sup>2</sup> |

**Rating data**

|                                 |                     |  |         |
|---------------------------------|---------------------|--|---------|
| Rated cross-section             | 2.5 mm <sup>2</sup> | Rated voltage                                | 800 V   |
| Rated current                   | 24 A                | Current at maximum wires                     | 32 A    |
| Standards                       | IEC 60947-7-1       | Volume resistance according to IEC 60947-7-x | 1.33 mΩ |
| Rated impulse withstand voltage | 8 kV                | Pollution severity                           | 3       |

**UL rating data**

|   |        |   |        |
|---|--------|---|--------|
| Certificate No. (UR)                    | E60693 | Conductor size Factory wiring max. (UR) | 12 AWG |
| Conductor size Factory wiring min. (UR) | 30 AWG | Conductor size Field wiring max. (UR)   | 12 AWG |
| Conductor size Field wiring min. (UR)   | 28 AWG | Current size B (UR)                     | 25 A   |
| Current size C (UR)                     | 25 A   | Voltage size B (UR)                     | 600 V  |
| Voltage size C (UR)                     | 600 V  |   |        |

**Classifications**

|            |             |            |             |
|------------|-------------|------------|-------------|
| ETIM 3.0   | EC000897    | ETIM 4.0   | EC000897    |
| ETIM 5.0   | EC000897    | ETIM 6.0   | EC000897    |
| UNSPSC     | 30-21-18-11 | eClass 5.1 | 27-14-11-20 |
| eClass 6.2 | 27-14-11-20 | eClass 7.1 | 27-14-11-20 |
| eClass 8.1 | 27-14-11-20 | eClass 9.0 | 27-14-11-20 |
| eClass 9.1 | 27-14-11-20 |            |             |

**Data sheet**

**W-Series  
WDU 2.5**

**Weidmüller Interface GmbH & Co. KG**  
 Klingenbergstraße 16  
 D-32758 Detmold  
 Germany  
 Fon: +49 5231 14-0  
 Fax: +49 5231 14-292083  
 www.weidmueller.com

**Technical data**

**Product information**

|                                 |  |
|---------------------------------|--|
| Descriptive text ordering data  | Rated voltage is 400 V when using the cross-connector.<br>For colour versions, see section on W-series Accessories                           |
| Descriptive text technical data | 2.5 mm <sup>2</sup> conductor with ferrule with plastic collar, with the collar optimised for diameter only (order No. 1333100000, QTY 500). |
| Instructions for accessories    | Ensure 2.5 mm <sup>2</sup> max. when using the WQB. Only 400 V with the use of shield bus LS 2.8 1056400000 .                                |

**Approvals**

Approvals



|      |         |
|------|---------|
| ROHS | Conform |
|------|---------|

**Downloads**

|   |  |
|---|--|
| Approval/Certificate/Document of Conformity | <a href="#">CFAT_WDU 2.5.pdf</a><br><a href="#">IECEXULD14.0005U_e.pdf</a><br><a href="#">CB Testreport</a><br><a href="#">CB Certificate</a><br><a href="#">DE_PT1001_20160414_150_ISSUE01.pdf</a><br><a href="#">ACF-ATEX_4786180920</a> |
| Brochure/Catalogue                          | <a href="#">CAT 1 TERM. 16/17 EN</a>   |
| Engineering Data                            | <a href="#">EPLAN, WSCAD, Zuken E3.S</a>   |
| Engineering Data                            | <a href="#">STEP</a>   |
| User Documentation                          | <a href="#">NTI_IECEX_WDU-WPE 2.5.pdf</a>  |

**Safety note**

|               |                                    |
|---------------|------------------------------------|
| Safety notice | <a href="#">Safety Information</a> |
|---------------|------------------------------------|

**Data sheet**

**W-Series**  
**WDU 2.5**

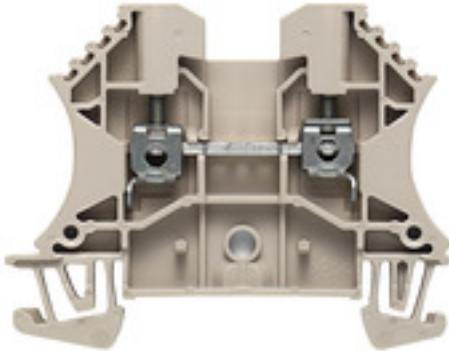
**Weidmüller Interface GmbH & Co. KG**  
Klingenbergstraße 16  
D-32758 Detmold  
Germany  
Fon: +49 5231 14-0  
Fax: +49 5231 14-292083  
[www.weidmueller.com](http://www.weidmueller.com)

**Drawings**



**W-Series**  
**WDU 2.5**

**Weidmüller Interface GmbH & Co. KG**  
 Klingenbergstraße 16  
 D-32758 Detmold  
 Germany  
 Fon: +49 5231 14-0  
 Fax: +49 5231 14-292083  
 www.weidmueller.com


**Klippon® Connect with clamping yoke Technology**

The high reliability and variety of designs of the terminal blocks with clamping yoke connections make planning easier and optimises operational safety. Klippon® Connect provides a proven response to a range of different requirements.

**General ordering data**

|            |  |
|------------|--|
| Type       | WDU 2.5  |
| Order No.  | <a href="#">1020000000</a>   |
| Version    | Feed-through terminal, Screw connection, 2.5 mm <sup>2</sup> , 800 V, 24 A, Dark Beige |
| GTIN (EAN) | 4008190099633  |
| Qty.       | 100 pc(s).   |

**W-Series**  
**WDU 2.5**

**Weidmüller Interface GmbH & Co. KG**  
 Klingenbergstraße 16  
 D-32758 Detmold  
 Germany  
 Fon: +49 5231 14-0  
 Fax: +49 5231 14-292083  
 www.weidmueller.com

**Technical data****Dimensions and weights**

|        |         |                 |            |
|--------|---------|-----------------|------------|
| Width  | 5.1 mm  | Width (inches)  | 0.201 inch |
| Height | 60 mm   | Height (inches) | 2.362 inch |
| Depth  | 46.5 mm | Depth (inches)  | 1.831 inch |
| Weight | 7 g     | Net weight      | 7.51 g     |

**Temperatures**

|                                  |        |                                  |        |
|----------------------------------|--------|----------------------------------|--------|
| Continuous operating temp., min. | -60 °C | Continuous operating temp., max. | 130 °C |
|----------------------------------|--------|----------------------------------|--------|

**Material data**

|                           |       |        |            |
|---------------------------|-------|--------|------------|
| Material                  | Wemid | Colour | Dark Beige |
| UL 94 flammability rating | V-0   |        |            |

**Rating data IECEx/ATEX**

|                                |   |                                 |                     |
|--------------------------------|---|---------------------------------|---------------------|
| Certificate No. (ATEX)         | DEMKO14ATEX1338U  | Certificate No. (IECEX)         | IECEXULD14.0005U    |
| Max. voltage (ATEX)            | 690 V   | Current (ATEX)                  | 24 A                |
| Wire cross section max. (ATEX) | 2.5 mm <sup>2</sup>   | Max. voltage (IECEX)            | 690 V               |
| Current (IECEX)                | 24 A  | Wire cross section max. (IECEX) | 2.5 mm <sup>2</sup> |
| Operating temperature range    | For operating temperature range see EC Design Test Certificate / IEC Ex-Certificate of Conformity | Marking EN 60079-7              |                     |
| Ex 2014/34/EU label            | II 2 G D  |                                 | Ex eb II C Gb       |

**System specifications**

|  |  |   |        |
|--|--|---|--------|
| Version  | Screw connection, for plug-in cross-connector, for screwable cross-connection, One end without connector | Tightening torque (clamping screw for aluminium conductors) | 0.4 Nm |
| Tightening torque (clamping screw for copper conductors) | 0.4...0.8 Nm   | End cover plate required                                    | Yes    |
| Number of potentials                                     | 1  | Number of levels  | 1      |
| No. of clamping points per level                         | 2  | Number of potentials per tier                               | 1      |
| Levels cross-connected internally                        | No   | PE connection   | No     |
| Mounting rail  | TS 35  | N-function  | No     |
| PE function  | No   | PEN function  | No     |

**2 clampable conductors (H05V/H07V) with equal cross-section (rated connection)**

|  |                     |  |                     |
|--|---------------------|--|---------------------|
| Cross-section for connected wire, solid, two clampable wires, min.   | 0.5 mm <sup>2</sup> | Cross-section for connected wire, solid, two clampable wires, max.   | 1.5 mm <sup>2</sup> |
| Wire connection cross section, finely stranded, two clampable wires, min.                                  | 0.5 mm <sup>2</sup> | Wire cross-section, finely stranded, two clampable wires, max.   | 1.5 mm <sup>2</sup> |
| Wire connection cross section, finely stranded with wire-end ferrules DIN 46228/1, 2 clampable wires, min. | 0.5 mm <sup>2</sup> | Wire connection cross section, finely stranded with wire-end ferrules DIN 46228/1, 2 clampable wires, max. | 1.5 mm <sup>2</sup> |

**Additional technical data**

|                          |       |                             |         |
|--------------------------|-------|-----------------------------|---------|
| Explosion-tested version | Yes   | Number of similar terminals | 1       |
| Open sides               | right | Type of mounting            | Snap-on |

**W-Series**  
**WDU 2.5**

**Weidmüller Interface GmbH & Co. KG**  
 Klingenbergstraße 16  
 D-32758 Detmold  
 Germany  
 Fon: +49 5231 14-0  
 Fax: +49 5231 14-292083  
 www.weidmueller.com

**Technical data****CSA rating data**

|                               |                |                               |        |
|-------------------------------|----------------|-------------------------------|--------|
| Certificate No. (CSA)         | 200039-1057876 | Current size C (CSA)          | 20 A   |
| Voltage size C (CSA)          | 600 V          | Wire cross section max. (CSA) | 12 AWG |
| Wire cross section min. (CSA) | 26 AWG         |                               |        |

**Conductors for clamping (rated connection)**

|   |                      |   |                     |
|---|----------------------|---|---------------------|
| Blade size  | 0.6 x 3.5 mm         | Clamping range, max.  | 4 mm <sup>2</sup>   |
| Clamping range, min.  | 0.05 mm <sup>2</sup> | Clamping screw  | M 2.5               |
| Connection cross-section, stranded, max.  | 4 mm <sup>2</sup>    | Connection cross-section, stranded, min.  | 1.5 mm <sup>2</sup> |
| Connection direction  | on side              | Gauge to IEC 60947-1  | A3                  |
| Number of connections   | 2                    | Stripping length  | 10 mm               |
| Tightening torque, max.   | 0.8 Nm               | Tightening torque, min.   | 0.4 Nm              |
| Torque level with DMS electric screwdriver  | 1                    | Twin wire-end ferrules, max.  | 1.5 mm <sup>2</sup> |
| Twin wire-end ferrules, min.  | 0.5 mm <sup>2</sup>  | Type of connection  | Screw connection    |
| Wire connection cross section AWG, max.   | AWG 12               | Wire connection cross section AWG, min.   | AWG 30              |
| Wire connection cross section, finely stranded, max.                                    | 4 mm <sup>2</sup>    | Wire connection cross-section, finely stranded with wire-end ferrules DIN 46228/1, max. | 2.5 mm <sup>2</sup> |
| Wire connection cross-section, finely stranded with wire-end ferrules DIN 46228/1, min. | 0.5 mm <sup>2</sup>  | Wire connection cross-section, finely stranded with wire-end ferrules DIN 46228/4, max. | 2.5 mm <sup>2</sup> |
| Wire connection cross-section, finely stranded with wire-end ferrules DIN 46228/4, min. | 0.5 mm <sup>2</sup>  | Wire connection cross-section, finely stranded, min.                                    | 0.5 mm <sup>2</sup> |
| Wire connection cross-section, solid core, max.   | 4 mm <sup>2</sup>    | Wire connection cross-section, solid core, min.   | 0.5 mm <sup>2</sup> |

**Rating data**

|                                 |                     |  |         |
|---------------------------------|---------------------|--|---------|
| Rated cross-section             | 2.5 mm <sup>2</sup> | Rated voltage                                | 800 V   |
| Rated current                   | 24 A                | Current at maximum wires                     | 32 A    |
| Standards                       | IEC 60947-7-1       | Volume resistance according to IEC 60947-7-x | 1.33 mΩ |
| Rated impulse withstand voltage | 8 kV                | Pollution severity                           | 3       |

**UL rating data**

|   |        |   |        |
|---|--------|---|--------|
| Certificate No. (UR)                    | E60693 | Conductor size Factory wiring max. (UR) | 12 AWG |
| Conductor size Factory wiring min. (UR) | 30 AWG | Conductor size Field wiring max. (UR)   | 12 AWG |
| Conductor size Field wiring min. (UR)   | 28 AWG | Current size B (UR)                     | 25 A   |
| Current size C (UR)                     | 25 A   | Voltage size B (UR)                     | 600 V  |
| Voltage size C (UR)                     | 600 V  |   |        |

**Classifications**

|            |             |            |             |
|------------|-------------|------------|-------------|
| ETIM 3.0   | EC000897    | ETIM 4.0   | EC000897    |
| ETIM 5.0   | EC000897    | ETIM 6.0   | EC000897    |
| UNSPSC     | 30-21-18-11 | eClass 5.1 | 27-14-11-20 |
| eClass 6.2 | 27-14-11-20 | eClass 7.1 | 27-14-11-20 |
| eClass 8.1 | 27-14-11-20 | eClass 9.0 | 27-14-11-20 |
| eClass 9.1 | 27-14-11-20 |            |             |



**Data sheet**

**W-Series  
WDU 2.5**

**Weidmüller Interface GmbH & Co. KG**  
 Klingenbergstraße 16  
 D-32758 Detmold  
 Germany  
 Fon: +49 5231 14-0  
 Fax: +49 5231 14-292083  
 www.weidmueller.com

**Technical data**

**Product information**

|                                 |  |
|---------------------------------|--|
| Descriptive text ordering data  | Rated voltage is 400 V when using the cross-connector.<br>For colour versions, see section on W-series Accessories                           |
| Descriptive text technical data | 2.5 mm <sup>2</sup> conductor with ferrule with plastic collar, with the collar optimised for diameter only (order No. 1333100000, QTY 500). |
| Instructions for accessories    | Ensure 2.5 mm <sup>2</sup> max. when using the WQB. Only 400 V with the use of shield bus LS 2.8 1056400000 .                                |

**Approvals**

Approvals



|      |         |
|------|---------|
| ROHS | Conform |
|------|---------|

**Downloads**

|   |  |
|---|--|
| Approval/Certificate/Document of Conformity | <a href="#">CFAT_WDU 2.5.pdf</a><br><a href="#">IECEXULD14.0005U_e.pdf</a><br><a href="#">CB Testreport</a><br><a href="#">CB Certificate</a><br><a href="#">DE_PT1001_20160414_150_ISSUE01.pdf</a><br><a href="#">ACF-ATEX_4786180920</a> |
| Brochure/Catalogue                          | <a href="#">CAT 1 TERM. 16/17 EN</a>   |
| Engineering Data                            | <a href="#">EPLAN_WSCAD_Zuken E3.S</a>   |
| Engineering Data                            | <a href="#">STEP</a>   |
| User Documentation                          | <a href="#">NTI_IECEX_WDU-WPE 2.5.pdf</a>  |

**Safety note**

|               |                                    |
|---------------|------------------------------------|
| Safety notice | <a href="#">Safety Information</a> |
|---------------|------------------------------------|

**Data sheet**

**W-Series**  
**WDU 2.5**

**Weidmüller Interface GmbH & Co. KG**  
Klingenbergstraße 16  
D-32758 Detmold  
Germany  
Fon: +49 5231 14-0  
Fax: +49 5231 14-292083  
[www.weidmueller.com](http://www.weidmueller.com)

**Drawings**

