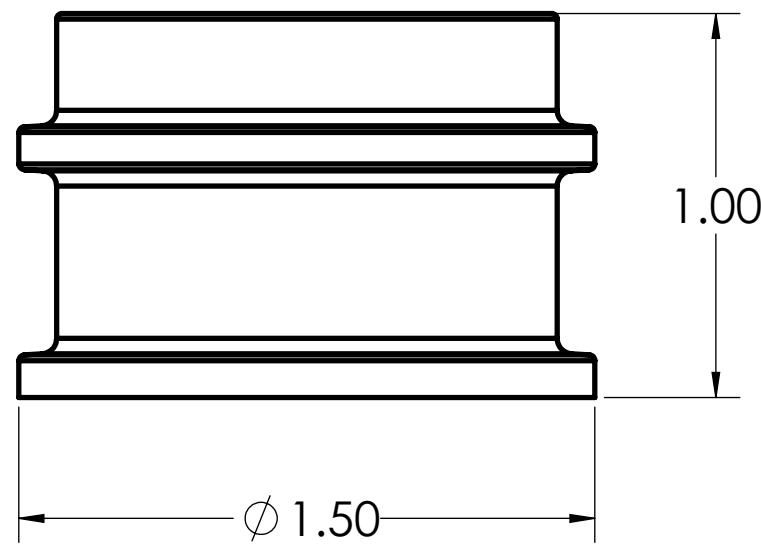
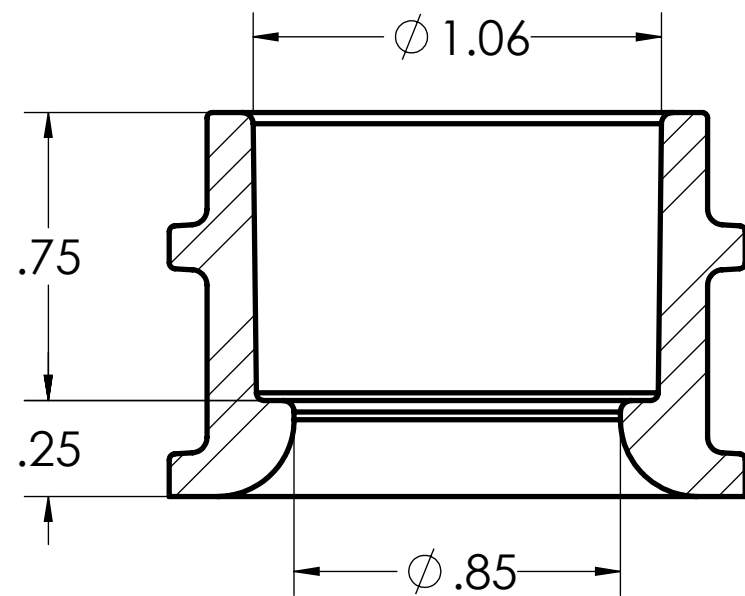
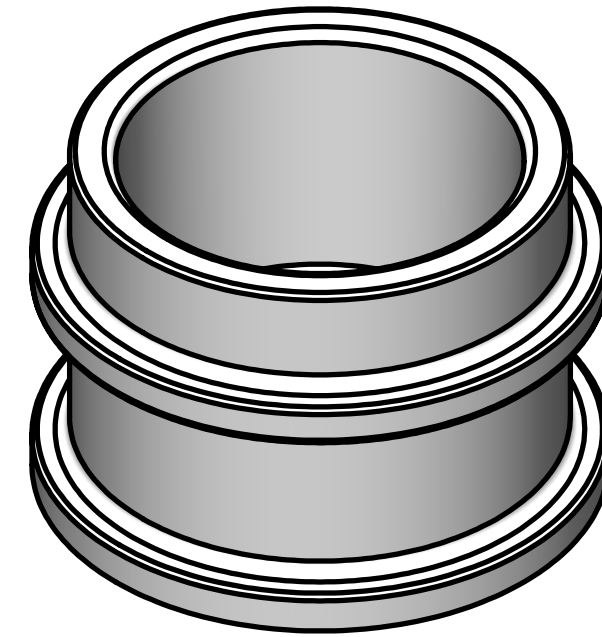
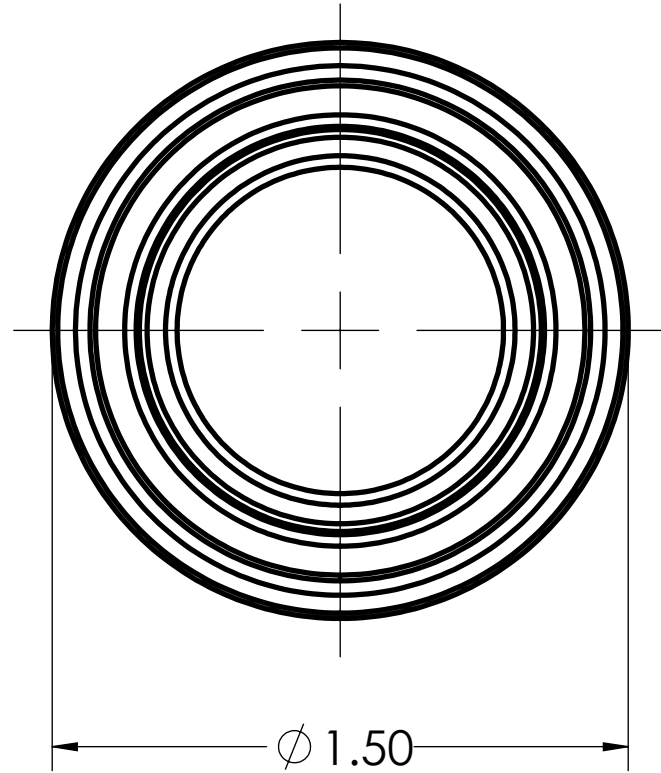


DIMENSIONS SHOWN ARE FOR REFERENCE AND ARE SUBJECT TO CHANGE WITHOUT NOTICE

Kraloy, a Division of Multi Fittings Corp.
under license

PART DESCRIPTION
MEB07 3/4" PVC MLD END BELL KRALOY

PRODUCT CODE: 078289	UNIT: INCHES UNLESS DUAL DIMENSION: INCH [METRIC]	SCALE: NTS
DRAWN: S.I.		



DIMENSIONS SHOWN ARE FOR REFERENCE AND ARE SUBJECT TO CHANGE WITHOUT NOTICE

Kraloy, a Division of Multi Fittings Corp.
under license

PART DESCRIPTION

MEB07 3/4" PVC MLD END BELL KRALOY

PRODUCT CODE:
078289

UNIT: INCHES UNLESS
DUAL DIMENSION: INCH [METRIC]

SCALE:
NTS

DRAWN: S.I.