

DIMENSIONS SHOWN ARE FOR REFERENCE AND ARE SUBJECT TO CHANGE WITHOUT NOTICE

**IPEX Technologies Inc.**

*PART DESCRIPTION*

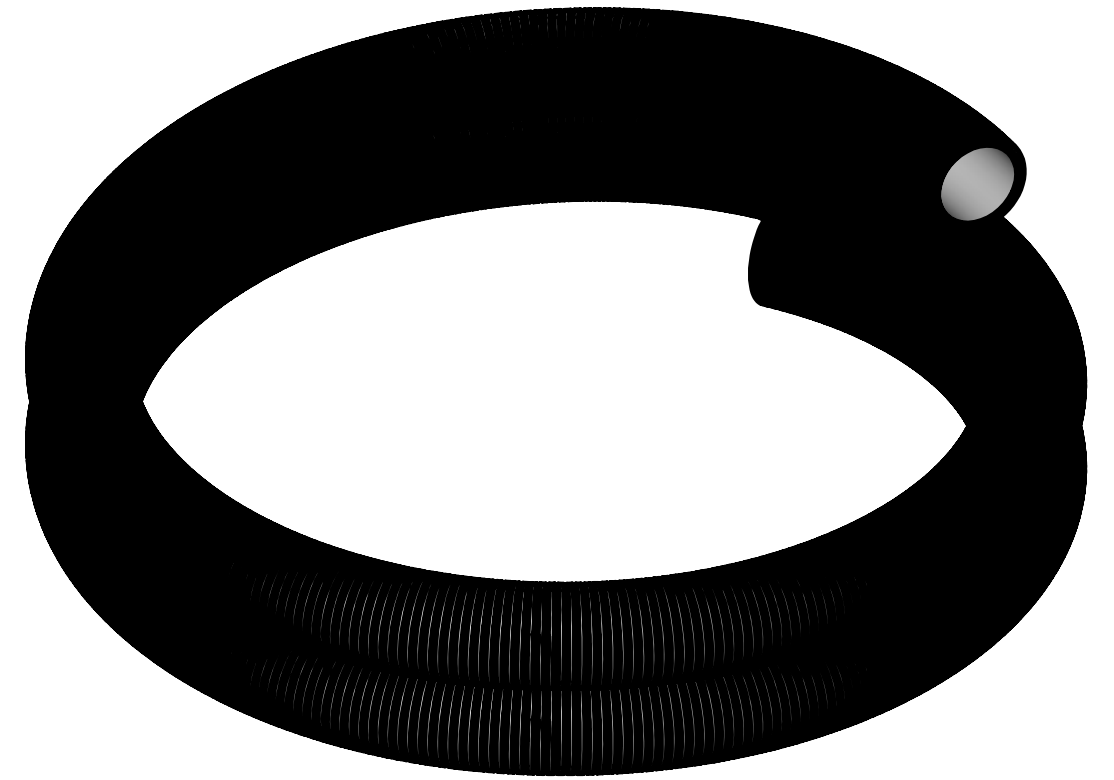
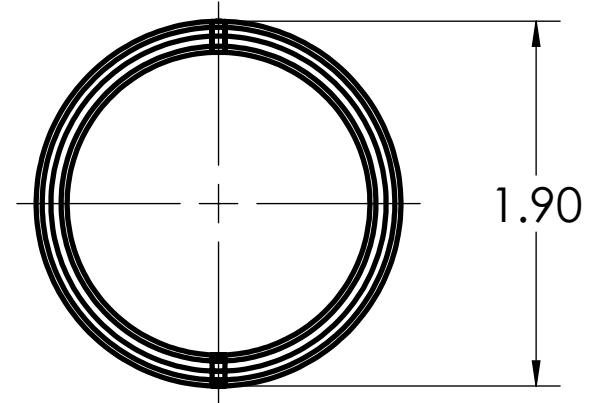
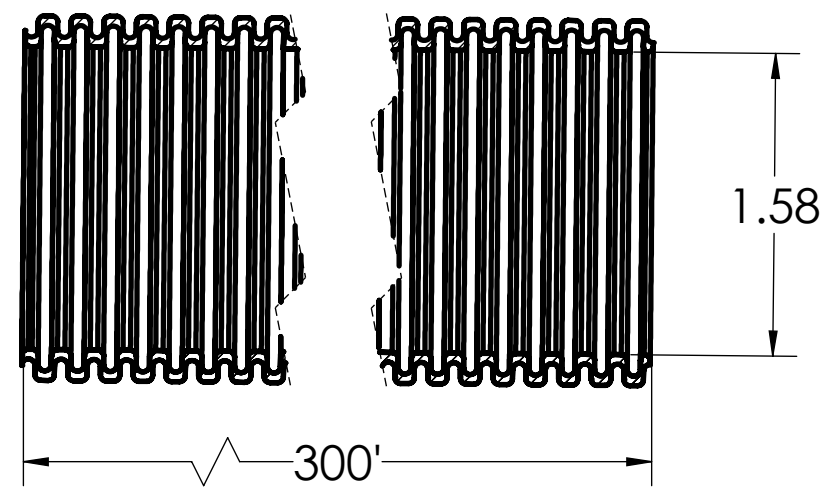
1 1/2"x300' PVC CSA/UL GREY COR-LINE ENT/KWIKON ENT COIL

*PRODUCT CODE:*  
012032

*UNIT: INCHES UNLESS  
DUAL DIMENSION: INCH [METRIC]*

*SCALE:*  
NTS

*DRAWN:* S.I.



DIMENSIONS SHOWN ARE FOR REFERENCE AND ARE SUBJECT TO CHANGE WITHOUT NOTICE		
<b>IPEX Technologies Inc.</b>		
<i>PART DESCRIPTION</i> 1 1/2"x300' PVC CSA/UL GREY COR-LINE ENT/KWIKON ENT COIL		
<i>PRODUCT CODE:</i> 012032	<i>UNIT: INCHES UNLESS</i> <i>DUAL DIMENSION: INCH [METRIC]</i>	<i>SCALE:</i> NTS
<i>DRAWN:</i>	S.I.	